

YOUR HOME IN ORDER  
THATS WHAT WE STRIVE FOR



PRODUCT  
CATALOGUE  
2024

Fittings  
for Furniture  
Production

### About us

Aristo is one of the leading suppliers and manufacturers of aluminium profiles, fittings and accessories for sliding door wardrobes, interior partitions, dressing rooms and shelf storage systems.

In more than 20 years of fruitful work on the furniture fitting market the company has taken a leading part in sliding and meshed storage systems segment and has proved itself as a reliable supplier and a high quality products manufacturer.

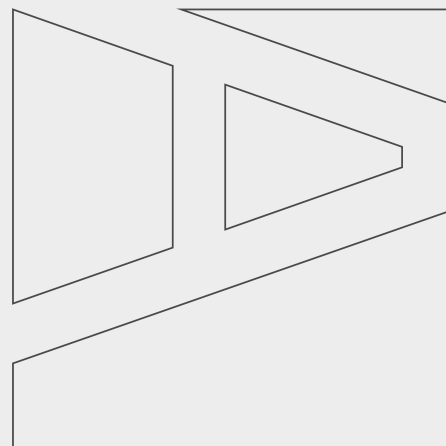
A recognized brand, proven reputation, high-tech production, efficient logistics, vast franchise and distribution networks all over the world have made Aristo a top company on the furniture market.

### Our Benefits

- Best quality guaranteed
- In-house manufacture and quality control
- Continuous availability of stock
- Latest solutions
- Transparent pricing policy
- Available training
- Technical support

### Our Mission

We strive for the development of high-quality storage solutions to bring coziness and comfort to every home.



## CONTENTS

Standard System .....	4
WAVE System .....	38
NOVA System.....	50
Facade Frame System .....	72
/ EDGE System.....	74
/ EDGE MAX System.....	78
/ INTUIT.....	84
/ LED Accessories for Wardrobe.....	86
/ Aluminium LED-Shelf.....	88
/ Aluminium Rod.....	92
/ Facade Frames.....	94
/ GOLLA System.....	98
/ Plinth.....	104
4 in 1 System.....	106
/ Top Hung System.....	110
/ Folding System.....	144
/ Pivot System.....	152
/ Fixed Partition.....	166
GRACE System.....	172
/ Top Hung System.....	174
/ Fixed Partition.....	188
Shelf System.....	194
QB System.....	200
Storage System.....	206
Utility Room Storage System.....	232



## The advantages of our products

For 20 years already Aristo has been producing and supplying component parts from primary aluminum and fittings for sliding wardrobes, interior partitions and walk-in closets. A wide range of items and a large stock make it possible to create made-to-order designs. More than 30 tons of products are shipped from our warehouses daily.

Our company is focused on continuous improvement of technologies and progressive methods of work.

Thanks to its vast experience Aristo designs, manufactures and erects aluminum structures of any design and complicity.

The warranty life of the products is 30 years which is an indisputably strong proof of the quality of our products.

We are proud that the fittings developed by Aristo know no equals and many item names first appeared in the International market thanks to us. The mechanisms and tracks we use make it possible to perform up to 110 000 door opening - closing cycles during the service life that makes according to the factory tests about 30 years lasting performance (with 10 openings - closings daily).

Anodized profiles including those with additional coating of cathaphoretic varnish (glossy ones) are produced on expensive Japanese vertical production lines.

The profiles processed on the unique vertical production lines have the following advantages:

The production lines are fully automatic. All processing parameters (time, temperature, current strength, moving of profiles between the baths) are controlled and regulated by the computer thus guaranteeing uniformity and consistency of the product quality;

- Vertically mounted profiles, when moving between the baths, do not keep air bubbles and get solutions flow down preventing stains on the coatings;
- Chemical alignment makes the surface of the profiles smooth and velvety.

- Our equipment gives an unavailable at other production facilities opportunity of using unique colorants. For example, Champagne and Bronze finishes by Aristo have a more attractive «warm» color unlike profiles produced on widespread horizontal production lines.

Profiles with white and black finishes are painted with the best European polymer powder paints on Swiss vertical automatic production lines.

Advanced technologies, high quality materials and highly qualified experienced staff guarantee high level of the finished product. Besides, Aristo carries out a strict quality control of products coming from foreign partners.

Our company has an extensive network of partners that makes Aristo products available all over the world.

Dear Colleagues,

Aristo has switched to a new system of product codes:

	1	2	3	4	5	6	7	8	9	10	11	12	13	14	15	16	17	18	19	20	21
	A	S	0	1	2	3	.	A	P	5	4	0	.	A	B	C	D	E	.	R	R
System	Aristo AA		Product code							Length			Color / Finish / Tech.					Country			
Aristo Standard	AS								000 - at the discretion			Silver Matt SLMAN					00 - at the discretion				
Aristo Wave	AV								172 1720 mm			Gold Matt GLMAN					RR				
Façade Frame	DA	Modification version							540 5400 mm			Bronze Glossy BZGED					CI				
Edge System	DE	At the discretion of the warehouse - 0										Wenge Dark WDRPV					CH				
4 in 1	FA	The initial version - V										Pearl Grey PGQPV					ES				
FF	4 in 1 Folding System	A							SKU			Ivory IVMPP					...				
FP	4 in 1 Pivot System	B							P Pc												
FX	4 in 1 Fixed Partition	C							R Pair of pcs												
NB	Nova 16 mm	D							S Set												
NC	Nova 18 mm	...							M Meter												

Examples:

AS0533.VP540.WDRPV.RA

System	AS	Aristo Standard
Product code	0533	Stile Flat
Version	V	The original
Set	P	Pc
Length	540	5400 mm
Decor	WDRPV	Wenge Dark
Country	RA	Russia

AV0457.BP540.SLMAN.CJ

System	AV	Aristo Wave
Product code	0457	Double top track
Version	B	Version №3
Set	P	Pc
Length	540	5400 mm
Decor	SLMAN	Silver Matt
Country	CJ	China

NA0480.VP540.CHGED.CJ

System	NA	Nova
Product code	0480	Connecting profile
Version	V	The original
Set	P	Pc
Length	540	5400 mm
Decor	CHGED	Champagne Glossy
Country	CJ	China

WA0284.VP195.MG0PC.RA

System	WA	Wardrobe System
Product code	0284	Top-hung rail
Version	V	The original
Set	P	Pc
Length	195	1948 mm
Decor	MG0PC	Metallic
Country	RA	Russia

# Standard System

Our long-tested and fully advanced basic sliding solution.

Standard System is a recommended basic line of the profiles. It is the embodiment of reliability and a base for any imaginable experiments. It features a wide color range, unique geometry, big sizes of doors and quality warranty.




  
**3200** mm  
Max door height

  
**500-1500** mm  
Door width

  
up to **100** kg  
Door weight

  
Soft closer for smooth door closing

  
Cut-in lock

  
Two axis adjustment



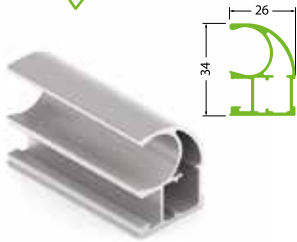
How to choose  
a sliding door



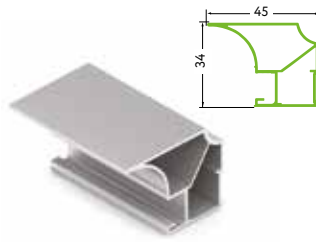
Interior:

*Stile C*  
*Anthracite Color*  
*Standard Sliding System*

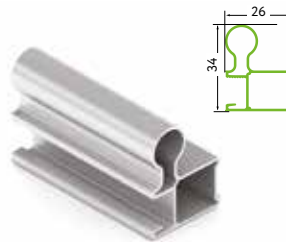
Standard System. Profile Range



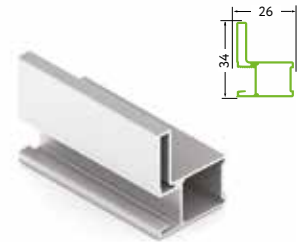
AS0010.BP540  
**Stile C**  
10 pcs in the package



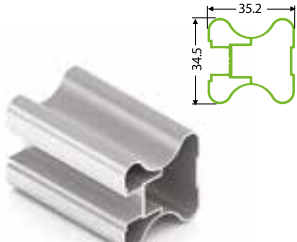
AS0533.VP540  
**Stile Flat**  
8 pcs in the package



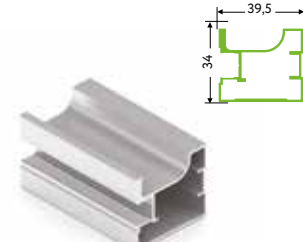
AS0482.VP540  
**Stile O**  
10 pcs in the package



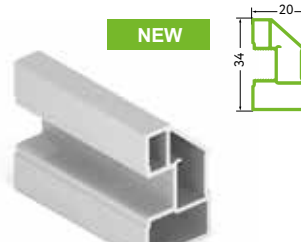
AS0639.VP540  
**Stile I**  
10 pcs in the package



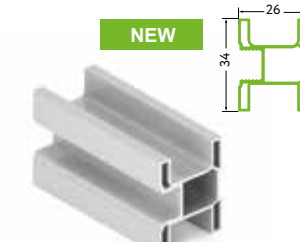
AS0008.DP540  
**Stile H**  
10 pcs in the package



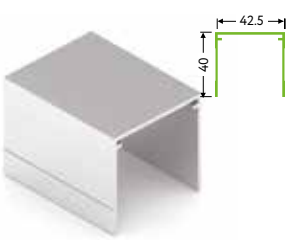
FA0413.VP540  
**Stile Fusion**  
8 pcs in the package



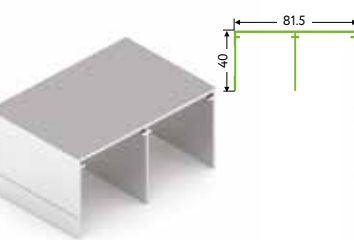
AS0791.VP540  
**Stile Obverse**  
10 pcs in the package



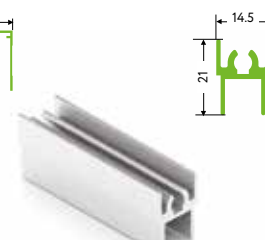
AS0750.VP540  
**Stile Smart**  
10 pcs in the package



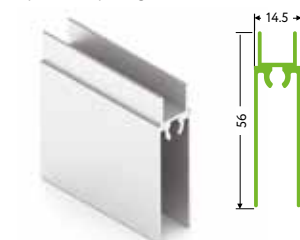
AS0714.VP540  
**Single Top Track**  
8 pcs in the package



AS0713.VP540  
**Double Top Track**  
10 pcs in the package



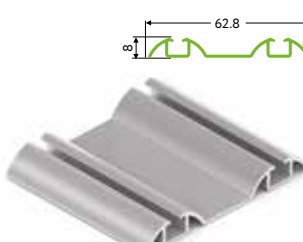
AS0004.VP540  
**Top Rail**  
10 pcs in the package



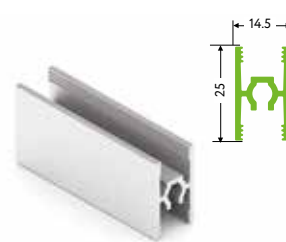
AS0006.VP540  
**Bottom Rail**  
10 pcs in the package



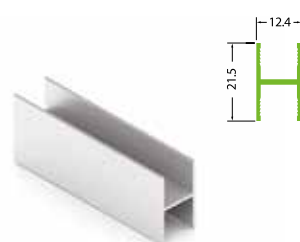
AS0108.AP540  
**Single Bottom Track**  
8 pcs in the package



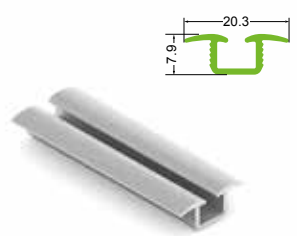
AS0504.VP540  
**Double Bottom Track**  
10 pcs in the package



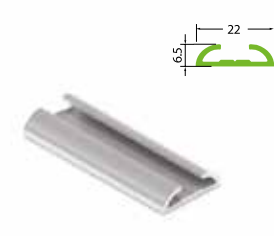
AS0640.VP540  
**Dividing Rail**  
10 pcs in the package



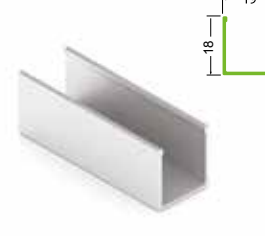
AS0216.AP540  
**Dividing Rail w/o Screw**  
10 pcs in the package



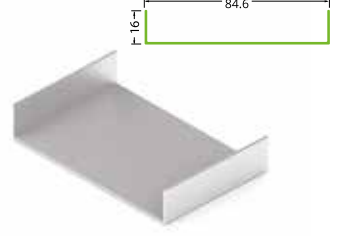
AS0690.VP540  
**Recessed Single Bottom Track**  
8 pcs in the package



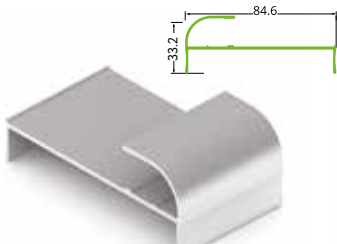
AS0044.VP540  
**Pivot Track**  
10 pcs in the package



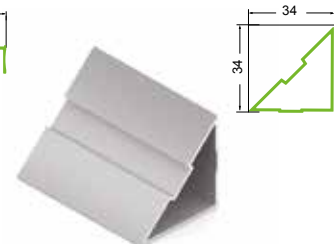
AS0460.VP540  
**U Profile**  
10 pcs in the package



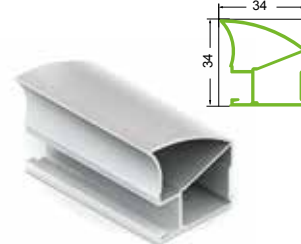
AS0459.VP540  
**Straight Molding**  
10 pcs in the package



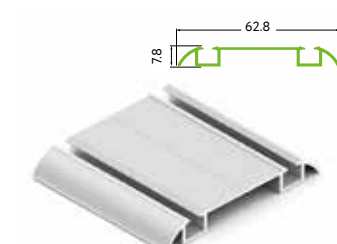
AS0458.VP540  
**Rounded Molding**  
10 pcs in the package



FA0427.AP540  
**Corner Profile**  
8 pcs in the package

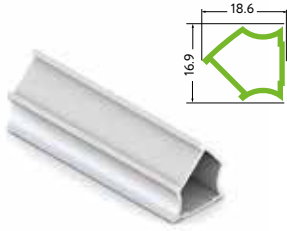


AS0484.VP540  
**Stile Contour**  
8 pcs in the package

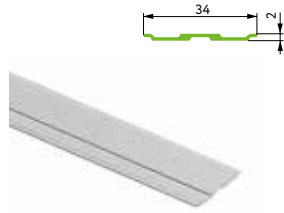


AS0403.VP540  
**Double Bottom Track 403**  
10 pcs in the package

Standard System. Profile Range



AS0461.VP540  
**Multipurpose Corner Profile**  
 10 pcs in the package

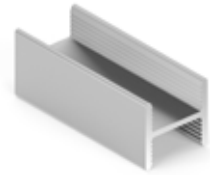


AS0591.VP540  
**Decorative Plate**  
 20 pcs per pack



NEW

AS0819.VP540  
**Stile TWELVE**  
 10 pcs in the package



NEW

AS0820.VP540\*  
**Dividing Rail TWELVE**  
 10 pcs in the package

\* Used together with the gaskets AV0064.VM100, AV0063.VM100, AV0069.VM100

Standard System. Color Chart. Anodizing and Powder Coating (EXW China).



Gold Matt



Silver Matt



Champagne Matt



Champagne Glossy



Black Matt



White Matt



Silver Glossy



Ivory Glossy



Bronze Glossy



Wooden colour

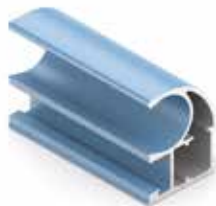


Black Sandy



Bronze Matt

Standard System. Color Chart. Powder Coating (EXW China). "Kingdom of Stones" Collection.



Aquamarine



Green Agate



Black Onyx



Brown Topaz



Milk Opal



Moonstone





White Ash



Oak Smoky



Oak Naples



Oak Country



Walnut Noble



Wenge Dark



Oak Grey



Anthracite



Pearl Grey



Pearl Rosy



Polar White

NEW



Milk Satin

NEW



Cashmere Vanilla

NEW



Cashmere Grey

NEW



Velvet Dark

NEW



Graphite Green

NEW



Cashmere Black

NEW



Interior:

*Stile C  
Karelian Birch Color  
Standard Sliding System*



### Anodizing Finish

The anode treatment via chemical reactions creates a thin oxide film on the surface of the aluminum.

This additional layer protects the surface from mechanical damage and corrosion, allows you to paint the product according to your requirements, and also gives a profile a noble look.

- The thickness of Aristo anodization makes for glossy profiles not less than 16 microns and for matt ones not less than 10 microns.
- The coating is scratch-resistant and doesn't get dirty in operation.
- The color remains pure and consistent with every batch.



### PVC Coating

This technology coats the surface of an aluminium profile with various decorative PVC films. The method gives freedom to apply different textures and patterns on a standard aluminium profile.

- Aristo profiles use only German and Japanese films of the highest quality certified according to European standards 180 microns thick.
- Barberan Spanish modern production line Provides coating regularity.
- The PVC film offers a high level of damage resistance in operation: colors do not fade with time and it has immune to cleaning agents and UV-rays affecting.



### Powder Coating

For achieving a high-quality polymer powder coating surface we only use state-of-the-art automated lines.

- The coating is damage-resistant and we pay special attention to the protection of the surface whilst production and transportation.
- We guarantee color stability from batch to batch.

NEW



AS0000.VS000

**Pivot Adjustable**

In the package: the base of the mechanism; top mortgage; bottom mortgage; screw; plastic mortgage; self-tapping screw; lock nut - 2 pcs; plug - 2 pcs; Euro screw - 6 pcs  
Colors: gold, silver, black, white, champagne, brown.  
60 pcs per pack

NEW



AS0160.VS000, AS0161.VS000

**Rollers Set**

The set includes: top roller - 2 pcs; bottom roller - 2 pcs; screws - 4 pcs, adjusting screws - 2 pcs, protective cap - 1 pc.  
100 sets per pack

AS0162.VS000

**Rollers Set TWELVE**

The set includes: top roller - 2 pcs; bottom roller - 2 pcs; screw - 4 pcs; adjusting screw - 2 pcs; protective cap - 1 pc; plate - 1 pc.  
100 sets per pack

AA0230.VR000; AA0250.VR000; AA0270.VR000

**Universal Soft Closers for Sliding Door**

The set includes:  
soft closer, right - 1 pc; soft closer, left - 1 pc; recurrent plate - 2 pcs; screws 4\*16 - 8 pcs; plate "60470" - 2 pcs; screws 4\*9 - 2 pcs; attachment element - 2 pcs; additional spring "10-15kg" (only for "10-30kg" and 30-50kg sets) - 2 pcs; additional spring "50-70kg" (only for "30-50kg" sets);  
1,5 mm plate - 2 pcs  
25 pcs per pack.

NEW



AS0003.VP000

**Top Track Stopper Self-adhesive**

2 pcs per set  
20 pcs per pack

NEW



AS0071.VS000

**Top Security Roller**

100 pcs per pack

AS0103.VP000

**Bottom Track positioner crown**

100 pcs per pack



AS0101.VP000

**Bottom Track Positioner**

100 pcs per pack



AA0493.VP000.ZN0EP.CO

**Middle door soft closer AIR**

In the kit: soft closer 1 pc, actuator for a middle door 1 pc



AA1123.VR000.ZN0EP.CO

**Soft closer for one-line doors AIR**

In the kit: soft closer 1 pc, actuator for one-line doors 1 pc



AA0040.VP000.IN0EP.CO

**Weather Strip Clip 9x5, Inox**

100 pcs per pack



AA0040.VP000.BK000.CO

**Weather Strip Clip 9x5, Black**

100 pcs per pack



AS0102.VP000

**Bottom Track Stopper**

200 pcs per pack



AS0001.AP000.TR000.CY

**Top Track Positioner**

125 pcs per pack



AS0026.VP000

**Double Top Track End Cover, Metal**

Colors: gold, silver, champagne, bronze, white, black



AS0025.VP000

**Single Top Track End Cover, Metal**

Colors: gold, silver, champagne, bronze, white, black



AS0030.VP000

**Single Bottom Track End Cover, Metal**

Colors: gold, silver, champagne, bronze, black, white  
10 pcs per pack



AS0029.VP000

**Double Bottom Track End Cover, Metal**

Colors: gold, silver, champagne, bronze, black, white  
10 pcs per pack



AS0501.VS000

**Magnetic Latch W/Base**

1/500 pcs per pack



AS0502.VS000

**Magnetic Push Latch W/ Base**

1/500 pcs per pack



AA8884.VM200, AA8885.VM240, AA8886.VM250, AA8888.VM320  
**Silicon Gasket U Shape**  
 4 mm - 200 m/roll  
 5 mm - 240 m/roll  
 6 mm - 250 m/roll  
 8 mm - 320 m/roll



AA0100.VM500  
**Dust Protection Gasket**  
 500m/roll



AA0084.VM100  
**Silicon Gasket U Shape, Multi-purpose**  
 Colors: black, transparent  
 4 mm, 100 m/roll



AV0064.VM100, AV0063.VM100, AV0069.VM100  
**Gasket U shape, PVC, low, 4 mm, 5 mm, 8 mm**  
 Color: transparent, black  
 100 m/roll



AA0010.VR000  
**Top Track Corner Joints**  
 10/400 pcs per pack



AA0011.VR000  
**Bottom Track Corner Joints**  
 10/400 pcs per pack



AA0956.VM200  
**Weather Strip, 9x5**  
 Height - 5 mm, Width - 9 mm, 200 m/roll



AA0104.VM200  
**Weather Strip PU**  
 Colors: white, grey, brown, black  
 200 m/roll



FH0101.VP000  
**Lock Fusion for Two-level Doors**  
 Colors: silver, bronze, white, black, champagne, black sandy  
 1 pc. per pack



AS0813.VP000  
**Lock for Asymmetrical Stiles**  
 Colors: silver, gold, champagne, white, black  
 1/100 pcs per pack



AS0812.VP000  
**Universal Lock for Sliding Doors**  
 Colors: silver, gold, champagne, white, black  
 1/100 pcs per pack



AA0037.VP000  
**Overhead Handle**  
 180x40x10 mm  
 Colors: silver matt, white matt, champagne matt, black matt, champagne glossy, gold glossy

NEW



AS0052.VP000  
**End Cover C**  
 Colors: gold, silver, champagne, bronze, black  
 100 pcs per pack



AS0053.VP000  
**Hole Cover, Self-adhesive**  
 Colors: gold, silver, champagne, bronze, black  
 100 pcs per pack



AS0022.VP000  
**Single Bottom Track End Cover, Plastic**  
 Colors: gold, silver, champagne, bronze  
 1/10 pcs per pack



AS0027.VP000  
**Double Top Track End Cover, Plastic**  
 Colors: gold, silver, champagne, bronze  
 1/10 pcs per pack



AS0111.VS000  
**Pivot Set**  
 2 pcs per set  
 20/500 sets per pack



AA0075.VP000, FA0646.VP000  
**Screw 6x30/6x40**  
 5000 pcs per pack

Standard System. Matrix for Combining the Weather Strips to the Various Profiles

AA0956.VM200.WH000 White	AA0956.VM200.BR000 Brown	AA0956.VM200.GR000 Grey
White Matt White Ash Ivory Glossy	Wenge Dark Bronze Matt	Silver Matt Champagne Matt Champagne Glossy Oak Naples Oak Grey Pearl Grey Anthracite Graphite Green Cashmere Grey Velvet Dark
AA0956.VM200.BZ000 Bronze	AA0956.VM200.GL000 Gold	AA0956.VM200.BK000 Black
Bronze Glossy	Gold Matt	Black Sandy Cashmere Black



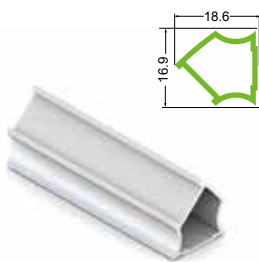
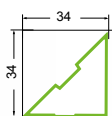
## New Opportunities – The Ideal Corner

The corner profile enables junctions at 45°, 90° and 135°. The connectors help you to connect the tracks at 90°. The installation is easy: FA0427.AP540 is used together with the Stile Fusion in the Standard System and the «4 in 1» System. AS0461.VP540 can be used with all other stile types by connecting it to the gap for the weather strip.

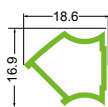
### Corner Solution



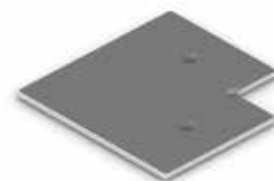
**FA0427.AP540**  
**Corner Profile**  
10 pcs in the package



**AS0461.VP540**  
**Multipurpose Corner Profile**  
10 pcs in the package



**AA0011.VR000**  
**Bottom Track Corner Joints**  
10/400 pcs per pack

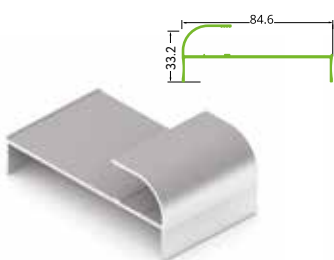


**AA0010.VR000**  
**Top Track Corner Joints**  
10/400 pcs per pack

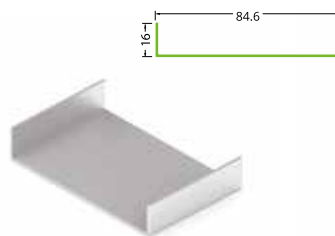


## Extra Opportunities – The Perfect Doorway

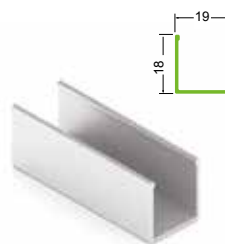
Even if your walls or doorways are not even, we can help you out with a set of special accessories. They are designed to correct and cover uneven walls, floors and ceilings. They can add the final touch to a flawless design of built-in wardrobes.



AS0458.VP540  
**Rounded Molding**  
10 pcs in the package



AS0459.VP540  
**Straight Molding**  
10 pcs in the package



AS0460.VP540  
**U Profile**  
10 pcs in the package



Weather-strip  
Pin Installation



Top Rail  
Positioner  
Installation



Installation of  
the Swinging  
Mechanism

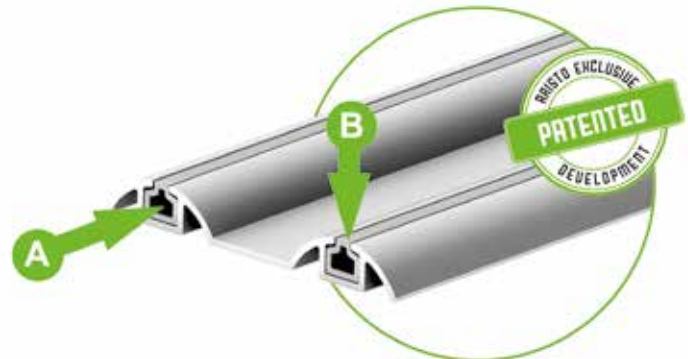


Silver Matt	Gold Matt	Champagne Matt	Champagne Glossy	Bronze Glossy	Bronze Matt
White Matt	Oak Country	Oak Naples	Oak Naples	Walnut Noble	Wenge Dark
Oak Smoky	Walnut Noble				Oak Grey
Anthracite	Oak Naples				Oak Black
Pearl Grey	White Ash				Wenge Dark
Pearl Rosy					
Ivory Glossy					

Standard System. Dust Protection Gasket

- Multifunctional**  
The gasket matches all colors and the whole product range of Aristo profiles.
- Aesthetic**  
It covers the grooves of the bottom track, giving them a finished look.
- Smooth**  
It lets the doors slide smoothly and prevents them from moving autonomously.
- Protective**  
It stops the dust from collecting in the grooves of the bottom track.

Calculation of the Length of the Dust Protection Gasket	
Track type	Calculation
Single Bottom Track	L Gasket = L Track + 20 mm
Double Bottom Track	L Gasket = L Track * 2 + 40 mm



**A** Gasket Installation Before the Bottom Track Assembly

The first option is to insert the dust protection gasket in the bottom track before installation. Pull the gasket along the track's entire length.

**B** Gasket Installation After the Bottom Track Assembly

The second option is to insert the dust protection gasket into the groove of the bottom track after installing it. Pull the gasket along the track's entire length



It is recommended to install the dust protection gasket along the whole track. Use top track positioner and soft closers to fix the door in the required position.

Adding the dust protection gasket to the bottom track

## Rollers

### Bottom Rollers

All of our rollers are made from the most durable materials available. The bottom rollers use state-of-the-art metal bearings. They do not require lubrication and provide silent and super-smooth running of doors. Our customer's experience has shown that you can fully rely on the strength and durability of our rollers.

At the moment, the rollers are amongst the best in the world. The maximum load that one bottom roller can carry is up to 50kg.

The mechanisms and systems by Aristo allow you to carry out up to 110.000 open-close cycles throughout their lifetime.

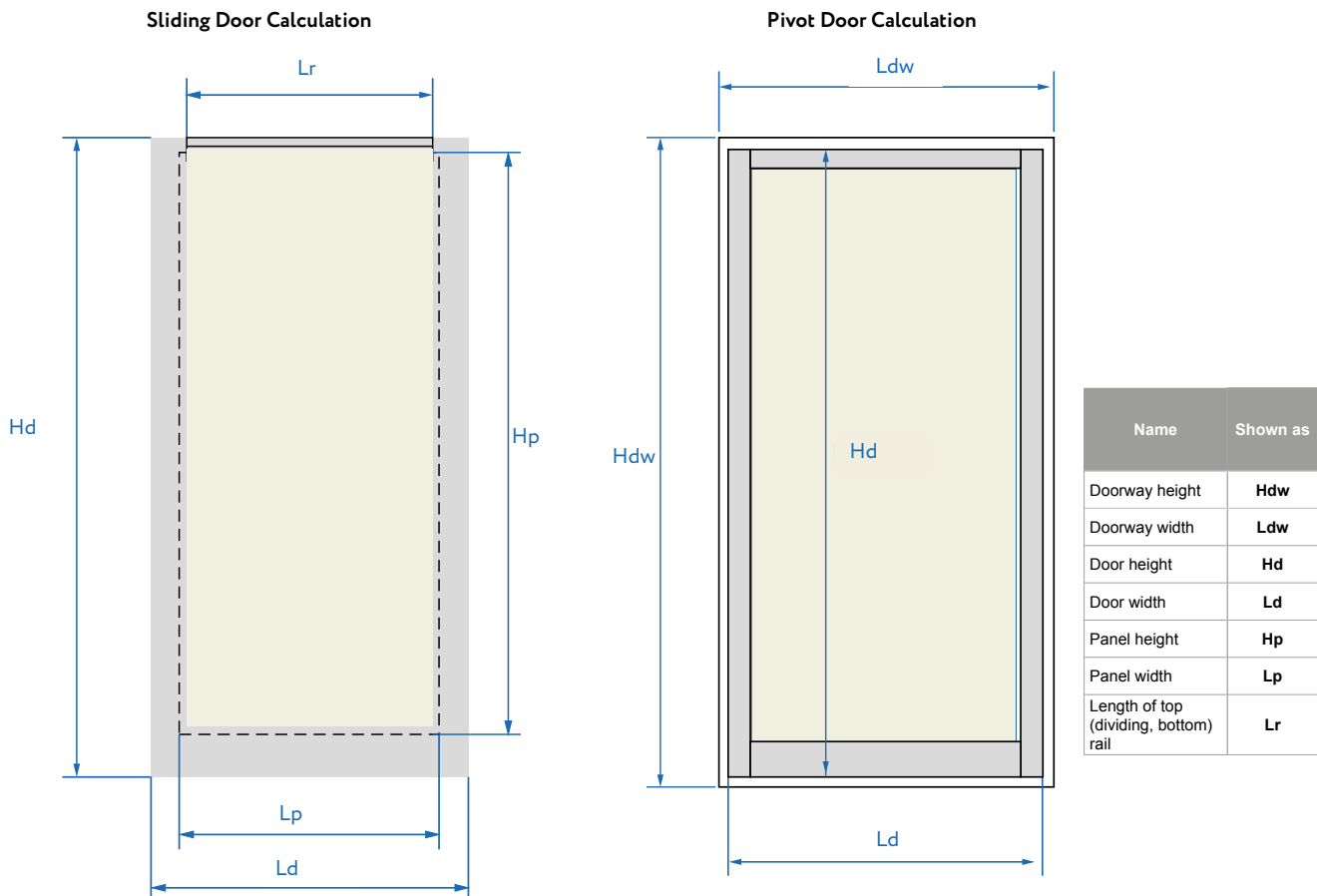
This adds up to approx. 30 years at the rate of 10 cycles daily (according to independent factory tests).



### Top Rollers (patented)

We have constantly increased our rollers' durability and we guarantee you an easy and precise placement inside the tracks. The wheels are strictly parallel to the top-side of the door. Therefore, the doors move smoothly and silently. The quality of our rollers guarantee easy movements throughout the entire period of operation.

## Sliding System. Door Size Calculation



### PERMISSIBLE SIZE AND WEIGHT OF DOORS AND PARTITIONS

	Door height, mm	Door width, mm	Door weight, kgs
Standard Sliding Doors*	up to 3200	500-1500	up to 100
Standard Pivot Doors	up to 2700	up to 500	up to 25
Standard Pivot Doors with a New Universal Pivot Mechanism	up to 3200	up to 900	up to 40

\* For sliding doors and partitions the permissible height-to-width ratio is recommended to be 3:1, max. 4:1.

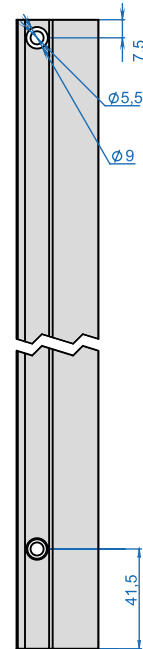
For formulas, please check the following pages



Pivot System

DOOR SIZE CALCULATION		
Name	Sign	Formula
Door height	<b>Hd</b>	$Hd = Hd_w - 30 \text{ mm}$
Door width	<b>Ld</b>	$Ld = Ld_w - 6 \text{ mm}$

Making the Holes: Drilling Scheme for the Stiles of the Pivot System



Sliding System

DOOR SIZE CALCULATION		
Name	Sign	Formula
Door height	<b>Hd</b>	$Hd = Hd_w - 40 \text{ mm}$
Door height with door soft closer	<b>Hd</b>	$Hd = Hd_w - 45 \text{ mm}$
Rails length	<b>Lr</b>	$Lr = Ld_w$

DOOR WIDTH CALCULATION ACCORDING TO THE QUANTITY AND LOCATION				
Door qty	Mode	Sign	Formula (without weather strip)	Formula (with weather strip)
2 pcs		<b>Ld</b>	$Ld = (Ld_w + 25 \text{ mm})/2$	$Ld = (Ld_w + 15 \text{ mm})/2$
3 pcs			$Ld = (Ld_w + 50 \text{ mm})/3$	$Ld = (Ld_w + 40 \text{ mm})/3$
4 pcs			$Ld = (Ld_w + 75 \text{ mm})/4$	$Ld = (Ld_w + 65 \text{ mm})/4$
4 pcs			$Ld = (Ld_w + 50 \text{ mm})/4$	$Ld = (Ld_w + 30 \text{ mm})/4$
5 pcs			$Ld = (Ld_w + 100 \text{ mm})/5$	$Ld = (Ld_w + 90 \text{ mm})/5$

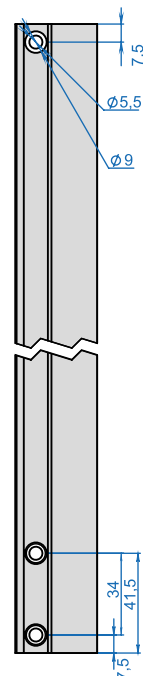
Pivot And Sliding Systems

LENGTH CALCULATION OF THE HORIZONTAL PROFILES		
Name	Sign	Formula
Length of top (dividing , bottom) rails	<b>Lr</b>	$Lr = Ld - 52 \text{ mm}$

Making the Holes: Drilling Scheme for the Stiles of the Sliding System

CALCULATION OF PANEL HEIGHT		
Panel type	Sign	Formula
Chipboard, 10 mm	<b>Hip</b>	$Hip = Hd - 57 \text{ mm}$
Chipboard, 8 mm	<b>Hip</b>	$Hip = Hd - 59 \text{ mm}$
Glass (Mirror), 4 mm	<b>Hip</b>	$Hip = Hd - 60 \text{ mm}$

CALCULATION OF PANEL WIDTH		
Panel type	Sign	Formula
Chipboard, 10 mm	<b>Lip</b>	$Lip = Ld - 36 \text{ mm}$
Chipboard, 8 mm	<b>Lip</b>	$Lip = Ld - 38 \text{ mm}$
Glass (Mirror), 4 mm	<b>Lip</b>	$Lip = Ld - 39 \text{ mm}$



Dividing Rail

One dividing rail with screw reduces height and width of the panel in possible combinations to the following values:		
Chipboard (10 mm) / Chipboard (10 mm)	Chipboard (8 mm) / Chipboard (8 mm)	Mirror (4 mm) / Mirror (4 mm)
<b>9 mm</b>	<b>11 mm</b>	<b>12 mm</b>
Chipboard (8 mm) / Chipboard (8 mm)	Chipboard (10 mm) / Mirror (4 mm)	Chipboard (8 mm) / Mirror (4 mm)
<b>10 mm</b>	<b>10.5 mm</b>	<b>11.5 mm</b>

One dividing rail with screw reduces height and width of the panel in possible combinations to the following values:		
Chipboard (10 mm) / Chipboard (10 mm)	Chipboard (8 mm) / Chipboard (8 mm)	Mirror (4 mm) / Mirror (4 mm)
<b>2 mm</b>	<b>4 mm</b>	<b>5 mm</b>
Chipboard (10 mm) / Chipboard (8 mm)	Chipboard (10 mm) / Mirror (4 mm)	Chipboard (8 mm) / Mirror (4 mm)
<b>3 mm</b>	<b>3.5 mm</b>	<b>4.5 mm</b>

Sliding System

DOOR SIZE CALCULATION FOR SLIDING SYSTEM		
Name	Sign	Formula
Door height	Hd	Hd = Hdw - 40 mm
Door height with door soft closer	Hd	Hd = Hdw - 45 mm
Rails length	Lr	Lr = Ldw

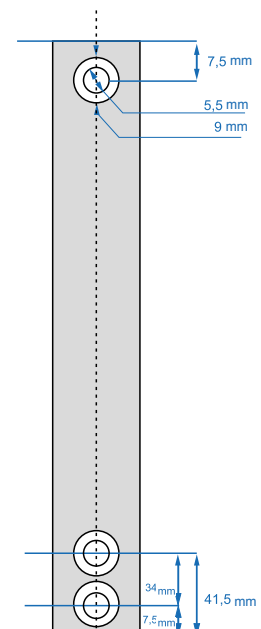
DOOR WIDTH CALCULATION ACCORDING TO THE QUANTITY AND LOCATION				
Door qty	Mode	Sign	Formula (without weather strip)	Formula (with weather strip)
2 pcs		Ld	$Ld = (Ldw + 35 \text{ mm})/2$	$Ld = (Ldw + 25 \text{ mm})/2$
3 pcs			$Ld = (Ldw + 70 \text{ mm})/3$	$Ld = (Ldw + 60 \text{ mm})/3$
4 pcs			$Ld = (Ldw + 105 \text{ mm})/4$	$Ld = (Ldw + 95 \text{ mm})/4$
4 pcs			$Ld = (Ldw + 70 \text{ mm})/4$	$Ld = (Ldw + 50 \text{ mm})/4$
5 pcs			$Ld = (Ldw + 140 \text{ mm})/5$	$Ld = (Ldw + 130 \text{ mm})/5$

LENGTH CALCULATION OF THE HORIZONTAL PROFILES		
Name	Sign	Formula
Length of top (dividing, bottom) rails	Lr	$Lr = Ld - 70 \text{ mm}$

CALCULATION OF PANEL HEIGHT		
Panel type	Sign	Formula
Chipboard, 10 mm	Hip	Hip = Hd - 57 mm
Chipboard, 8 mm	Hip	Hip = Hd - 59 mm
Glass (Mirror), 4 mm	Hip	Hip = Hd - 60 mm

CALCULATION OF PANEL WIDTH		
Panel type	Sign	Formula
Chipboard, 10 mm	Lip	Lip = Ld - 54 mm
Chipboard, 8 mm	Lip	Lip = Ld - 56 mm
Glass (Mirror), 4 mm	Lip	Lip = Ld - 57 mm

Making the Holes: Drilling Scheme for the Stiles of the Sliding System



Dividing Rail

One dividing rail with a screw reduces height and width of the panel in possible combinations to the following values:		
Chipboard (10 mm) / Chipboard (10 mm)	Chipboard (8 mm) / Chipboard (8 mm)	Mirror (4 mm) / Mirror (4 mm)
<b>9 mm</b>	<b>11 mm</b>	<b>12 mm</b>
Chipboard (10 mm) / Chipboard (8 mm)	Chipboard (10 mm) / Mirror (4 mm)	Chipboard (8 mm) / Mirror (4 mm)
<b>10 mm</b>	<b>10.5 mm</b>	<b>11,5 mm</b>

One dividing rail without a screw reduces height and width of insert part in possible combinations to the following values:		
Chipboard (10 mm) / Chipboard (10 mm)	Chipboard (8 mm) / Chipboard (8 mm)	Mirror (4 mm) / Mirror (4 mm)
<b>2 mm</b>	<b>4 mm</b>	<b>5 mm</b>
Chipboard (10 mm) / Chipboard (8 mm)	Chipboard (10 mm) / Mirror (4 mm)	Chipboard (8 mm) / Mirror (4 mm)
<b>3 mm</b>	<b>3.5 mm</b>	<b>4,5 mm</b>

Sliding System

DOOR SIZES CALCULATION FOR SLIDING SYSTEM		
Name	Sign	Formula
Door height	Hd	Hd = Hdw - 40 mm
Door height with door soft closer	Hd	Hd = Hdw - 45 mm
Track length	Lr	Lr = Ldw

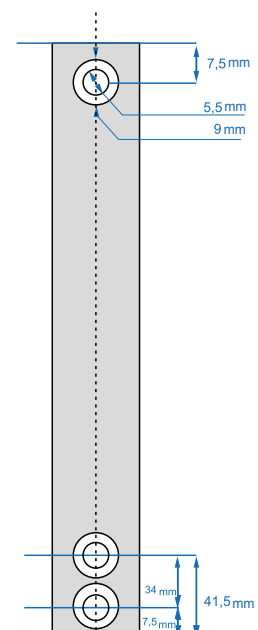
DOOR WIDTH CALCULATION ACCORDING TO THE QUANTITY AND LOCATION				
Door qty	Mode	Sign	Formula (without weather strip)	Formula (with weather strip)
2 pcs		Ld	$Ld = (Ldw + 39.5 \text{ mm})/2$	$Ld = (Ldw + 29.5 \text{ mm})/2$
3 pcs			$Ld = (Ldw + 79 \text{ mm})/3$	$Ld = (Ldw + 69 \text{ mm})/3$
4 pcs			$Ld = (Ldw + 118.5 \text{ mm})/4$	$Ld = (Ldw + 108.5 \text{ mm})/4$
4 pcs			$Ld = (Ldw + 79 \text{ mm})/4$	$Ld = (Ldw + 59 \text{ mm})/4$
5 pcs			$Ld = (Ldw + 158 \text{ mm})/5$	$Ld = (Ldw + 148 \text{ mm})/5$

HORIZONTAL PROFILE LENGTH CALCULATION		
Name	Sign	Formula
Length of top (dividing, bottom) tracks	Lr	$Lr = Ld - 76.4 \text{ mm}$

CALCULATION OF PANEL HEIGHT		
Panel type	Sign	Formula
Chipboard, 10 mm	Hip	Hip = Hd - 57 mm
Chipboard, 8 mm	Hip	Hip = Hd - 59 mm
Glass (Mirror), 4 mm	Hip	Hip = Hd - 60 mm

CALCULATION OF PANEL WIDTH		
Panel type	Sign	Formula
Chipboard, 10 mm	Lip	Lip = Ld - 60 mm
Chipboard, 8 mm	Lip	Lip = Ld - 62 mm
Glass (Mirror), 4 mm	Lip	Lip = Ld - 63 mm

Making the Holes: Drilling Scheme for the Stiles of the Sliding System



Dividing Rail

One dividing rail with a screw reduces height and width of the panel in the available set-ups to the following values:		
Chipboard (10 mm) / Chipboard (10 mm)	Chipboard (8 mm) / Chipboard (8 mm)	Mirror (4 mm) / Mirror (4 mm)
<b>9 mm</b>	<b>11 mm</b>	<b>12 mm</b>
Chipboard (10 mm) / Chipboard (8 mm)	Chipboard (10 mm) / Mirror (4 mm)	Chipboard (8 mm) / Mirror (4 mm)
<b>10 mm</b>	<b>10.5 mm</b>	<b>11.5 mm</b>

One dividing rail without a screw reduces height and width of the panel in the available set-ups to the following values:		
Chipboard (10 mm) / Chipboard (10 mm)	Chipboard (8 mm) / Chipboard (8 mm)	Mirror (4 mm) / Mirror (4 mm)
<b>2 mm</b>	<b>4 mm</b>	<b>5 mm</b>
Chipboard (10 mm) / Chipboard (8 mm)	Chipboard (10 mm) / Mirror (4 mm)	Chipboard (8 mm) / Mirror (4 mm)
<b>3 mm</b>	<b>3.5 mm</b>	<b>4.5 mm</b>

Pivot System

DOOR SIZES CALCULATION		
Name	Sign	Formula
Door height	Hd	Hd = Hdw - 30 mm
Door width	Ld	Ld = Ldw - 12 mm

Sliding System

DOOR SIZES CALCULATION OF DOORWAY PARAMETERS		
Name	Sign	Formula
Door height	Hd	Hd = Hdw - 40 mm
Door height with soft closer	Hd	Hd = Hdw - 45 mm
Rails length	Lr	Lr = Ldw

DOOR WIDTH CALCULATION ACCORDING TO THE QUANTITY AND LOCATION				
Door qty	Mode	Sign	Formula (without weather strip)	Formula (with weather strip)
2 pcs		Ld	$Ld = (Ldw + 45 \text{ mm})/2$	$Ld = (Ldw + 35 \text{ mm})/2$
3 pcs			$Ld = (Ldw + 90 \text{ mm})/3$	$Ld = (Ldw + 80 \text{ mm})/3$
4 pcs			$LLd = (Ldw + 135 \text{ mm})/4$	$Ld = (Ldw + 125 \text{ mm})/4$
4 pcs			$Ld = (Ldw + 90 \text{ mm})/4$	$LLd = (Ldw + 70 \text{ mm})/4$
5 pcs			$Ld = (Ldw + 180 \text{ mm})/5$	$Ld = (Ldw + 170 \text{ mm})/5$

Pivot And Sliding Systems

LENGTH CALCULATION OF THE HORIZONTAL PROFILES		
Name	Signs	Formula
Length of top (dividing, bottom) rails	Lr	$Lr = Ld - 51 \text{ mm}$

CALCULATION OF PANEL HEIGHT		
Panel type	Sign	Formula
Chipboard, 10 mm	Hip	Hip = Hd - 57 mm
Chipboard, 8 mm	Hip	Hip = Hd - 59 mm
Glass (Mirror), 4 mm	Hip	Hip = Hd - 60 mm

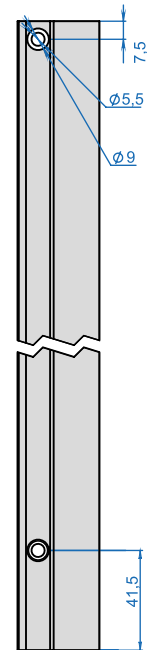
CALCULATION OF PANEL WIDTH		
Panel type	Sign	Formula
Chipboard, 10 mm	Lip	Lip = Ld - 35 mm
Chipboard, 8 mm	Lip	Lip = Ld - 37 mm
Glass (Mirror), 4 mm	Lip	Lip = Ld - 38 mm

Dividing Rail

One dividing rail with a screw reduces height and width of the panel in the available set-ups to the following values:		
Chipboard (10 mm) / Chipboard (10 mm)	Chipboard (8 mm) / Chipboard (8 mm)	Mirror (4 mm) / Mirror (4 mm)
<b>9 mm</b>	<b>11 mm</b>	<b>12 mm</b>
Chipboard (10 mm) / Chipboard (8 mm)	Chipboard (10 mm) / Mirror (4 mm)	Chipboard (8 mm) / Mirror (4 mm)
<b>10 mm</b>	<b>10.5 mm</b>	<b>11.5 mm</b>

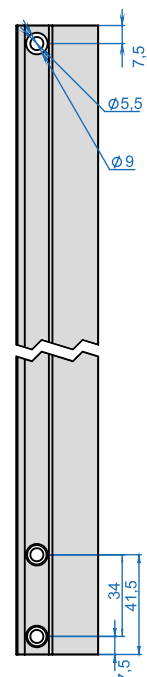
One dividing rail without a screw reduces height and width of the panel in the available set-ups to the following values:		
Chipboard (8 mm) / Chipboard (8 mm)	Mirror (4 mm) / Mirror (4 mm)	Mirror (4 mm) / Mirror (4 mm)
<b>2 mm</b>	<b>4 mm</b>	<b>5 mm</b>
Chipboard (10 mm) / Mirror (4 mm)	Chipboard (8 mm) / Mirror (4 mm)	Chipboard (8 mm) / Mirror (4 mm)
<b>3 mm</b>	<b>3.5 mm</b>	<b>4.5 mm</b>

Making the Holes:  
Drilling Scheme for the Stiles of the Pivot System



For covering the holes, please use the weather strip

Making the Holes:  
Drilling Scheme for the Stiles of the Sliding System



Sliding System

Door sizes calculation according to the doorway parameters		
Name	Sign	Formula
Door height	Hd	Hd = Lr - 45 mm
Door height with recessed track	Hd	Hd = Lr - 39 mm
Tracks length	Lt	Lt = Ldw

Door width calculation according to their quantity and location				
Doors	Mode	Sign	Formula w/o weather strip	Formula w/ weather strip
2 pcs		Ld	$Ld = (Ldw + 12 \text{ mm})/2$	$Ld = (Ldw + 2 \text{ mm})/2$
3 pcs			$Ld = (Ldw + 24 \text{ mm})/3$	$Ld = (Ldw + 14 \text{ mm})/3$
4 pcs			$Ld = (Ldw + 36 \text{ mm})/4$	$Ld = (Ldw + 26 \text{ mm})/4$
4 pcs			$Ld = (Ldw + 24 \text{ mm})/4$	$Ld = (Ldw + 4 \text{ mm})/4$
5 pcs			$Ld = (Ldw + 48 \text{ mm})/5$	$Ld = (Ldw + 38 \text{ mm})/5$

Horizontal profiles length calculation		
Name	Sign	Formula
Length of top (dividing, bottom) rails	Lr	Lr = Ld - 23 mm

Calculation of panel height according to the type of panel		
Panel type	Sign	Formula
Chipboard, 10 mm	Hip	Hip = Hd - 57 mm
Chipboard, 8 mm	Hip	Hip = Hd - 59 mm
Glass/mirror, 4 mm	Hip	Hip = Hd - 60 mm

Calculation of panel width according to the type of panel		
Panel type	Sign	Formula
Chipboard, 10 mm	Lip	Lip = Ld - 7 mm
Chipboard, 8 mm	Lip	Lip = Ld - 9 mm
Glass/mirror, 4 mm	Lip	Lip = Ld - 10 mm

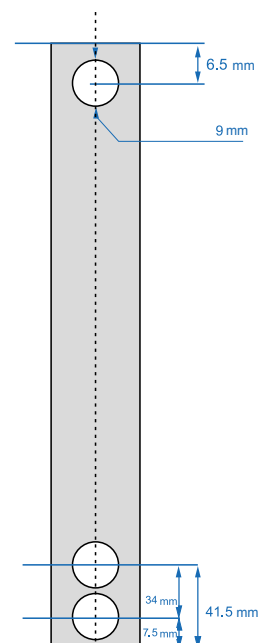
Dividing Rail

One dividing rail with a self-tapping screw reduces height and width of the panel in the possible combinations by the following values:		
Chipboard (10 mm) / Chipboard (10 mm)	Chipboard (8 mm) / Chipboard (8 mm)	Mirror (4 mm) / Mirror (4 mm)
<b>9 mm</b>	<b>11 mm</b>	<b>12 mm</b>
Chipboard (10 mm) / Chipboard (8 mm)	Chipboard (10 mm) / Mirror (4 mm)	Chipboard (8 mm) / Mirror (4 mm)
<b>10 mm</b>	<b>10.5 mm</b>	<b>11.5 mm</b>

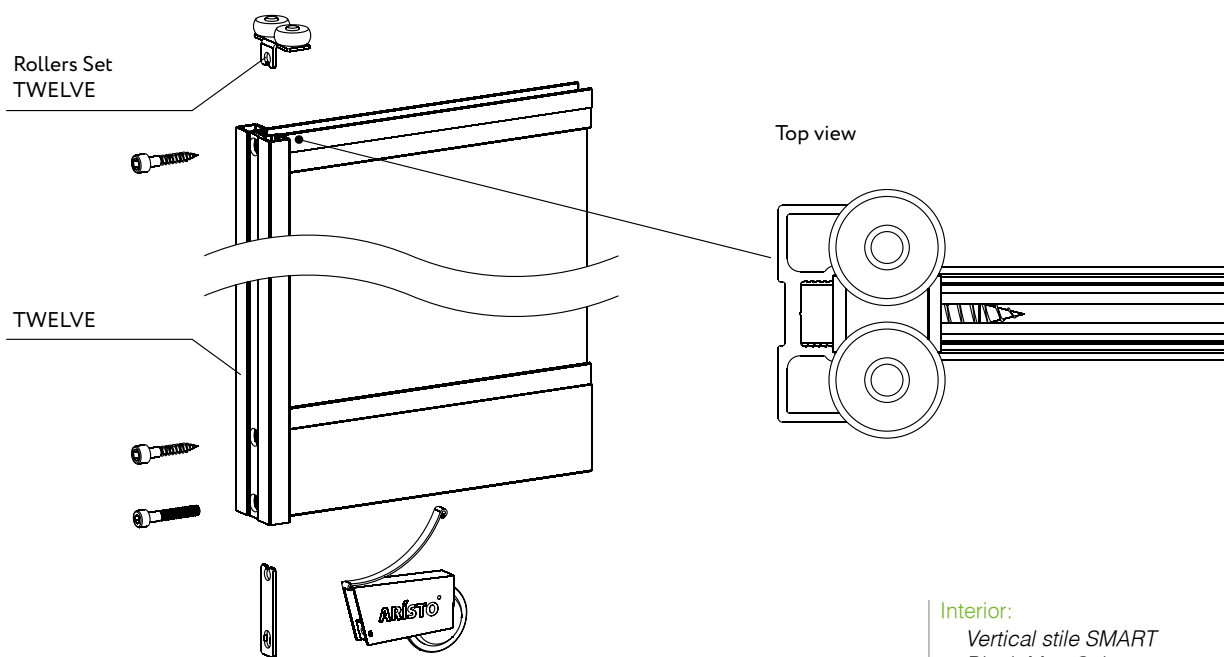
One dividing rail w/o a self-tapping screw (AS0216.AP540) reduces height and width of the panel in the possible combinations by the following values:		
Chipboard (10 mm) / Chipboard (10 mm)	Chipboard (8 mm) / Chipboard (8 mm)	Mirror (4 mm) / Mirror (4 mm)
<b>2 mm</b>	<b>4 mm</b>	<b>5 mm</b>
Chipboard (10 mm) / Chipboard (8 mm)	Chipboard (10 mm) / Mirror (4 mm)	Chipboard (8 mm) / Mirror (4 mm)
<b>3 mm</b>	<b>3.5 mm</b>	<b>4.5 mm</b>

One dividing rail w/o a self-tapping screw (AS0820.VP540) reduces height and width of the panel in the possible combinations by the following values:		
Chipboard (10 mm) / Chipboard (10 mm)	Chipboard (8 mm) / Chipboard (8 mm)	Mirror (4 mm) / Mirror (4 mm)
<b>1 mm</b>	<b>3 mm</b>	<b>4 mm</b>
Chipboard (10 mm) / Chipboard (8 mm)	Chipboard (10 mm) / Mirror (4 mm)	Chipboard (8 mm) / Mirror (4 mm)
<b>2 mm</b>	<b>2.5 mm</b>	<b>3.5 mm</b>

Scheme of drilling holes in the vertical profile of the Sliding system



Assembly Scheme TWELVE



Interior:  
Vertical stile SMART  
Black Matt Colour  
STANDARD System



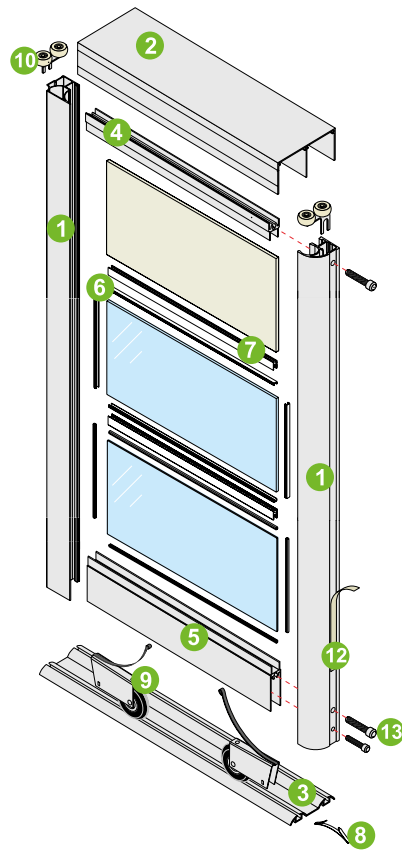
Assembly Scheme

- 1 Stile
- 2 Double Top Track
- 3 Double Bottom Track
- 4 Top Rail
- 5 Bottom Rail
- 6 Gasket U Shape, PVC
- 7 Dividing Rail
- 8 Bottom Track Positioner
- 9 Bottom Roller
- 10 Top Asymmetric Roller
- 11 Top Symmetric Roller
- 12 Weather Strip
- 13 Assembly Screw

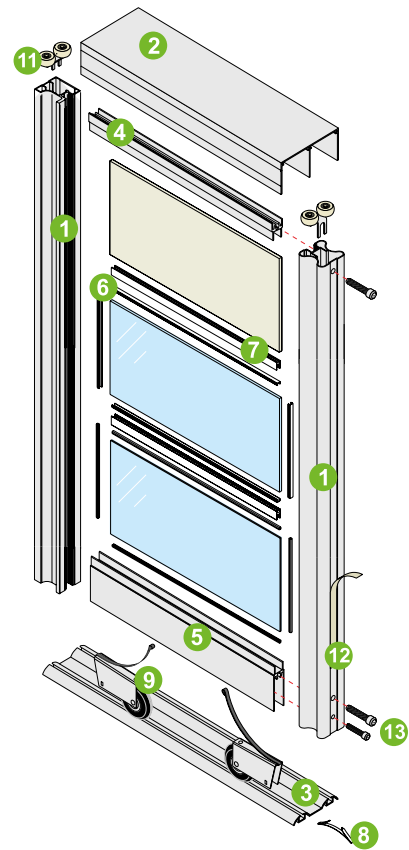
Recommendation:  
The Bottom Track in the cabinet or opening is fixed with double-sided adhesive tape.



C, Flat, O and I Stiles

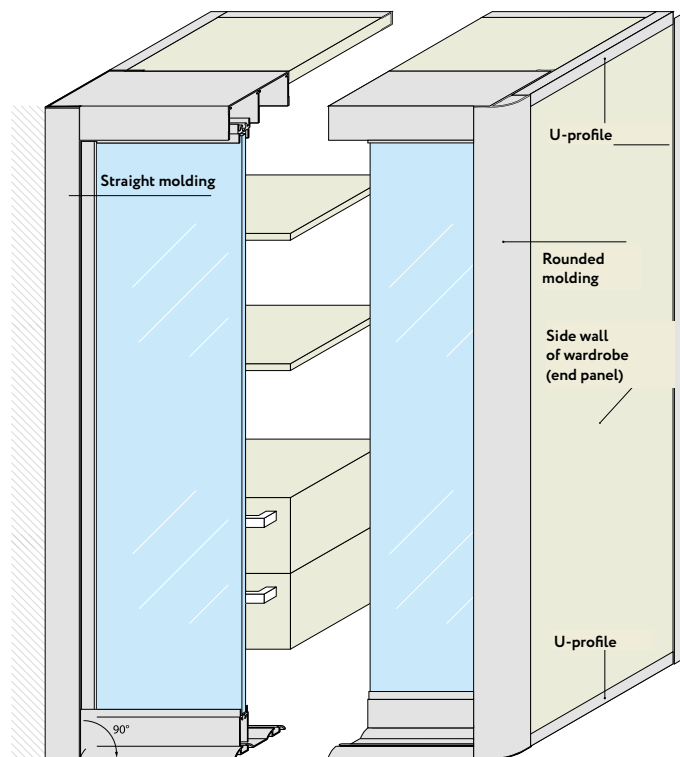


H and Fusion Stiles



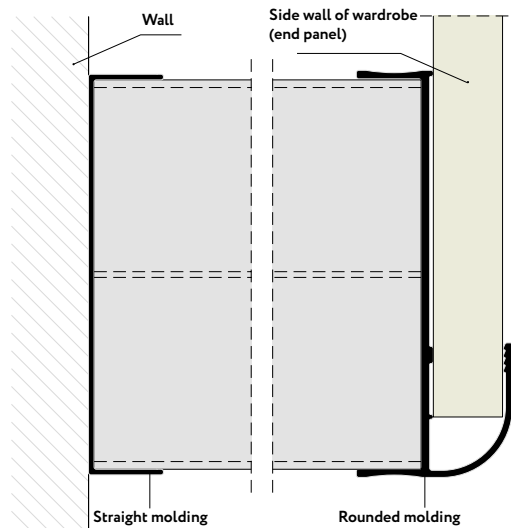
Optional Solution

Installation of Straight and Rounded Moldings



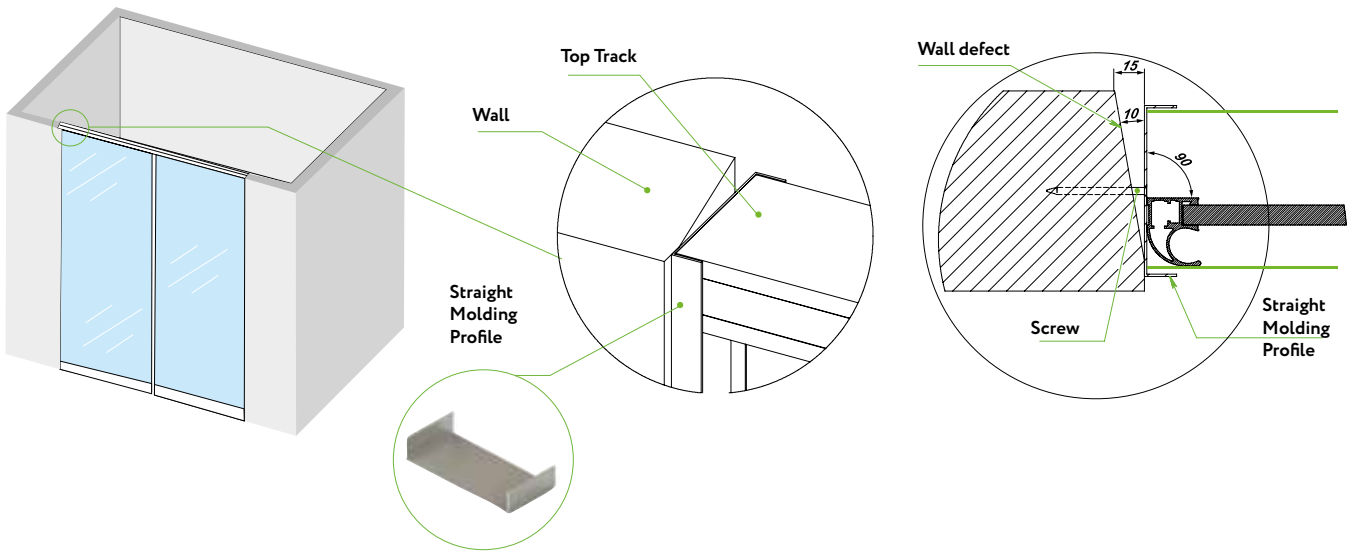
Horizontal Sectional Drawing of Straight and Rounded Moldings

Overhead view

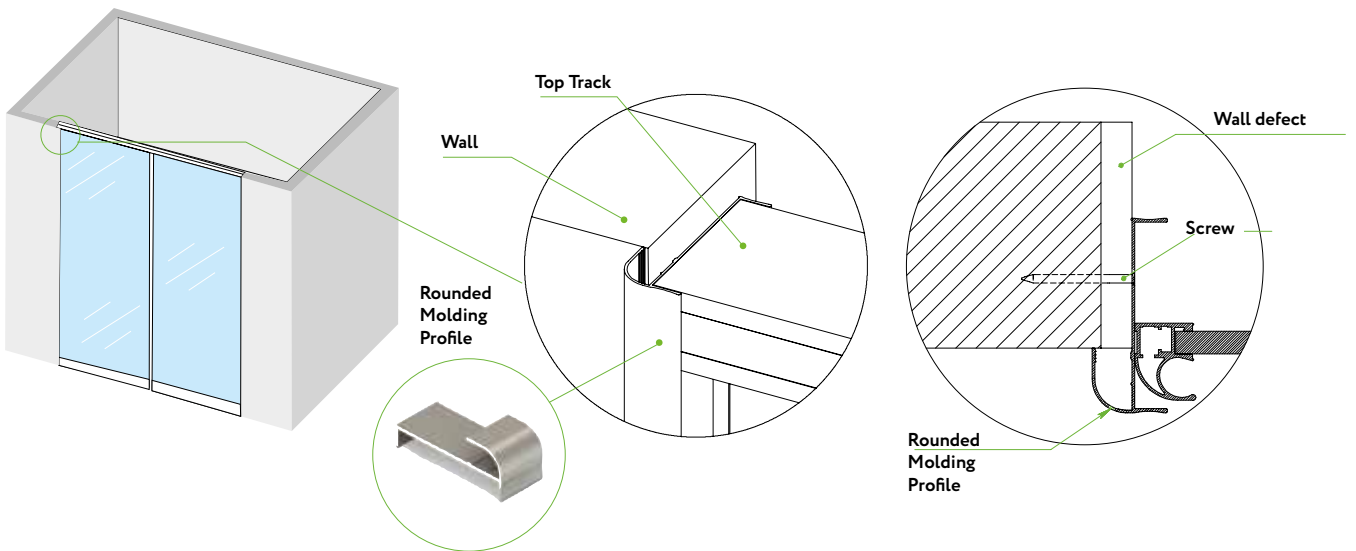


Recommendation:  
The Straight/Rounded moldings are fixed to the side panels of the cabinet with double-sided adhesive tape.

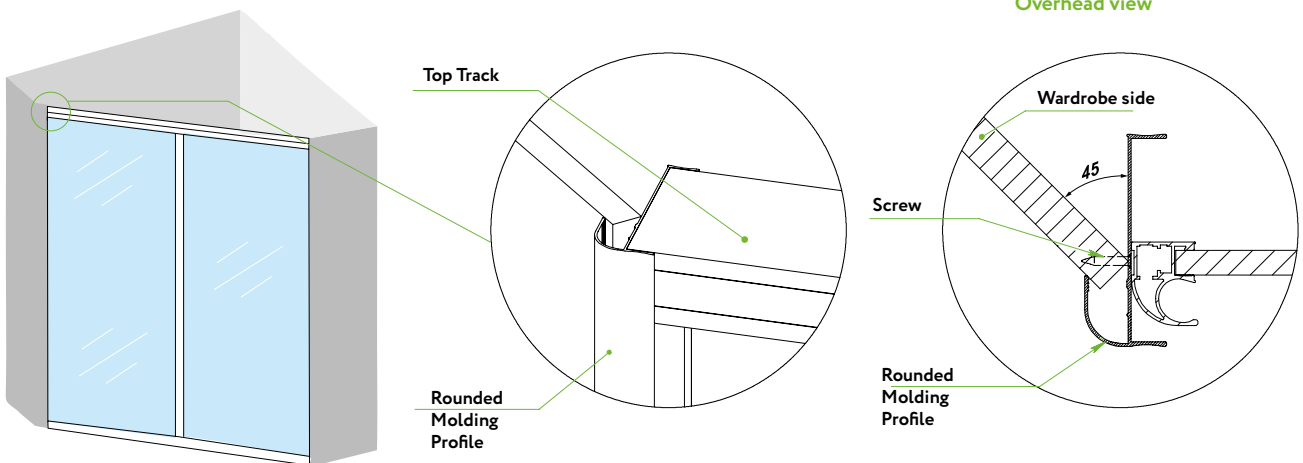
Straight Molding



Rounded Molding. Angle 90°

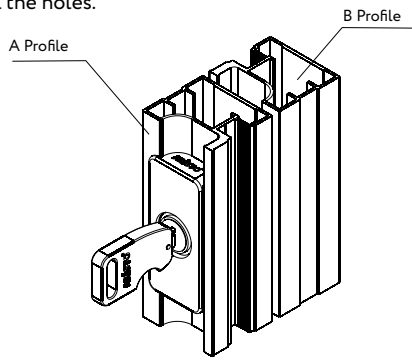


Rounded Molding. Angle 45°

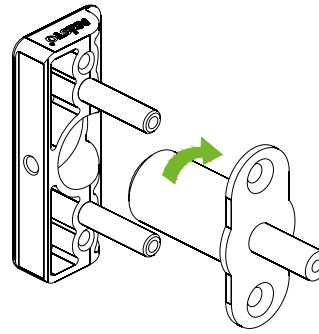




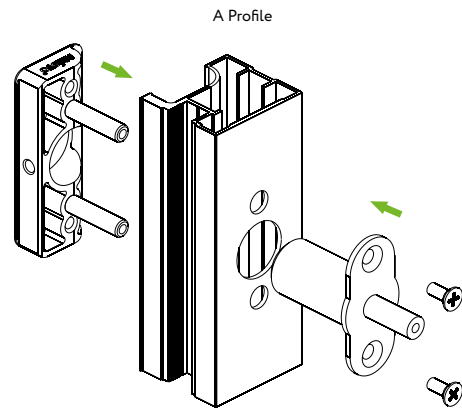
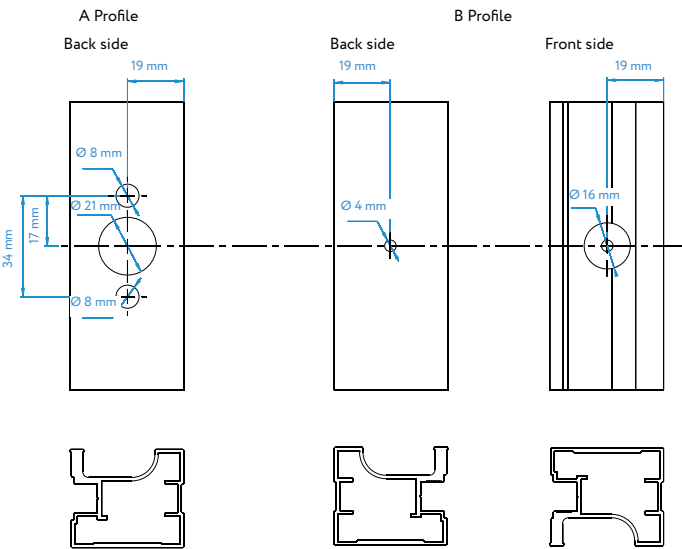
1 Mark the spots on profiles A and B where the holes for the lock will be located. Drill the holes.



The key should be inserted into the lock as shown in the picture. If the key cannot be inserted, rotate the lock barrel at 180°.

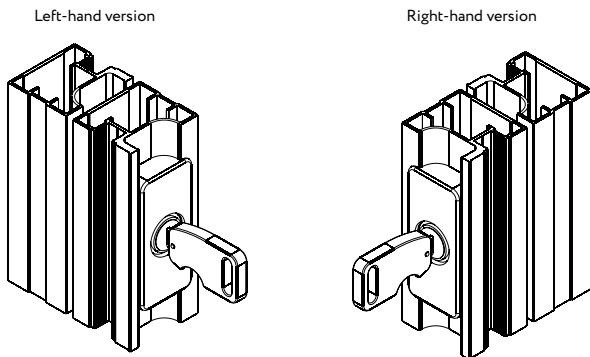
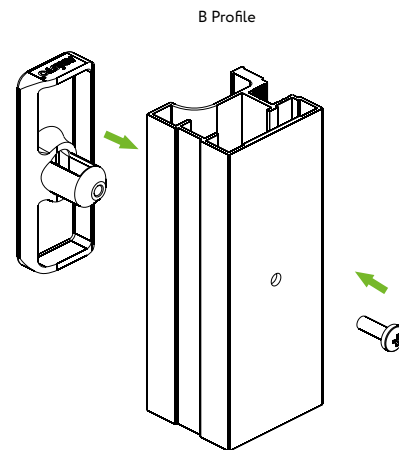


3 Attach the lock to profile A with the provided screws.



4 Insert the backside element into profile B and install.

2 Prepare the lock barrel.



Universal soft closer installation. Types of sets

One Set of Soft Closers for a Door

- of 10-30kg Contains:  
 Soft Closer, Left - 1 pc.  
 Soft Closer, Right - 1 pc.  
 Actuator - 2 pcs  
 Screws for Mounting the Actuator 4×16 - 8 pcs  
 Square Plate - 2 pcs  
 Self-tapping Screw 4×9 - 2 pcs  
 Attachment Element - 2 pcs  
 Spring «10-15 kg» - 2 pcs  
 Round Plate - 2 pcs  
 Spring «30-50 kg» - 2 pcs

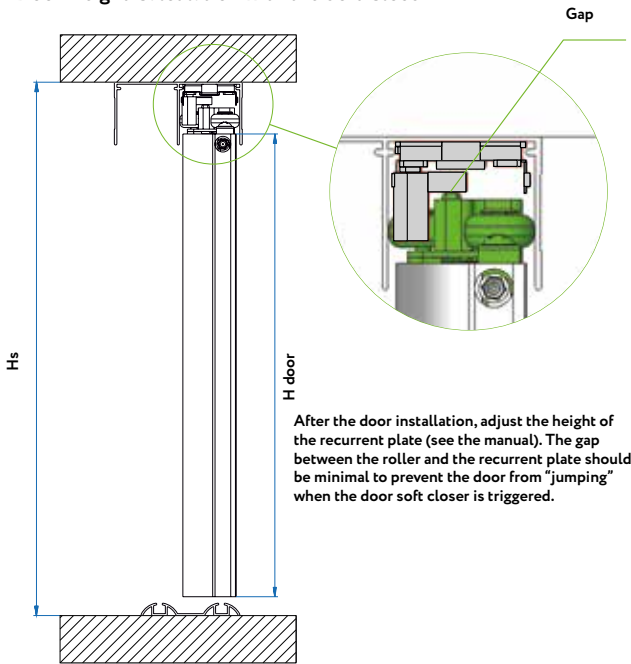
One Set of Soft Closers for a Door

- of 30-50kg Contains:  
 Soft Closer, Left - 1 pc.  
 Soft Closer, Right - 1 pc.  
 Actuator - 2 pcs  
 Screws for Mounting the Actuator 4×6 - 8 pcs  
 Square Plate - 2 pcs  
 Self-tapping Screw 4×9 - 2 pcs  
 Attachment Element - 2 pcs  
 Round Plate - 2 pcs  
 Spring «50-70 kg» - 2 pcs  
 Spring «15-30 kg» - 2 pcs

One Set of Soft Closers for a Door

- of 50-70kg Contains:  
 Soft Closer, Left - 1 pc.  
 Soft Closer, Right - 1 pc.  
 Actuator - 2 pcs  
 Screws for Mounting the Actuator 4×16 - 8 pcs  
 Square Plate - 2 pcs  
 Self-tapping Screw 4×9 - 2 pcs  
 Attachment Element - 2 pcs  
 Round Plate - 2 pcs

Door Height Calculation with the Soft Closer



After the door installation, adjust the height of the recurrent plate (see the manual). The gap between the roller and the recurrent plate should be minimal to prevent the door from "jumping" when the door soft closer is triggered.

$H_{door} = H_s - 45.$

The door soft closer can be combined with the whole Aristo profile range.

1 Install the embedded details for fixing the screws (Fig. 1). If the door has been assembled previously, it's necessary to partly disassemble the door to install the embedded details. (You may also use a rubber mallet to push the element into the groove but this can damage the aluminium.)

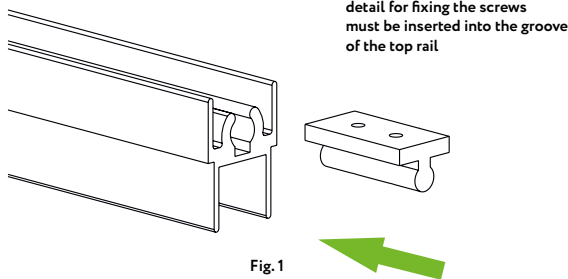


Fig. 1

2 Connect the door soft closer to the door (Fig. 2). When installing the soft closer on a previously assembled door, you must take off the top rollers (the soft closer will be installed instead and will substitute them). The soft closer is fixed at two points: first - with an assembly screw to the stile (instead of a top roller), and second - with a self-tapping screw (included in the set) to the embedded detail which was installed in step 1.

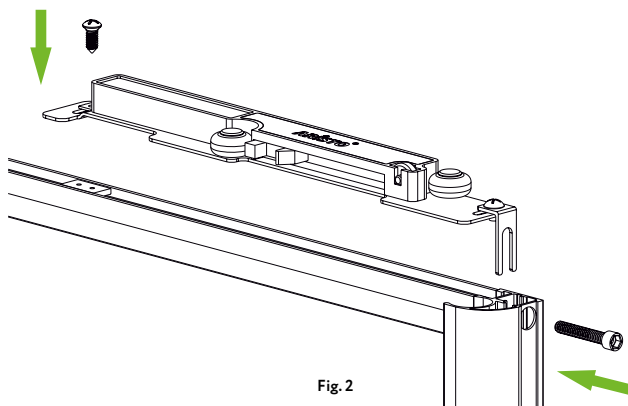


Fig. 2

3 Install the door in the tracks of the wardrobe. Do not activate the soft closers (Fig. 3).

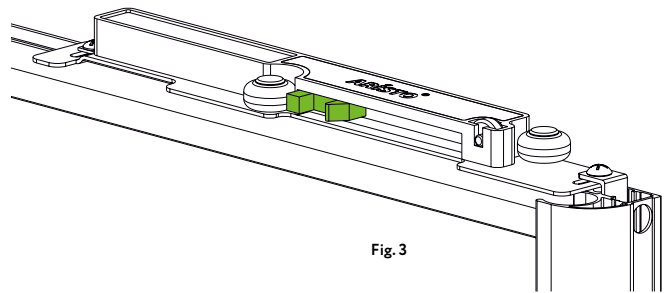


Fig. 3

4 Install the actuator in the top track all the way up. Place it on that side where the door will be (Fig. 4). Install the door in the tracks away from the actuator. After that, slide the door to the edge of the wardrobe using your hands (the actuator will take the proper place automatically). Then slide the door back, to activate the soft closer. Fix the actuator with the self-tapping screws.

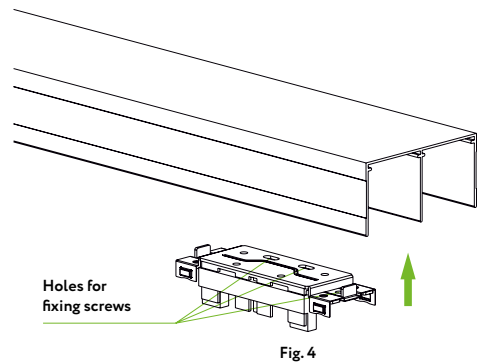


Fig. 4

5 Test the mechanism of the soft closer. Before further adjustment make sure that the actuator is lifted up to the maximum position, turn the adjustment screw counterclockwise until it does not move anymore (use a 3 mm Allen Key). Close the door (sharply) and watch whether it «jumps.» If it does, you need to lower the actuator turning the adjusting screw clockwise.

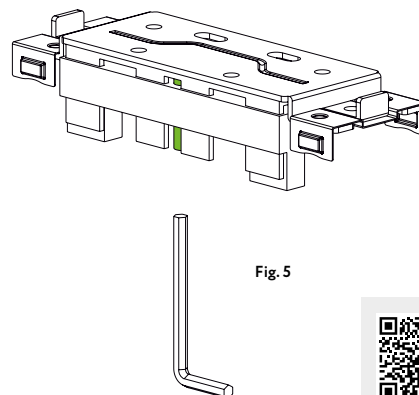


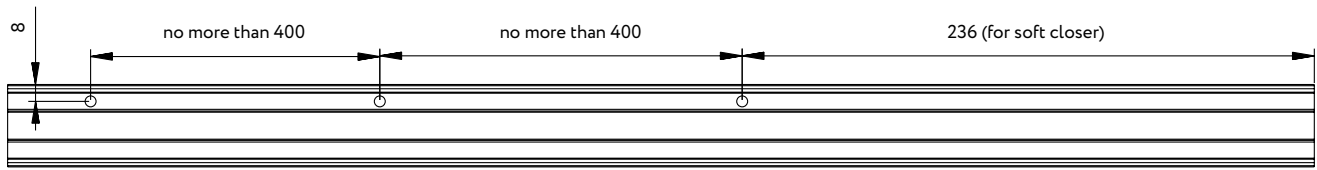
Fig. 5



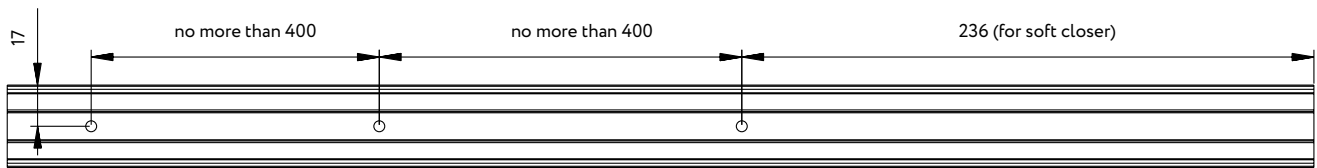
- 1 Prepare  $\varnothing 4.5$  mm holes in the plate with a pitch of no more than 400 mm.

L plate = L top rail - 2 mm

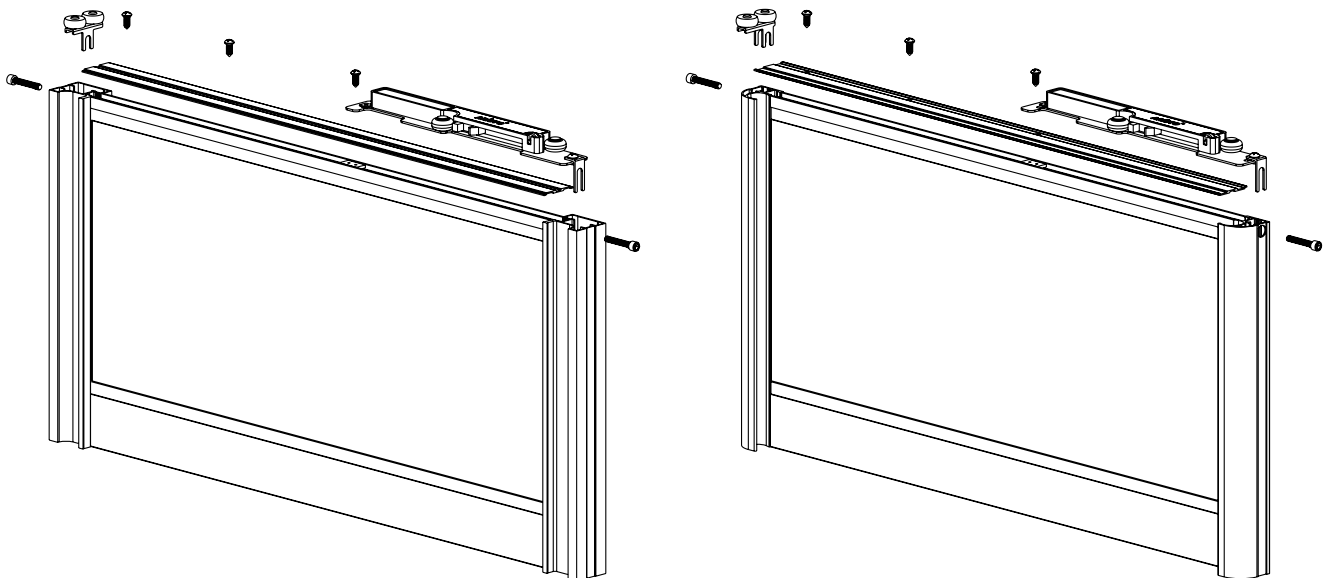
For asymmetrical profile



For symmetrical profile



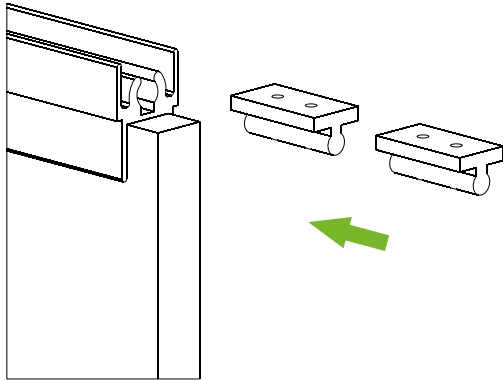
- 2 Fix the soft closer to the top rail through the plate with the self-tapping screw included in the kit. Additionally, secure the plate to the top rail with 3.9 x 9.5 mm self-tapping screws.



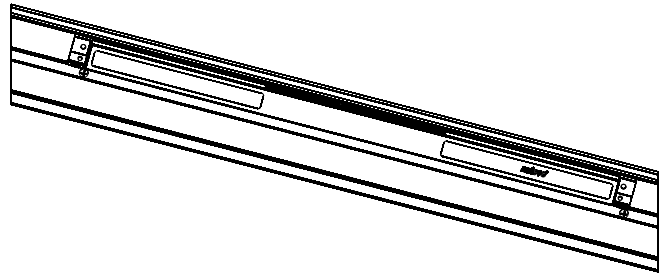
## Middle Door Soft Closer Installation

Middle door soft closer set includes: Embedded element – 2 pcs  
 Soft Closer – 1 pc  
 Actuator – 1 pc  
 Self-tapping screw 4x9 – 2 pcs  
 Self-tapping screw 4x16 – 2 pcs

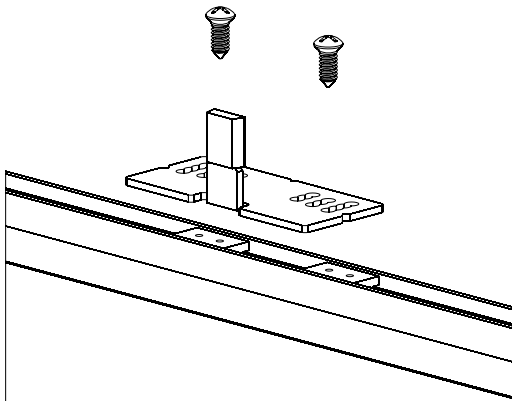
- 1 Insert the embedded elements into the groove of the top rail.



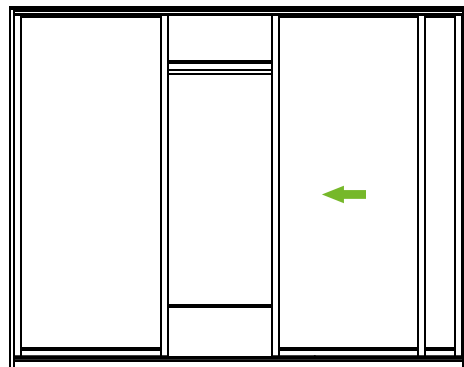
- 4 Fix the soft closer with the self-tapping screws.



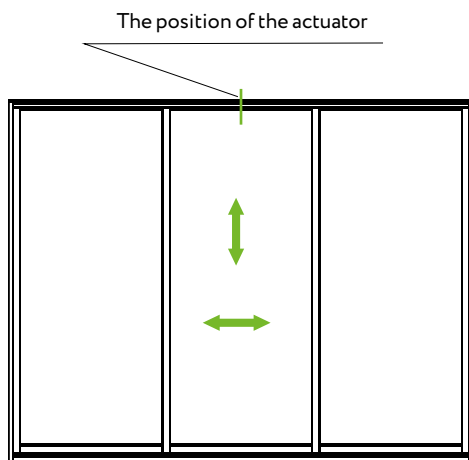
- 2 Fix the actuator in the center of the door with the self-tapping screws.



- 5 To activate the soft closer, carefully close the door towards the soft closer until it clicks. Cock the closer and check the operation of the door in both directions.



- 3 Install the wardrobe doors. Adjust the middle door for the width and height of the door opening. Mark the position of the actuator on the top track.



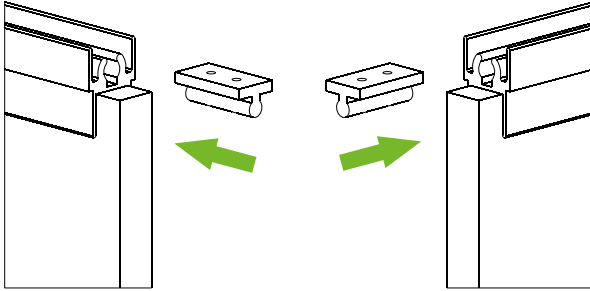
### Note

H door = H door opening - 45 mm

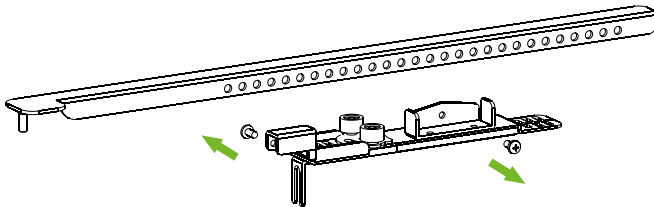
## Soft Closer for One-line Doors Installation

**Soft closer for one-line doors set includes:**  
 Soft Closer – 1 pc  
 Actuator – 1 pc  
 Embedded element – 2 pcs  
 Self-tapping screw 4x9 – 2 pcs

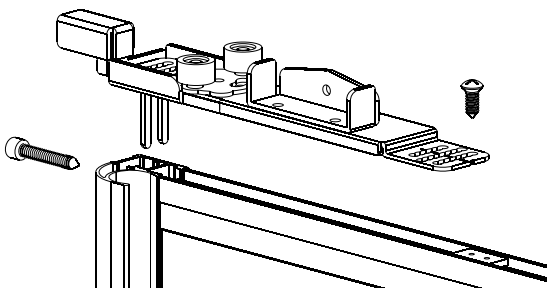
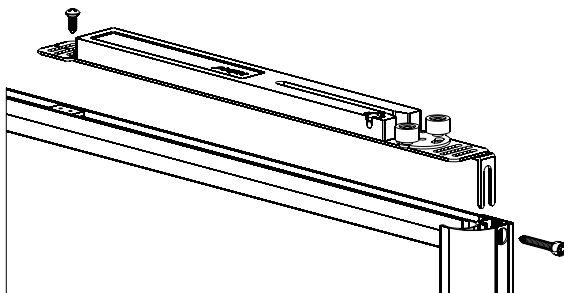
**1** Insert the embedded elements into the groove of the top rail in the left and right doors.



**2** Unscrew the screws and separate the actuator into two parts – the grip and the base.



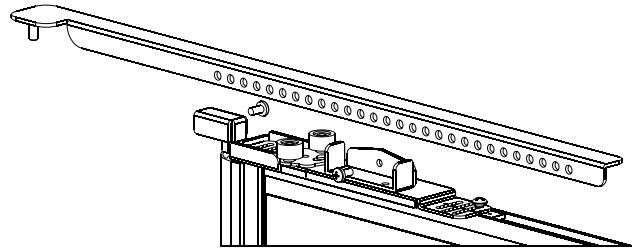
**3** Fix the soft closer on the left door with the screws, and the base on the right door.



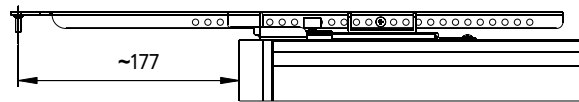
**Note**

H door = H door opening - 45 mm

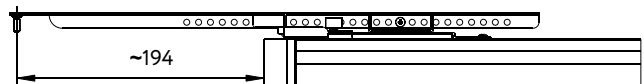
**4** Connect the two parts of the actuator with the screws – the grip and the base.



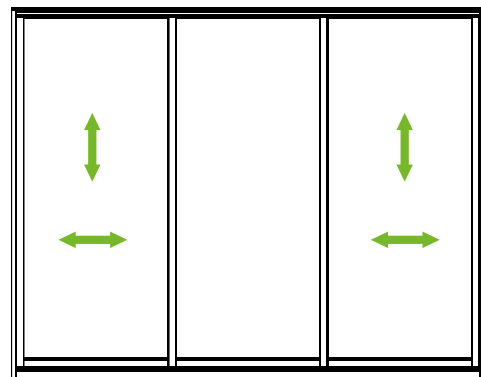
C, O, I, Flat, Smart, Avers



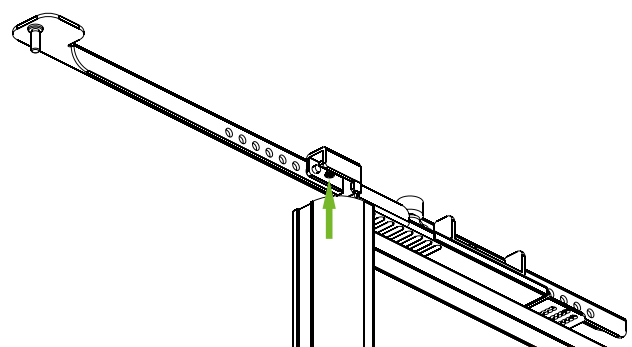
Fusion, H



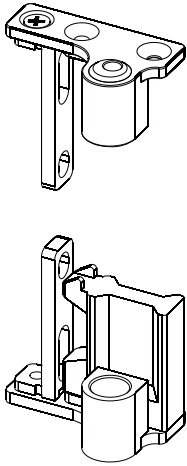
**5** Install and adjust the doors to the wardrobe or the door opening.



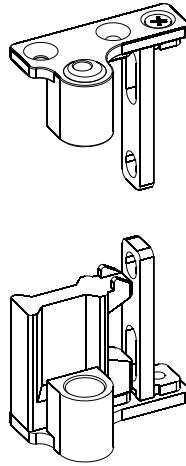
**6** Check door operation. If necessary, adjust the height of the actuator grip using the adjusting screw.



Left side opening  
(goes together with the kit)



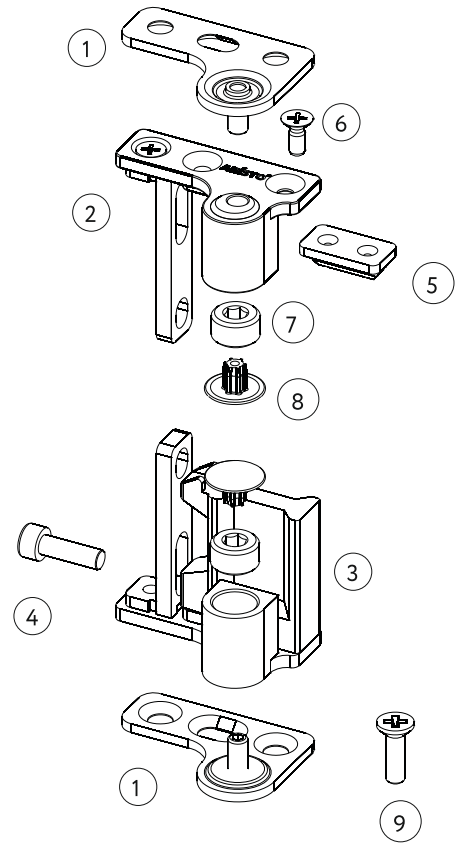
Right side opening  
(re-assembled manually)



Recommendation:  
mirror the assembling to the left  
side opening.

**One set includes:**

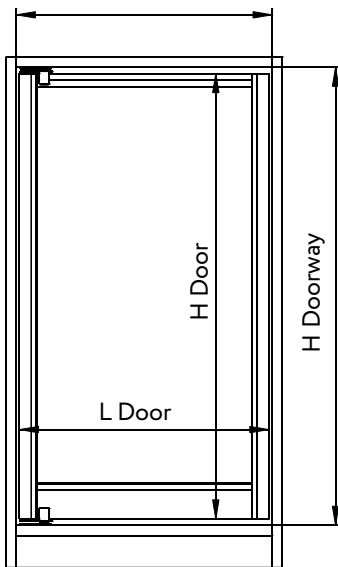
- |                              |                               |
|------------------------------|-------------------------------|
| 1. Pivot System Base         | 5. Plastic Attachment Element |
| 2. Top Attachment Element    | 6. Screw                      |
| 3. Bottom Attachment Element | 7. Lock-nut - 2 pcs           |
| 4. Screw                     | 8. Hole Cover - 2 pcs         |
|                              | 9. Euroscrew - 6 pcs          |



**Door Size Calculation**

One Door

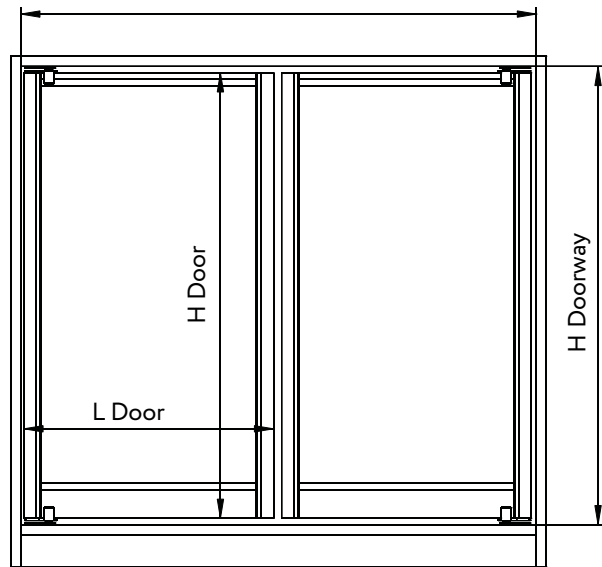
L Doorway



$$L \text{ Door} = L \text{ Doorway} - 10 \text{ mm}$$

Two Doors

L Doorway

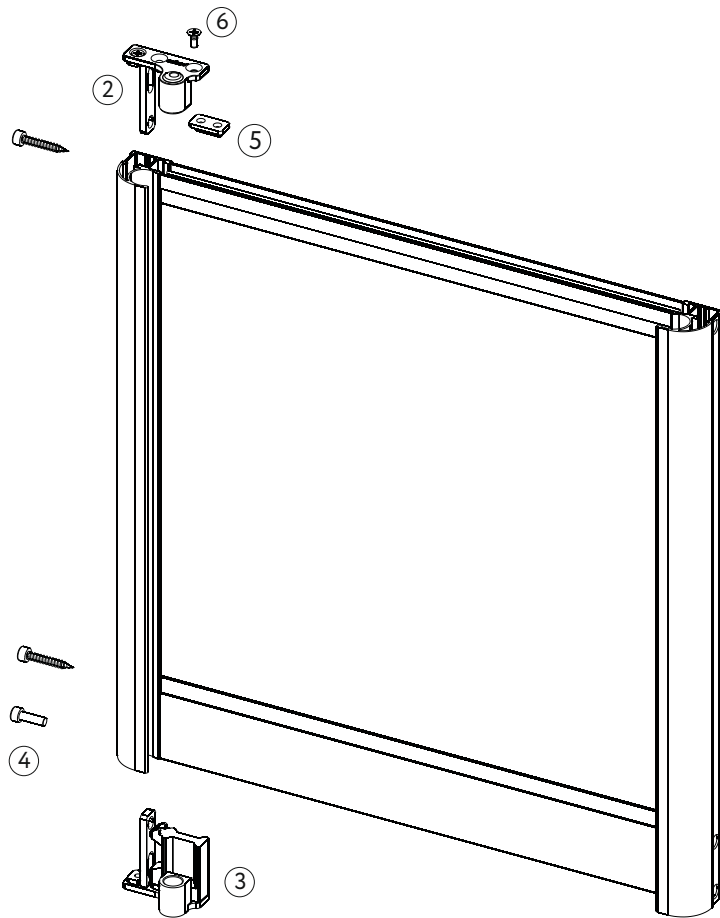
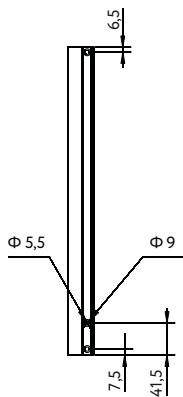


$$L \text{ Door} = (L \text{ Doorway} - 20 \text{ mm}) / 2$$

$$H \text{ Door} = H \text{ Doorway} - 20 \text{ mm}$$

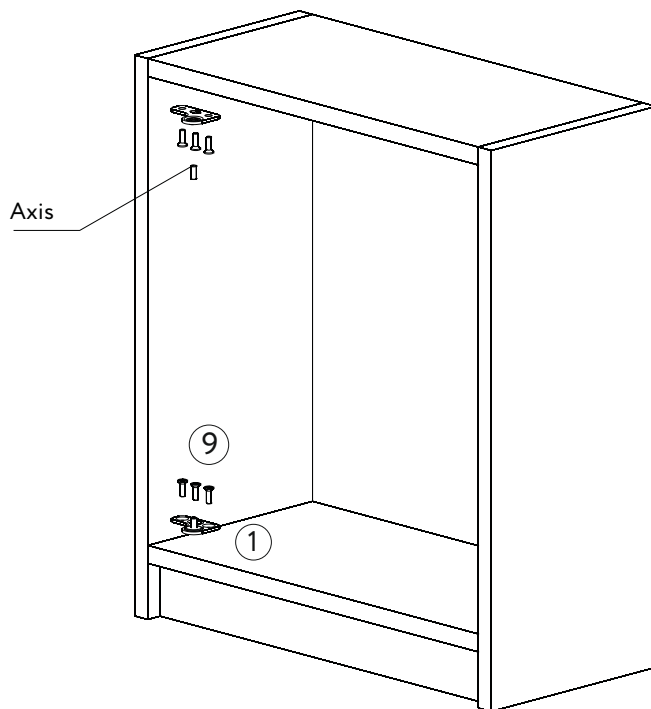
**Step 1.**

Fix the top (2) and bottom (3) attachment element to the door with assembling self-tapping screws. Secure the top attachment element with the self-tapping screw (6), after inserting the plastic attachment element (5) into the groove of the Top Rail. Secure the bottom attachment element with the screw (4).

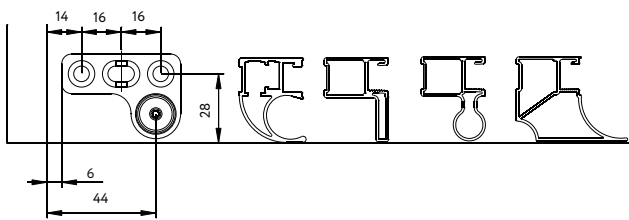


**Step 2.**

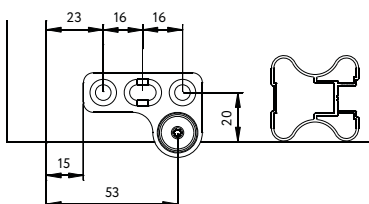
Install top and bottom pivot system base in a cabinet or doorway. Unscrew the axis from the top base using an Allen key. For installation in a cabinet use euroscrews from the set.



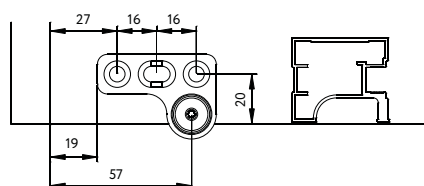
C, I, O and Flat Stiles



Stile H

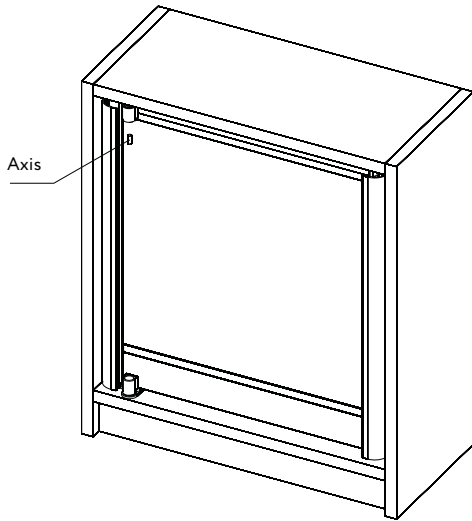


Stile Fusion



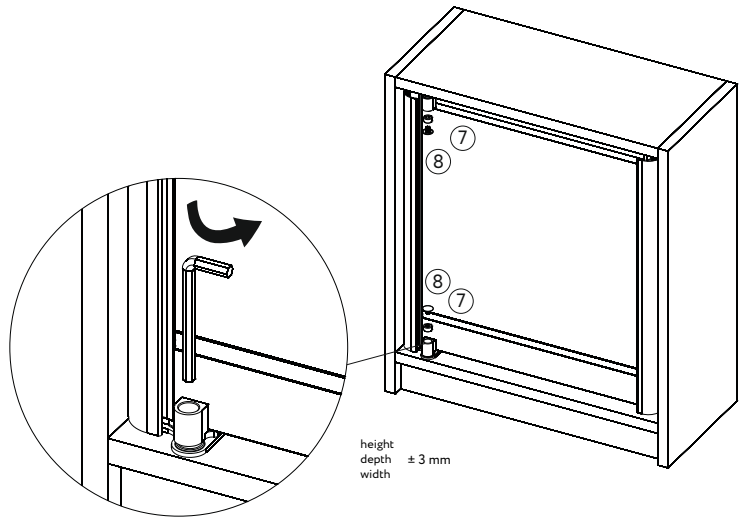
**Step 3.**

Install the door on the bottom axis and fix the top axis through the attachment element of the door.



**Step 4.**

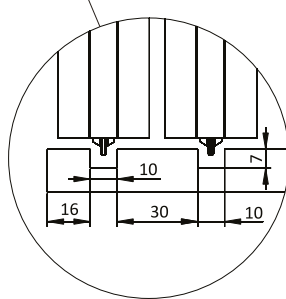
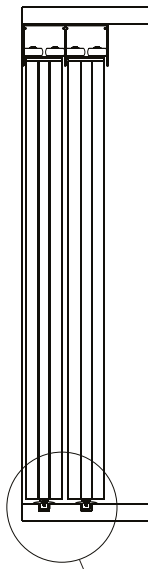
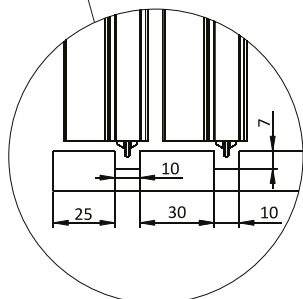
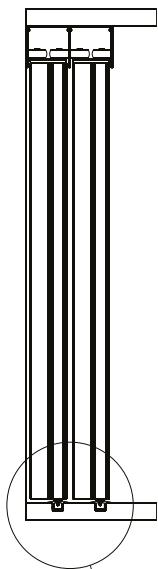
Adjust the door in three dimensions with an Allen key by turning the eccentric inside the top (2) and bottom (3) attachment element. After adjustment tighten the lock-nut (7) into the attachment elements and install the hole covers (8).



Standard System. Installation of the Recessed Single Bottom Track

Asymmetrical Stile

Symmetrical Stile



Door Height Calculation

$$\text{Door height} = \text{Opening height} - 39 \text{ mm}$$



**It is not allowed to use as panels the plate materials prone to bending.**

Materials prone to bending: chipboard with a violation of production technology, any materials stored not on a flat surface or also transportable, MDF, materials with different back and front coatings, materials with adhesive coatings (glue warps the material), etc.

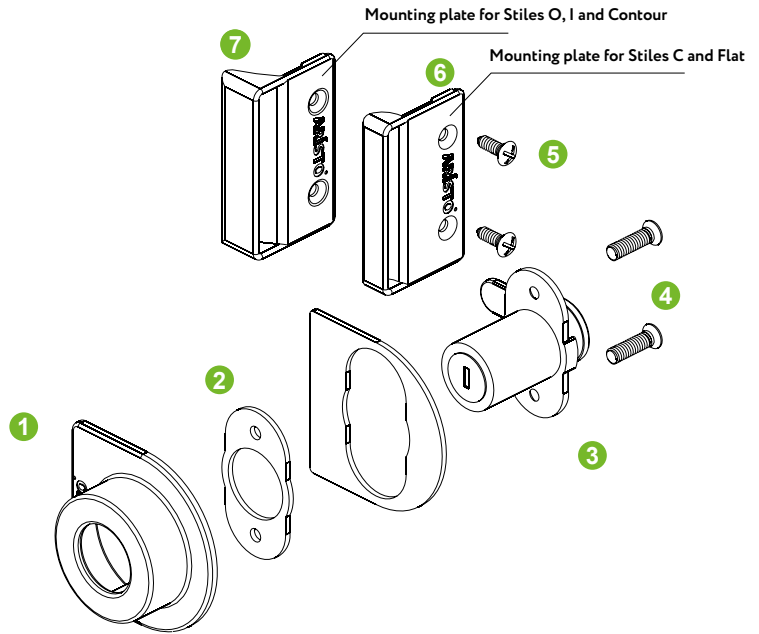
It is also important to take into account the operating conditions – temperature and humidity changes, high humidity, proximity of infrared radiation sources. A possible consequence of installing materials prone to bending is vertical or horizontal deformation of the door during operation.



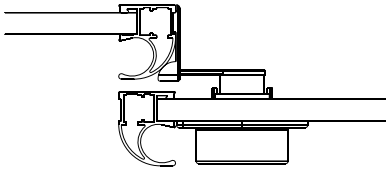
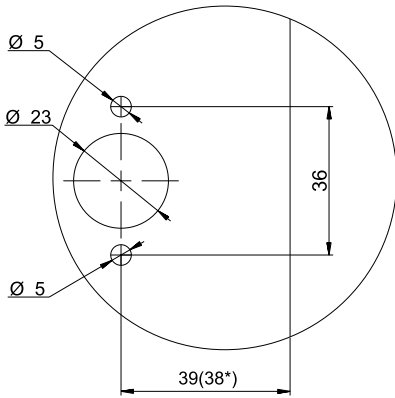
Chipboard panels 8 mm and 10 mm thick

**Aristo Lock Set Includes:**

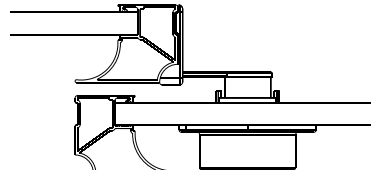
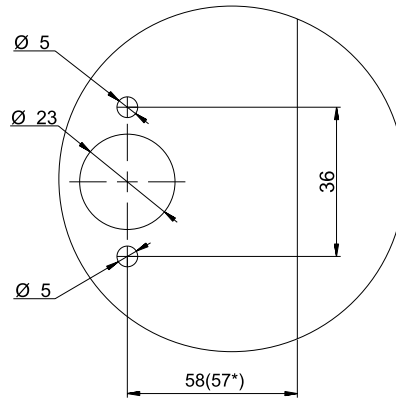
1. Decorative plate - 1 pc.
2. Self-adhesive gasket - 1 pc.
3. Lock with 2 keys - 1 pc.
4. Screw M4×20 - 2 pcs
5. Screw 3,5×13 - 3 pcs
6. Mounting plate for Stiles C and Flat - 1 pc.
7. Mounting plate for Stiles O, I and Contour - 1 pc.



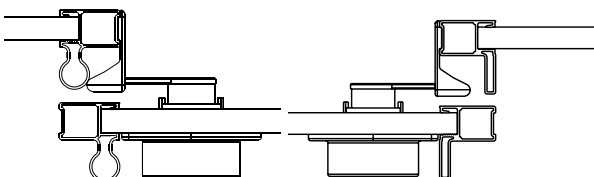
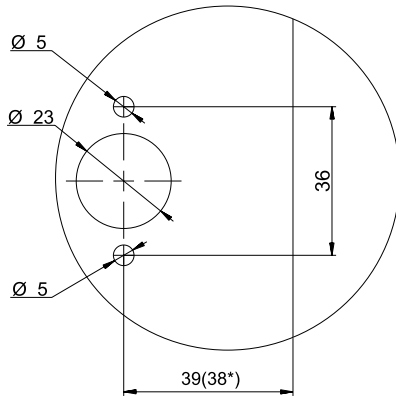
Stile C



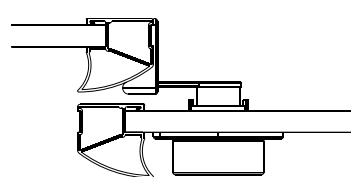
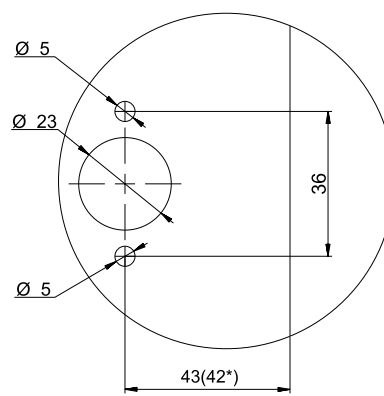
Stile Flat



Stiles O and I



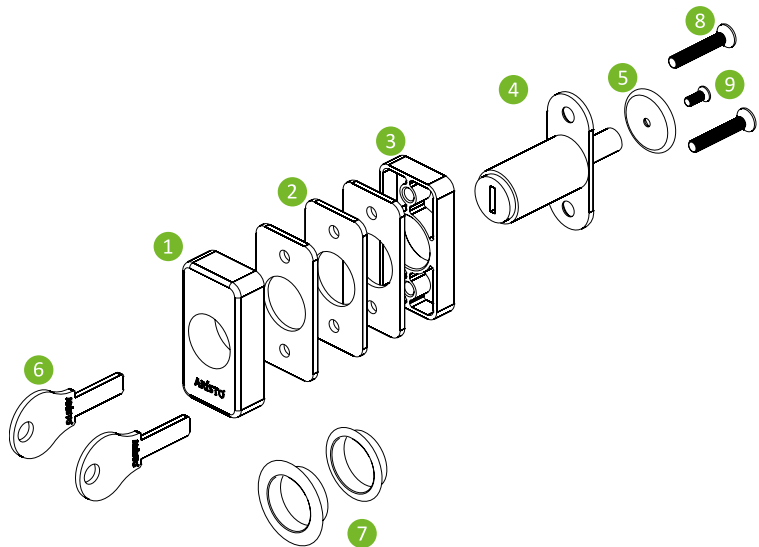
Stile Contour



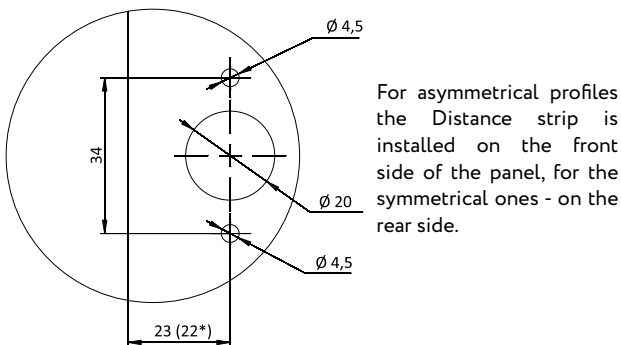
\* The measurements indicated above are true for 8 mm chipboard

**Lock set includes:**

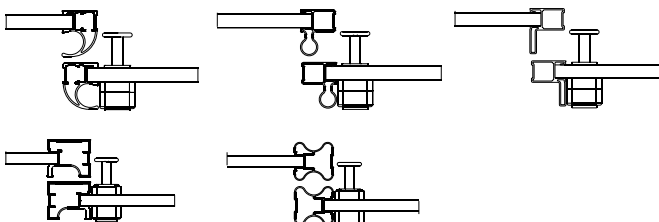
1. Front cover - 1 pc.
2. Pad - 3 pcs
3. Distance strip - 1 pc.
4. Lock mechanism - 1 pc.
5. Plastic washer - 1 pc.
6. Key - 2 pcs
7. Decorative ring - 2 pcs
8. Flat point screw 4x25 - 2 pcs
9. Flat point screw 3x8 - 1 pc.



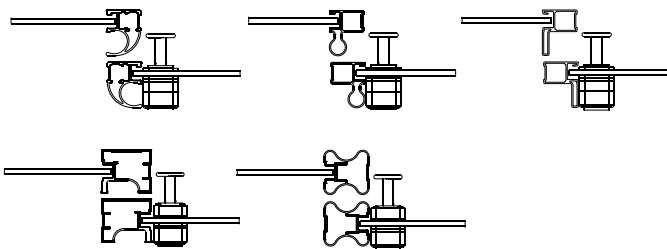
**Stiles C, O, I, Fusion and H**



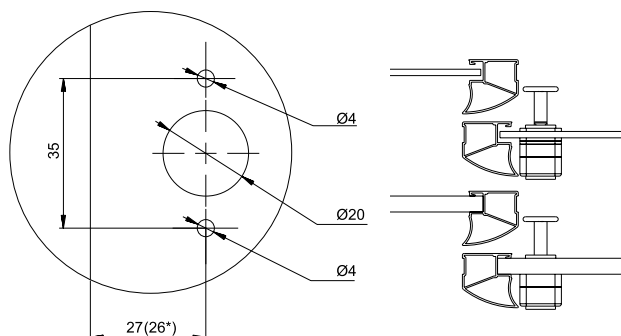
For asymmetrical profiles the Distance strip is installed on the front side of the panel, for the symmetrical ones - on the rear side.



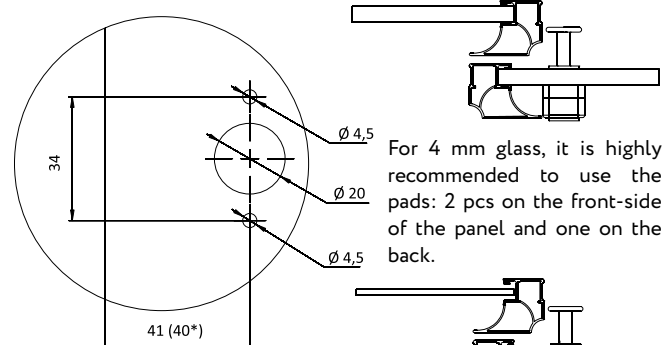
For 4 mm glass, it is highly recommended to use the pads: 2 pcs on the front-side of the panel and one on the back.



**Stile Contour**

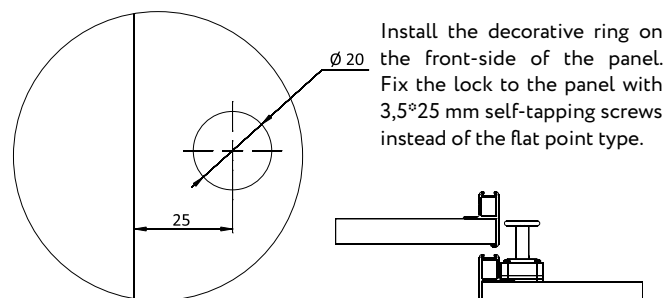


**Stile Flat**



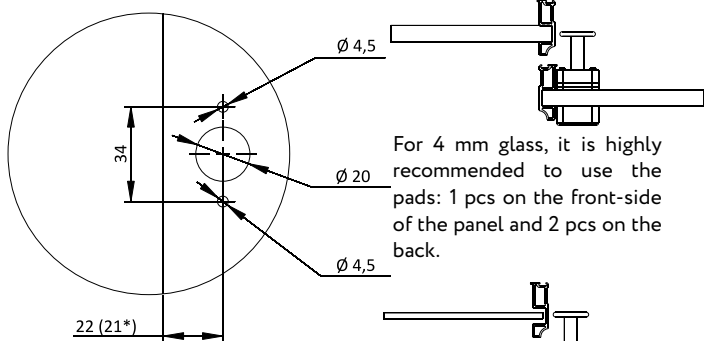
For 4 mm glass, it is highly recommended to use the pads: 2 pcs on the front-side of the panel and one on the back.

**NOVA System**



Install the decorative ring on the front-side of the panel. Fix the lock to the panel with 3,5°25 mm self-tapping screws instead of the flat point type.

**WAVE System**

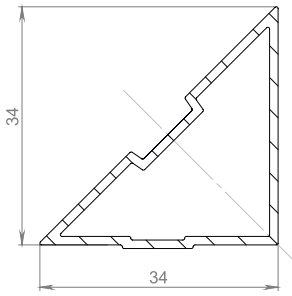


For 4 mm glass, it is highly recommended to use the pads: 1 pcs on the front-side of the panel and 2 pcs on the back.



\* The measurements indicated above are true for 4mm and 8 mm panels

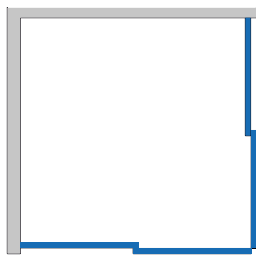
Installation of the Corner Solution



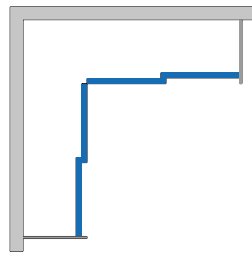
The corner profile allows you to fully utilize corner locations (e.g. for 45° and 90° corners in sliding door wardrobes and walk-in wardrobes).

The system is easy to mount and is compatible with Stile Fusion in the Standard Sliding System and the "4 in 1" System.

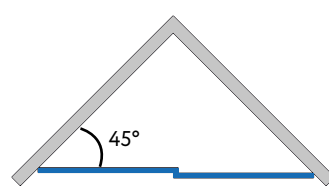
Possible Applications



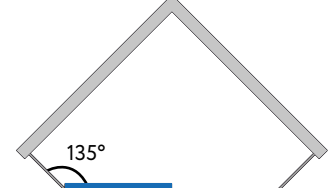
1 90° Outer Corner – Sliding Door Wardrobe or Walk-in Closet



2 90° Inner Corner - Built-in Sliding Door Wardrobe

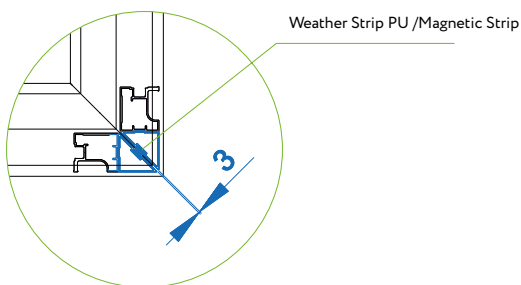
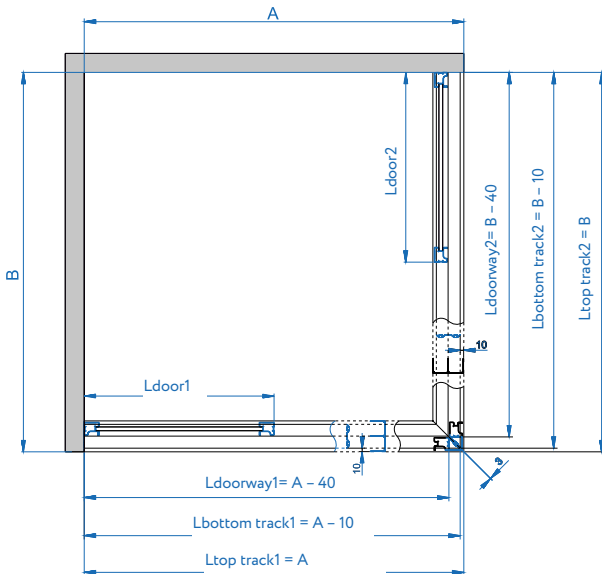


3 45° Inner Corner - Built-in Sliding Door Wardrobe without Side Panels



4 135° Inner Corner - Built-in Sliding Door Wardrobe

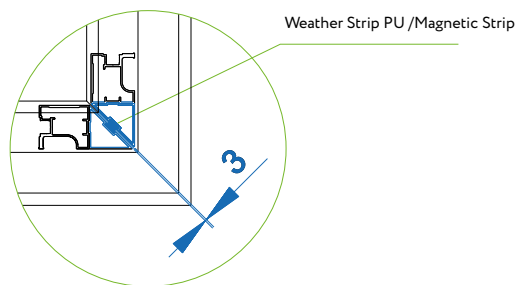
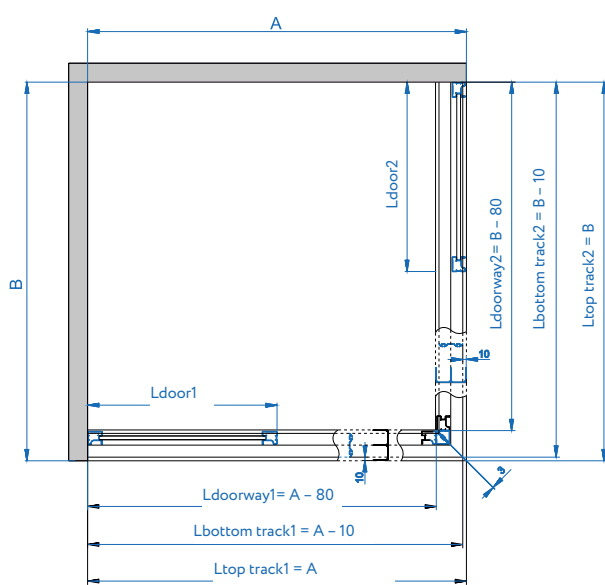
Outer Corner. Four Doors



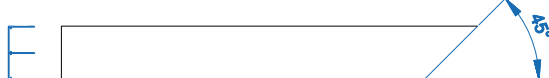
45° edge of top and bottom tracks



Outer Corner. Five and More Doors

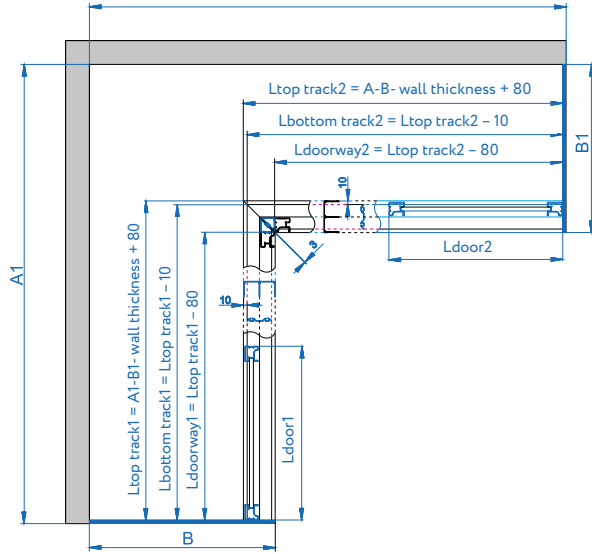


45° edge of top and bottom tracks

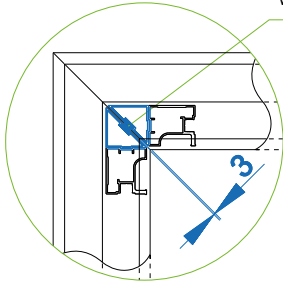


Ldoor and Hdoor are calculated according to the standard tables basing on known Ldoorway and Hdoorway.

Inner Corner. Four Doors



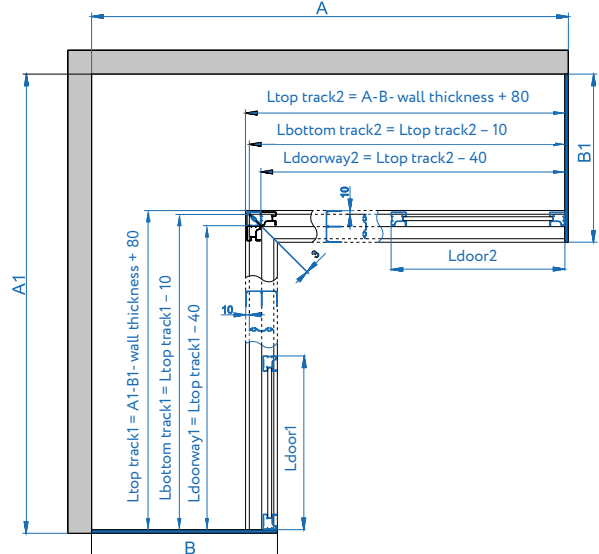
Weather Strip PU /Magnetic Strip



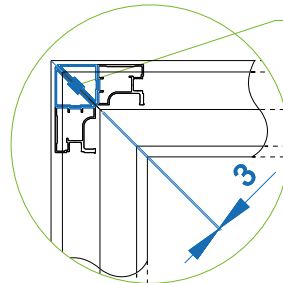
45° edge of top and bottom tracks



Inner Corner. Five or More Doors



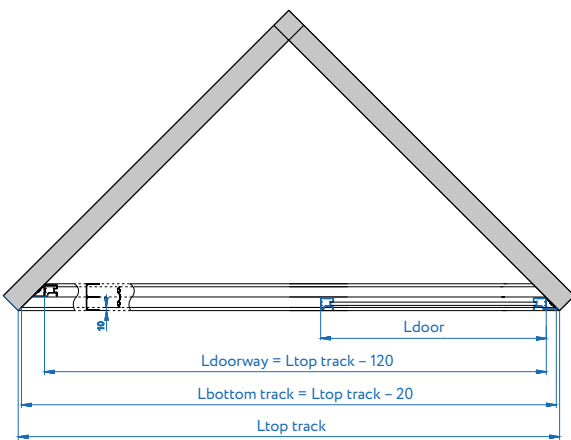
Weather Strip PU /Magnetic Strip



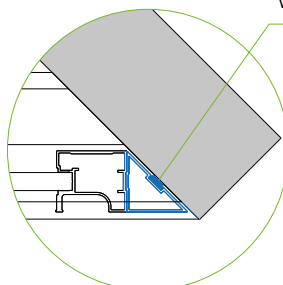
45° edge of top and bottom tracks



45° Inner Corner. Two Doors



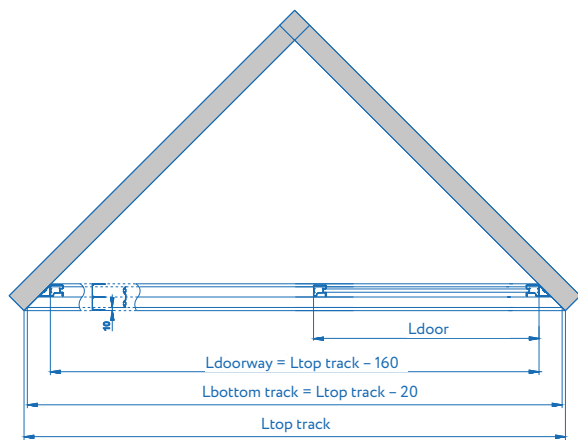
Weather Strip PU /Magnetic Strip



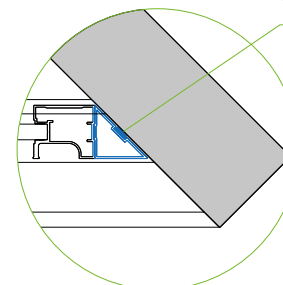
45° edge of top and bottom tracks



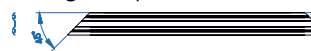
45° Inner Corner. Three or More Doors



Weather Strip PU /Magnetic Strip

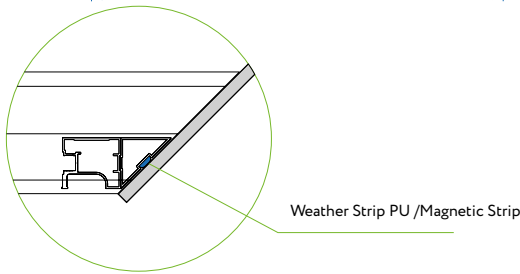
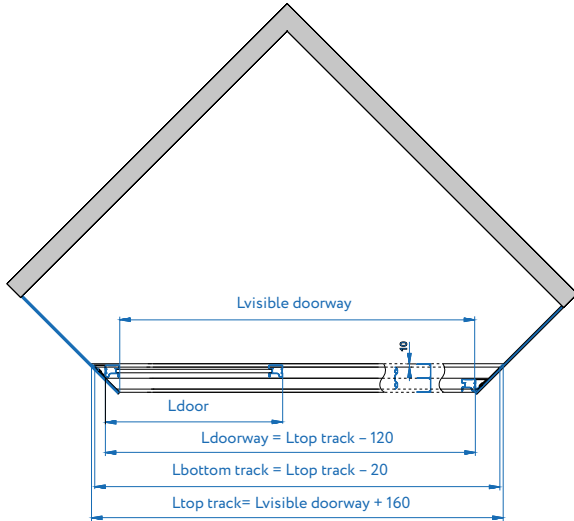


45° edge of top and bottom tracks

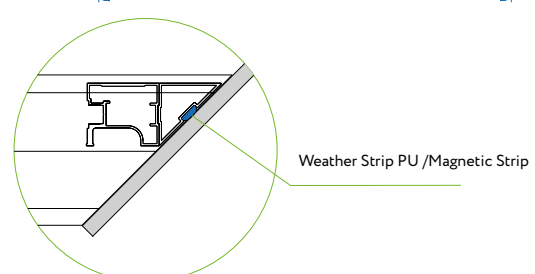
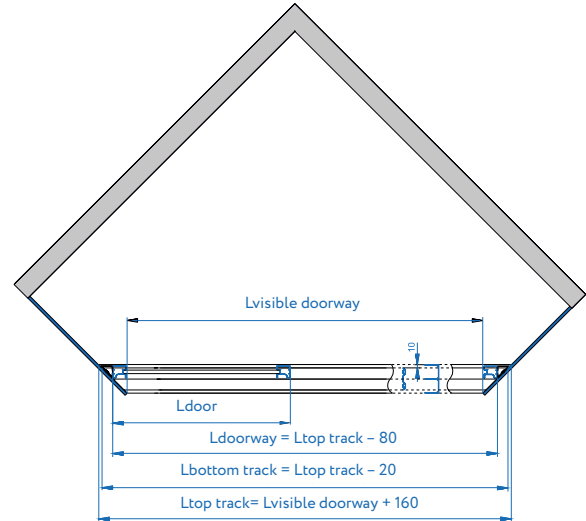


Ldoor and Hdoor are calculated according to the standard tables basing on known Ldoorway and Hdoorway.

135° Inner Corner. Two Doors



135° Inner Corner. Three or More Doors



45° edge of top and bottom tracks



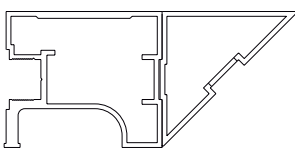
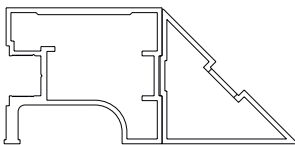
45° edge of top and bottom tracks



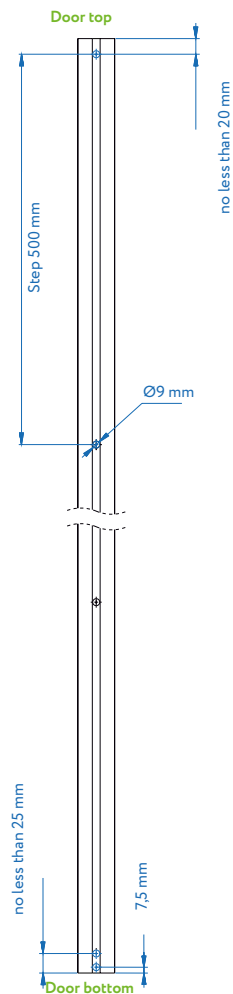
Fixation of the Corner Profile

The corner profile is fixed with 3.5°1.6 mm screws. The screwdriver bit should be long and of small diameter to avoid deformation of the profiles.

Installation options

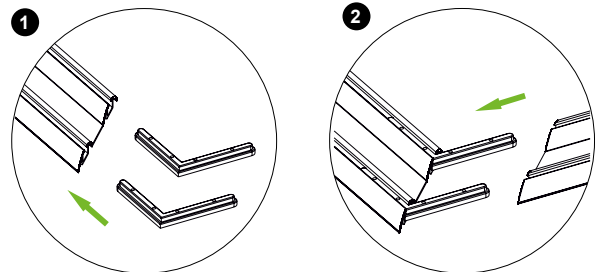


Bottom hole for door adjustment

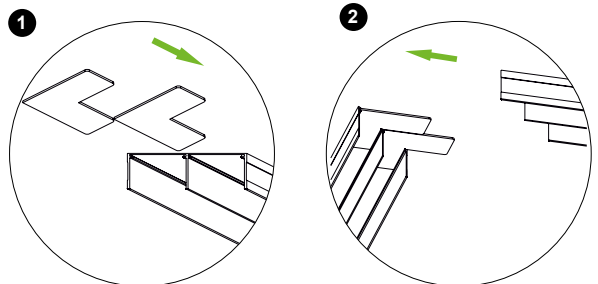


Connecting the Tracks - Special Accessories

Bottom Tracks



Top Tracks



Ldoor and Hdoor are calculated according to the standard tables basing on known Ldoorway and Hdoorway.



# WAVE System

The new WAVE system combines subtle thin lines and elegant frames. The variety of the panel materials and the simple assembly make it a relevant addition to your product range.

The door frames look even more elegant due to identical designs of the vertical and horizontal profiles. An invisible wide horizontal profile provides the necessary structural rigidity and the ability to install the system with a hidden top track on brackets (similar to Aristo's NOVA system). The doors are assembled with the fittings that you already know from our Standard system.



WAVE System



  
**3200**<sub>mm</sub>  
 Max door  
 height

  
**500-1200**<sub>mm</sub>  
 Door  
 width

  
 up to **80** kg  
 Door  
 weight



Cut-in  
lock



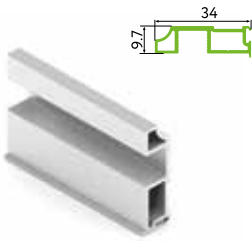
Two axis  
adjustment

WAVE MAX System

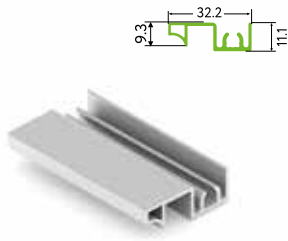
Interior:  
 WAVE System  
 Black Sandy Color



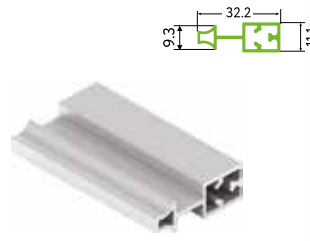
**WAVE System. Profile Range**



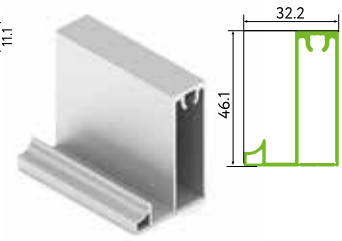
**AV0650.VP540**  
**Stile WAVE**  
10 pcs in the package



**AV0588.VP540**  
**Top Rail WAVE**  
10 pcs in the package



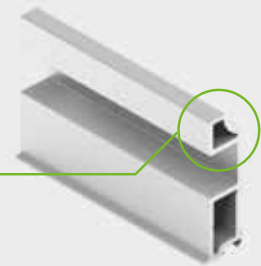
**AV0590.VP540**  
**Dividing Rail WAVE**  
10 pcs in the package



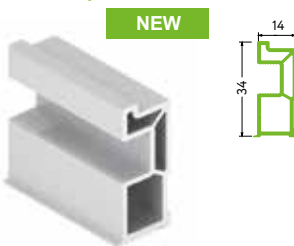
**AV0589.VP540**  
**Bottom Rail WAVE, Multi-purpose**  
10 pcs in the package

**Stile WAVE**

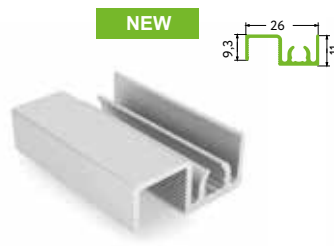
The protruding part is only 5 mm, visible part 9.5 mm



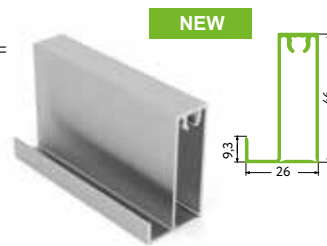
**WAVE MAX System. Profile Range**



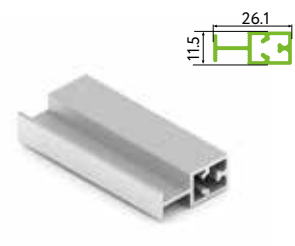
**AV0793.VP540**  
**Stile WAVE MAX**  
10 pcs in the package



**AV0734.VP540**  
**Top Rail WAVE MAX**  
10 pcs in the package

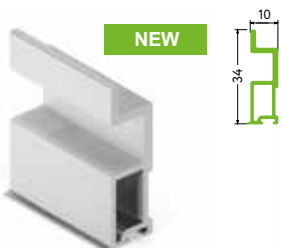


**AV0735.VP540**  
**Bottom Rail WAVE MAX**  
10 pcs in the package

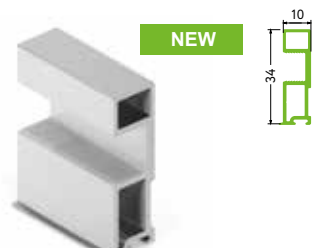


**AV0700.VP540**  
**Universal Dividing Rail WAVE\***  
10 pcs in the package

\* Suitable for WAVE, WAVE MAX and WAVE Decor

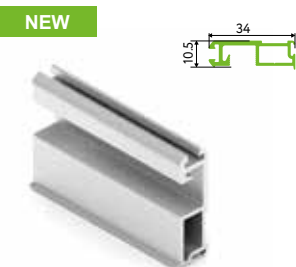


**AV0736.VP540**  
**Stile WAVE I**  
10 pcs in the package

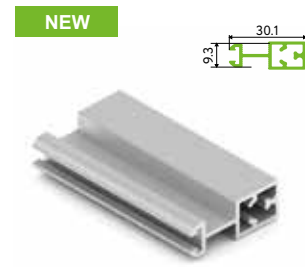


**AV0737.VP540**  
**Stile WAVE Column**  
10 pcs in the package

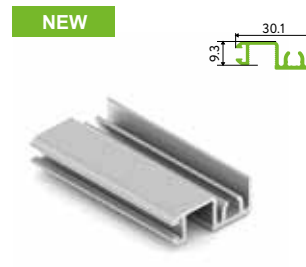
**WAVE Decor System. Profile Range**



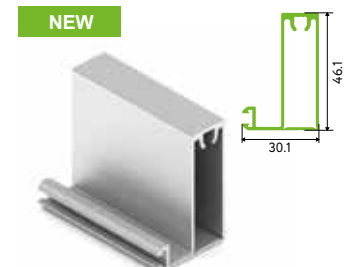
**AV0696.VP540**  
**Stile WAVE Decor**  
10 pcs in the package



**AV0699.VP540**  
**Dividing Rail WAVE Decor**  
10 pcs in the package



**AV0697.VP540**  
**Top Rail WAVE Decor**  
10 pcs in the package



**AV0698.VP540**  
**Bottom Rail WAVE Decor, Multi-purpose**  
10 pcs in the package



AV0065.AM030.00AEP.CA  
**Crystal Chain**

Colors: silver metal, clear crystal  
30 m/roll



AV0065.AM030.DBAEP.CA  
**Crystal Chain**

Colors: silver metal, dark blue crystal  
30 m/roll



AV0065.AM030.BKAEP.CA  
**Crystal Chain**

Colors: silver metal, black crystal  
30 m/roll



AV0066.AM030.00AEP.CA  
**Crystal Chain**

Colors: golden metal, clear crystal  
30 m/roll



AV0067.AM030.BKAEP.CA  
**Crystal Chain**

Colors: mercury, black crystal  
30 m/roll



NEW

AV0070.VM050.BK000.CN  
**Decorative Insert 4x4**

Color: black  
200 m/roll



NEW

AV0070.VM200.SL000.CN  
**Decorative Insert 4x4**

Color: matt chrome  
200 m/roll



NEW

AV0070.VM200.WH000.CN  
**Decorative Insert 4x4**

Color: white  
200 m/roll

Interior:

WAVE Decor System  
Black Color  
Accessories:  
Decorative Insert, black



## WAVE System. Accessories



AV0167.VR000

### Brackets for Outer Door

The set includes:  
Bracket for outer door - 2 pcs;  
Top roller - 2 pcs



AV0166.VR000

### Brackets for Inner Door

The set includes:  
Bracket for inner door - 2 pcs;  
Top roller - 2 pcs



AV0160.VS000

### Rollers Set V

The set includes: top roller - 2 pcs; bot-  
tom roller - 2 pcs; screws - 4 pcs, adjusting  
screws - 2pcs, protective cap - 1 pc. 100 sets  
per pack



NEW

AS0071.VS000

### Top Security Roller

100 pcs per pack



AA0056.VM150

### Plug-in Weather Strip, 5 mm

Colors: silver, black, white, brown, bronze,  
gold



AV0064.VM100, AV0063.VM100,  
AV0069.VM100

### Gasket U shape, PVC, low, 4 mm, 5 mm, 8 mm

Color: transparent, black  
100 m/roll



AA0104.VM200

### Weather Strip PU

Colors: white, grey, brown, black  
200 m/roll



NEW

AA0037.VP000

### Overhead Handle

180x40x10 mm  
Colors: black matt, silver matt, white matt,  
champagne matt, champagne glossy, gold  
glossy



AA0493.VP000.ZN0EP.CO\*

### Middle door soft closer AIR

In the kit: soft closer 1 pc,  
actuator for a middle door 1 pc



AA1123.VR000.ZN0EP.CO\*

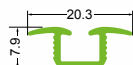
### Soft closer for one-line doors AIR

In the kit: soft closer 1 pc,  
actuator for one-line doors 1 pc

\* For the option with open track installation

## Standard System. Elements

NEW



AS0690.VP540

### Recessed Single Bottom Track

8 pcs in the package



AS0108.AP540

### Single Bottom Track

10 pcs in the package



AS0504.VP540

### Double Bottom Track

10 pcs in the package



AS0714.VP540

### Single Top Track

8 pcs in the package



AS0713.VP540

### Double Top Track

10 pcs in the package

NEW



AS0103.VP000  
**Bottom Track positioner crown**  
100 pcs per pack



AA0230.VR000; AA0250.VR000;  
AA0270.VR000  
**Universal Soft Closers for Sliding Door**  
The set includes:  
soft closer, right - 1 pc; soft closer, left - 1 pc;  
recurrent plate - 2 pcs; screws 4°16 - 8 pcs; plate "60470" - 2 pcs; screws 4°9 - 2 pcs; attachment element - 2 pcs; additional spring "10-15kg" (only for "10-30kg" and 30-50kg sets) - 2 pcs; additional spring "50-70kg" (only for "30-50kg" sets);  
1,5 mm plate - 2 pcs  
25 pcs per pack.



AA8884.VM200, AA8885.VM240,  
AA8886.VM250, AA8888.VM320  
**Silicon Gasket U Shape**  
4 mm - 200 m/roll  
5 mm - 240 m/roll  
6 mm - 250 m/roll  
8 mm - 320 m/roll



AA0075.VP000  
**Screw 6x30**  
5000 pcs per pack



AS0101.VP000  
**Bottom Track Positioner**  
100 pcs per pack



AS0102.VP000  
**Bottom Track Stopper**  
200 pcs per pack



NA3995.VP000  
**Screw, 3,9x9,5, Round Head**  
300 pcs per pack



AS0812.VP000  
**Universal Lock for Sliding Doors**  
Colors: silver, gold, champagne, white, black  
1/100 pcs per pack



AS0001.AP000.TR000.CY  
**Top Track Positioner**  
125 pcs per pack



AA0040.VP000.IN0EP.CO  
**Weather Strip Clip 9x5, Inox**  
100 pcs per pack



AA0040.VP000.BK000.CO  
**Weather Strip Clip 9x5, Black**  
100 pcs per pack



AS0030.VP000  
**Single Bottom Track End Cover, Metal**  
Colors: gold, silver, champagne, bronze, black, white  
10 pcs per pack



AS0029.VP000  
**Double Bottom Track End Cover, Metal**  
Colors: gold, silver, champagne, bronze, black, white  
10 pcs per pack



AS0025.VP000  
**Single Top Track End Cover, Metal**  
Colors: gold, silver, champagne, bronze, white, black



AS0026.VP000  
**Double Top Track End Cover, Metal**  
Colors: gold, silver, champagne, bronze, white, black



AS0053.VP000  
**Hole Cover, Self-adhesive**  
Colors: gold, silver, champagne, bronze, black  
100 pcs per pack



AS0027.VP000  
**Double Top Track End Cover, Plastic**  
Colors: gold, silver, champagne, bronze  
1/10 pcs per pack



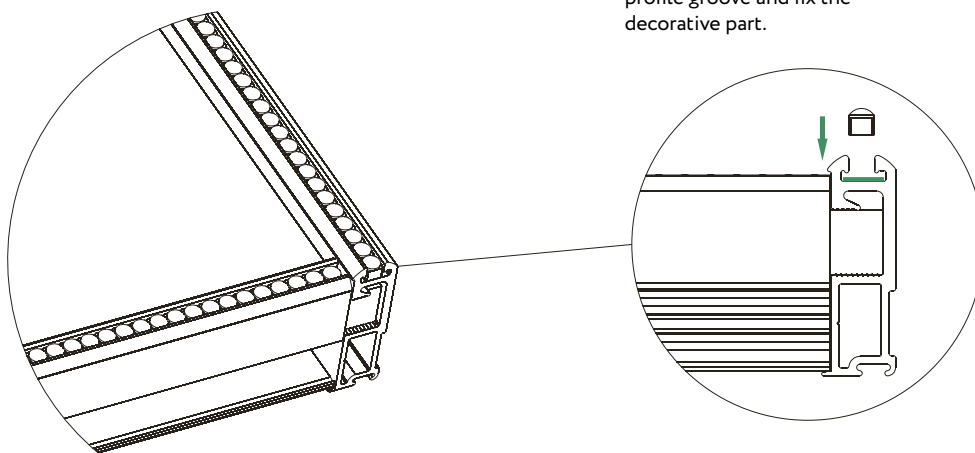
AS0022.VP000  
**Single Bottom Track End Cover, Plastic**  
Colors: gold, silver, champagne, bronze  
1/10 pcs per pack



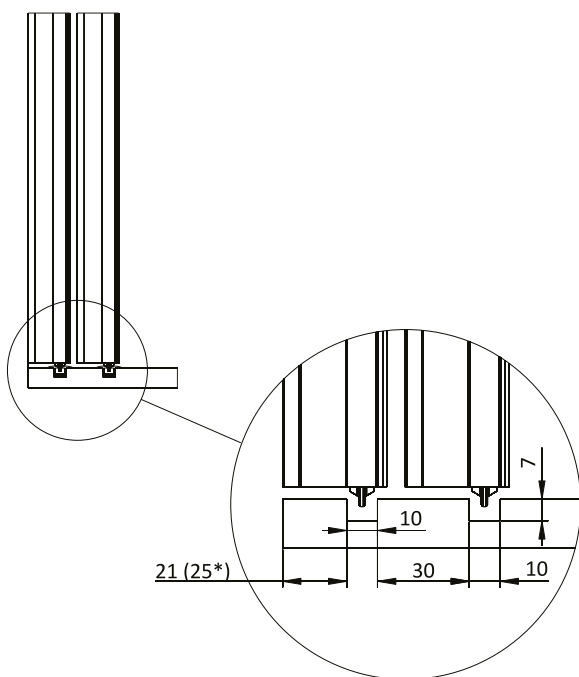
AA0100.VM500  
**Dust Protection Gasket**  
500m/roll



AA0084.VM100  
**Silicon Gasket U Shape, Multi-purpose**  
Colors: black  
4 mm, 100 m/roll



Apply a suitable glue inside profile groove and fix the decorative part.



Door Height Calculation

Visible top track for built-in installation:  
 Door height = Opening height - 39 mm

Hidden top track for built-in installation:  
 Door height = Opening height - 28 mm

Hidden top track for cabinet installation:  
 Door height = Internal height of the wardrobe doorway + 12 mm

\*Visible top track for built-in installation



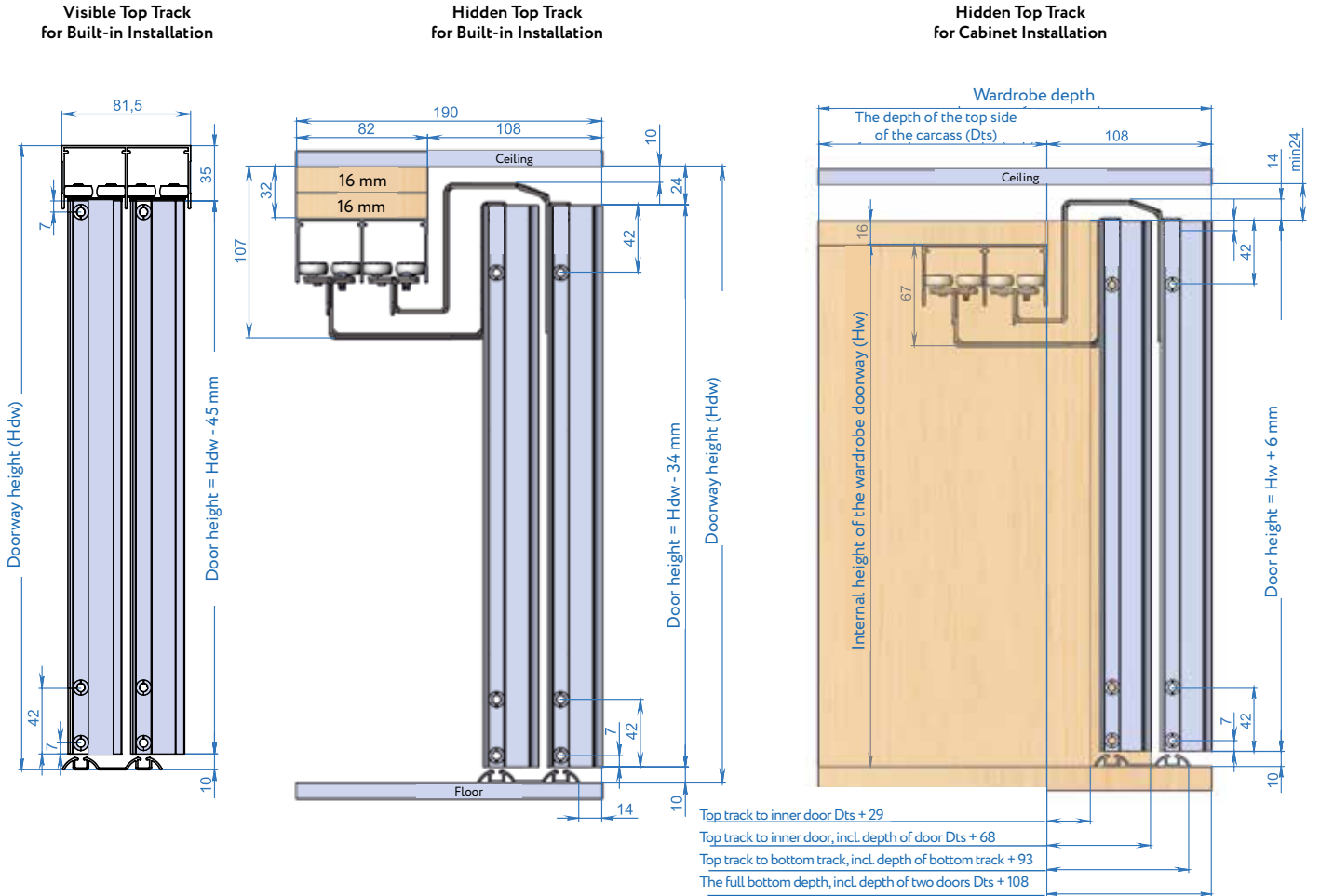
**Interior:**

*WAVE Decor System  
Silver Matt Color*

*Accessories:  
Crystal Chain, silver metal,  
dark blue crystal*

Recommended Sizes and Weights of Doors and Partitions			
	Door height, mm	Door width, mm	Door weight, kg
WAVE System	up to 2650	up to 500-1000	up to 60

\*The permissible height-to-width ratio for sliding doors and partitions is no more than 4/1 (The recommended one is 3/1)



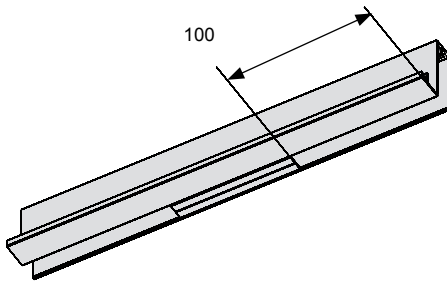
WAVE System Doors Width Calculation						
Door qty	Overlap qty (Overlap Width is 12 mm)	Mode	Sign	Formula (without weather strip)	Formula (with weather strip)	
2 pcs	1		Ld.	$Ld = (Ldw + 10 \text{ mm})/2$	$Ld = Ldw/2$	
3 pcs	2			$Ld = (Ldw + 20 \text{ mm})/3$	$Ld = (Ldw + 10 \text{ mm})/3$	
4 pcs	3			$Ld = (Ldw + 30 \text{ mm})/4$	$Ld = (Ldw + 30 \text{ mm})/4$	
4 pcs	2			$Ld = (Ldw + 20 \text{ mm})/4$	$Ld = Ldw/4$	
5 pcs	4			$Ld = (Ldw + 40 \text{ mm})/5$	$Ld = (Ldw + 30 \text{ mm})/5$	



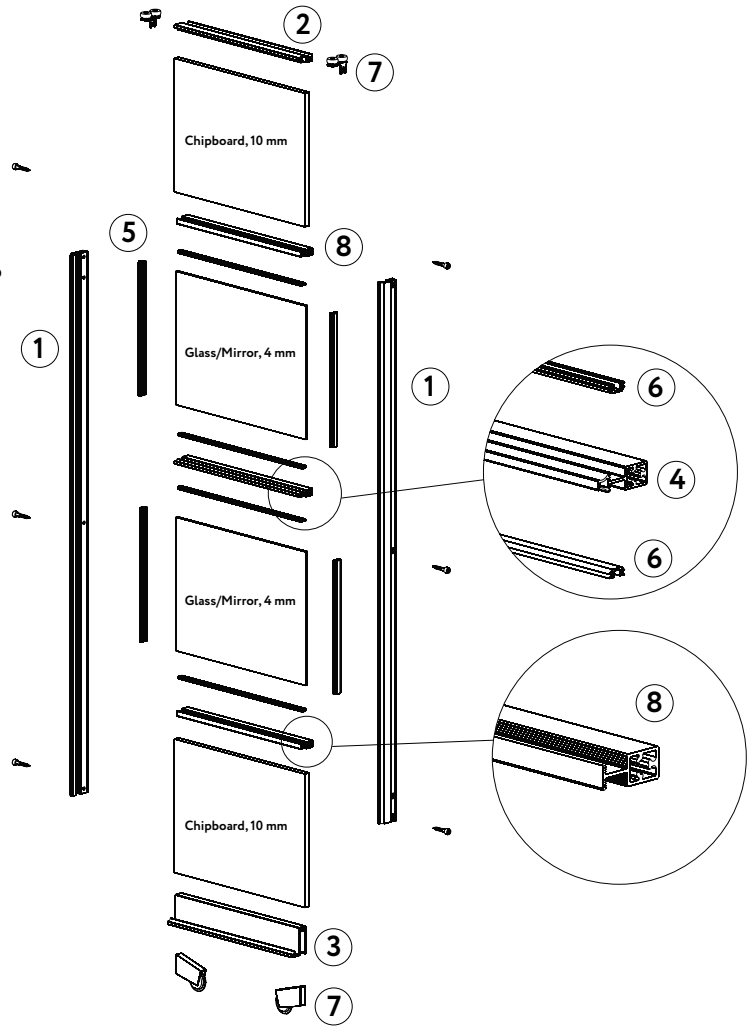
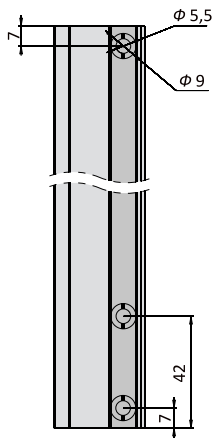
It is not recommended to install the dividing rail vertically, since it will require complex milling of the ends of the dividing rail to match the shape of the horizontal rails. The grooves of the dividing rail are 4mm deep and do not provide reliable vertical inserting of the door.

1. Stile WAVE
2. Top Rail
3. Bottom Rail
4. Dividing Rail
5. Gasket U Shape, PVC, 4 mm
6. WAVE gasket U shape, PVC, 4 mm
7. Rollers set V
8. Dividing Rail WAVE 700

1 Remove approx. 100 mm of the bottom rail wall with pliers to install the bottom rollers.



2 Making the holes:  
Drilling scheme for WAVE System stiles



Panel Height Calculation According to the Material Type		
Panel type	Sign	Formula
Chipboard, 10 mm	<b>Hp</b>	$H_p = H_d - 3 \text{ mm}$
Chipboard, 8 mm	<b>Hp</b>	$H_p = H_d - 5 \text{ mm}$
Glass/Mirror, 4 mm	<b>Hp</b>	$H_p = H_d - 6 \text{ mm}$

Panel Width Calculation According to the Material Type		
Panel type	Sign	Formula
Chipboard, 10 mm	<b>Lp</b>	$L_p = L_d - 4 \text{ mm}$
Chipboard, 8 mm	<b>Lp</b>	$L_p = L_d - 6 \text{ mm}$
Glass/Mirror, 4 mm	<b>Lp</b>	$L_p = L_d - 7 \text{ mm}$

$$H_d = H_{dw} - 45$$

$$L_d = (L_{dw} - 10 + (N_d - 1) \cdot 10) / N_d$$

$$L_{hr} = L_d - 19$$

The dividing rail reduces the panel's height by the following values (according to possible insert combinations):		
Chipboard 10 mm / Chipboard 10 mm	Chipboard 10 mm / Glass/Mirror 4 mm	Glass/Mirror 4 mm / Glass/Mirror 4 mm
<b>1.5 mm</b>	<b>2.5 mm</b>	<b>3.5 mm</b>



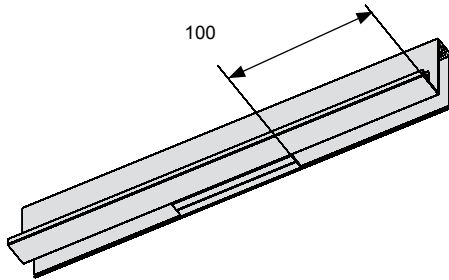
**Recommendation:**  
Fix the dividing rail in the center of the door.

**Note:**  
The top rollers must not go beyond the overall dimensions of the door.

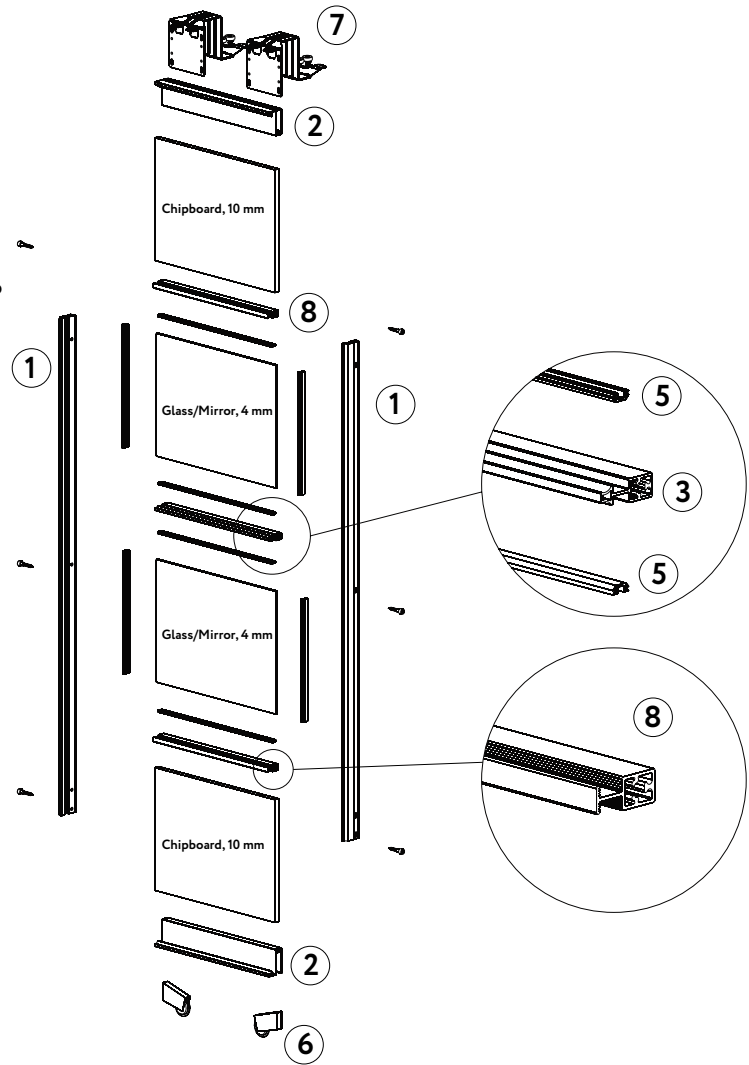
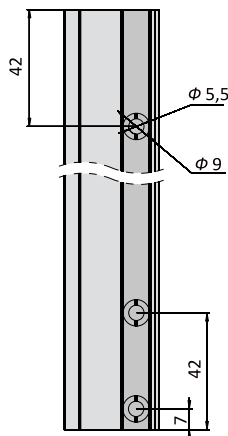


1. Stile WAVE
2. Bottom Rail
3. Dividing Rail
4. Gasket U Shape, PVC, 4 mm
5. WAVE gasket U shape, PVC, 4 mm
6. Rollers set V
7. Brackets
8. Dividing Rail WAVE 700

1 Remove approx. 100 mm of the bottom rail wall with pliers to install the bottom rollers.  
Do not apply any changes to the second rail.



2 Making the holes:  
Drilling scheme for WAVE System stiles.



Panel Height Calculation According to the Material Type		
Panel type	Sign	Formula
Chipboard, 10 mm	Hp	$H_p = H_{dw} - 3 \text{ mm}$
Chipboard, 8 mm	Hp	$H_p = H_{dw} - 5 \text{ mm}$
Glass/Mirror, 4 mm	Hp	$H_p = H_{dw} - 6 \text{ mm}$

Panel Width Calculation According to the Material Type		
Panel type	Sign	Formula
Chipboard, 10 mm	Lp	$L_p = L_{dw} - 4 \text{ mm}$
Chipboard, 8 mm	Lp	$L_p = L_{dw} - 6 \text{ mm}$
Glass/Mirror, 4 mm	Lp	$L_p = L_{dw} - 7 \text{ mm}$

Doors in the doorway:  
 $H_d = H_{dw} - 34$   
 $L_d = (L_{dw} - 10 + (N_d - 1) * 10) / N_d$   
 Doors in the cabinet:  
 $H_d = H_w + 6$   
 $L_d = (L_{dw} - (N_d - 1) * 10) / N_d$   
 $L_{hr} = L_d - 19$

The dividing rail reduces the panel's height by the following values (according to possible insert combinations):		
Chipboard 10 mm / Chipboard 10 mm	Chipboard 10 mm / Glass/Mirror 4 mm	Glass/Mirror 4 mm / Glass/ Mirror 4 mm
<b>1.5 mm</b>	<b>2.5 mm</b>	<b>3.5 mm</b>



**Recommendation:**  
Fix the dividing rail in the center of the door.

**Note:**  
Fix the brackets with 3.9°9.5 mm screws  
(6 pcs for one bracket).



Interior:  
*WAVE Decor System,  
Silver Matt Color*

# NOVA System

With our modern doors we strive for minimalism and emphasize both simplicity and functionality. Ultra-slim and discreet profiles with a visible front of only 5 mm width fit any decoration.

Our unique brackets allow you to hide the top track and give the whole system a clear and finished look. The design and craftsmanship of our rollers ensure smooth and quiet movements.

We have designed the profiles for the most popular thickness of panels – 16 and 18 mm – and offer a wide range of colors and finishes for almost infinite design options.



  
**2750** mm  
Max door  
height

  
**500-1500** mm  
Door  
width

  
up to **80** kg  
Door  
weight

  
Soft closer  
for smooth door  
closing

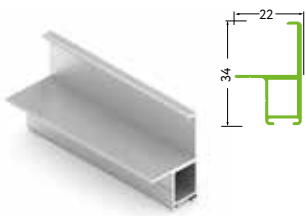
  
Cut-in  
lock

  
Two axis  
adjustment



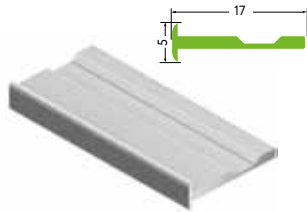
Interior:  
*NOVA Sliding System*  
*Black Sandy Color*

## NOVA System. Profile Range



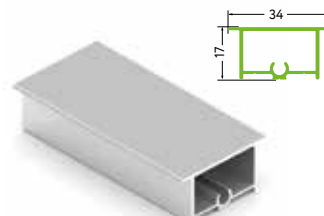
NB0487.VP540 (16 mm board)  
NB0479.VP540 (18 mm board)  
**Stile NOVA**

12/10 pcs per pack



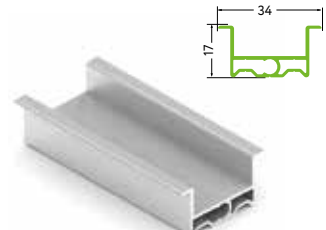
NB0442.VP540 (16 mm board)  
NB0478.VP540 (18 mm board)  
**Horizontal Rail**

50 pcs per pack



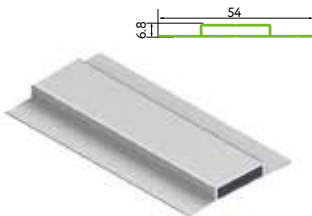
NB0486.VP540 (16 mm board)  
NB0476.VP540 (18 mm board)  
**Dividing Rail**

12/10 pcs per pack



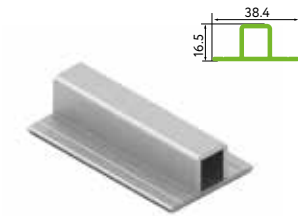
NB0485.VP540 (16 mm board)  
NC0751.VP540 (18 mm board)  
**Handle Rail NOVA**

12/10 pcs per pack



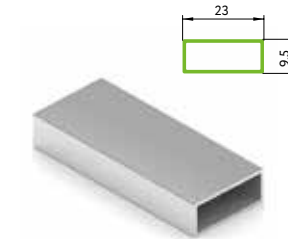
NA0480.VP540  
**Connecting profile**

16 pcs per pack



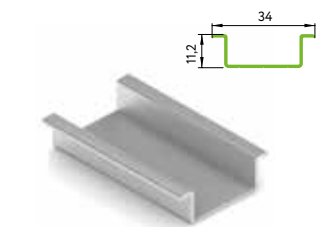
NB0638.VP540 (16 mm board)  
NB0675.VP540 (18 mm board)  
**Vertical Support Profile**

20 pcs per pack



NB0745.VP540  
**Infill for Cut-in Handle**

10 pcs per pack



NB0746.VP540  
**Handle Rail 10 mm**

12 pcs per pack

Recommendation:  
All anodizing and powder coating colors from Standard System EXW China are available.

## NOVA System. Accessories



NA0208.VP200  
**Overhead Straightener**

10 pcs per pack



NA0166.VR000  
**Brackets for Inner Door**

2 pcs/set  
Screw - 4 pcs



NA0167.VR000  
**Brackets for Outer Door**

2 pcs/set  
Screw - 4 pcs



AA0230.VR000; AA0250.VR000;  
AA0270.VR000  
**Universal Soft Closers for Sliding Door**

The set includes:  
soft closer, right - 1 pc; soft closer, left - 1 pc;  
recurrent plate - 2 pcs; screws 4x16 - 8 pcs; plate "60470" - 2 pcs; screws 4x9 - 2 pcs; attachment element - 2 pcs; additional spring "10-15kg" (only for "10-30kg" and 30-50kg sets) - 2 pcs; additional spring "50-70kg" (only for "30-50kg" sets);  
1,5 mm plate - 2 pcs  
25 pcs per pack.



NA0205.VP000  
**Support Plate**

500 pcs per pack



NA0204.VP200  
**Cut-in Handle**

Colors: silver matt, white glossy,  
black matt  
1 pc. per pack



NB0160.VS000 (16 mm board)  
NC0160.VS000 (18 mm board)  
**Rollers Set NOVA**

The set includes:  
bottom roller - 2 pcs  
top roller - 2 pcs



NA2919.VP000  
**Screw, 2,9x19, Countersunk**

300 pcs per pack



NA2913.VP000  
**Screw, 2,9x13, Countersunk**

300 pcs per pack



NA3916.VP000  
**Screw, 3,9x16, Round Head**

300 pcs per pack



NA3995.VP000  
**Screw, 3,9x9,5, Round Head**

300 pcs per pack

**NOVA System. Accessories**



**NA0035.VP000**  
**Mortise Handle Tab**  
 1000 pcs per pack



**NA0036.VP000**  
**End Cap for Mortise Handle**  
 500 pcs per pack



**AA0493.VP000.ZN0EP.CO\***  
**Middle door soft closer AIR**  
 In the kit: soft closer 1 pc, actuator for a middle door 1 pc



**AA1123.VR000.ZN0EP.CO\***  
**Soft closer for one-line doors AIR**  
 In the kit: soft closer 1 pc, actuator for one-line doors 1 pc

**Standard System. Elements**



**AS0713.VP540**  
**Double Top Track**  
 10 pcs in the package



**AS0714.VP540**  
**Single Top Track**  
 8 pcs in the package

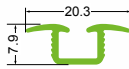


**AS0504.VP540**  
**Double Bottom Track**  
 10 pcs in the package



**AS0108.AP540**  
**Single Bottom Track**  
 10 pcs in the package

**NEW**



**AS0690.VP540**  
**Recessed Single Bottom Track**  
 8 pcs in the package



**AA0956.VM200**  
**Weather Strip**  
 Height - 5 mm, width - 9 mm.  
 200 m/roll



**AA0100.VM500**  
**Dust Protection Gasket**  
 500m/roll



**AA0104.VM200**  
**Weather Strip PU**  
 Colors: white, grey, brown, black  
 200 m/roll



**AS0030.VP000**  
**Single Bottom Track End Cover, Metal**  
 Colors: gold, silver, champagne, bronze, black, white  
 10 pcs per pack



**AS0029.VP000**  
**Double Bottom Track End Cover, Metal**  
 Colors: gold, silver, champagne, bronze, black, white  
 10 pcs per pack



**AS0812.VP000**  
**Universal Lock for Sliding Doors**  
 Colors: silver, gold, champagne, white, black  
 1/100 pcs per pack



**AS0001.AP000.TR000.CY**  
**Top Track Positioner**  
 125 pcs per pack

\* For the option with open track installation



Installation of the Soft Closers with a Visible Top Track

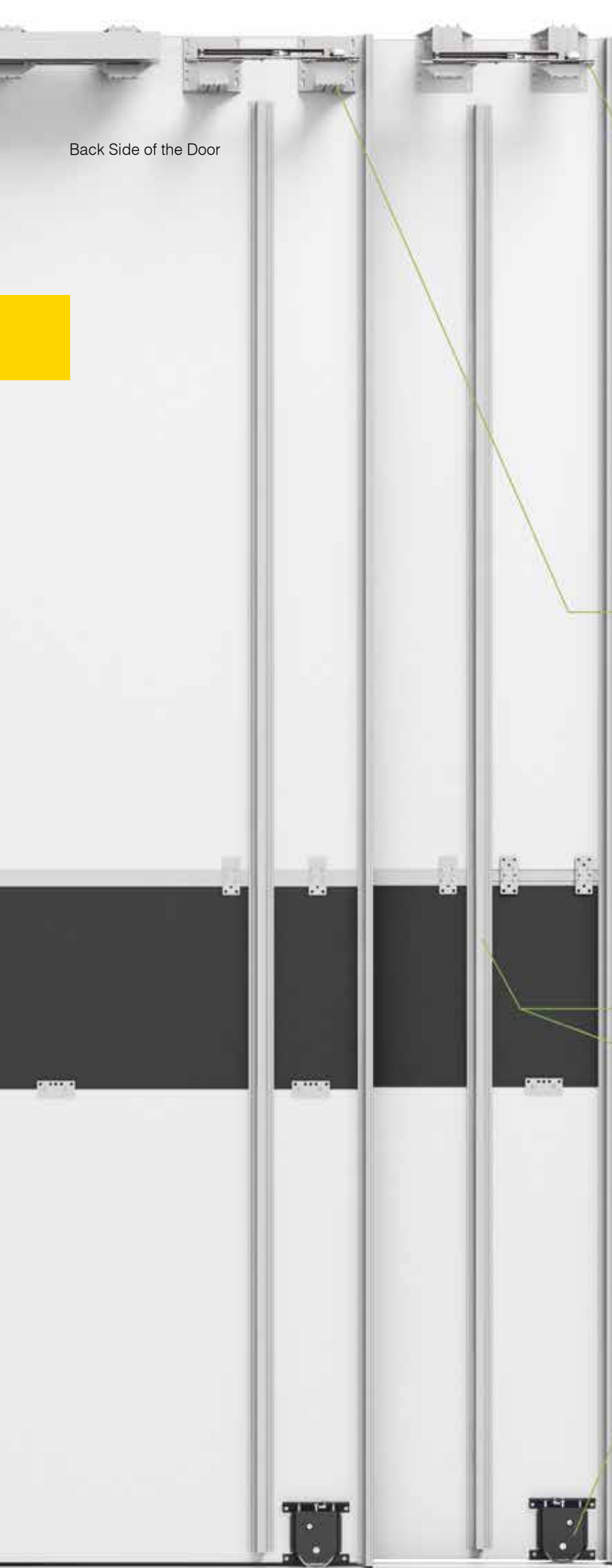


Installation of the Soft Closers with a Hidden Top Track



Installation Options of the Bottom Track





Back Side of the Door

Stile NOVA



Brackets for Outer Door + Top Roller



Horizontal Rail

Brackets for Inner Door + Top Roller



Support Profile

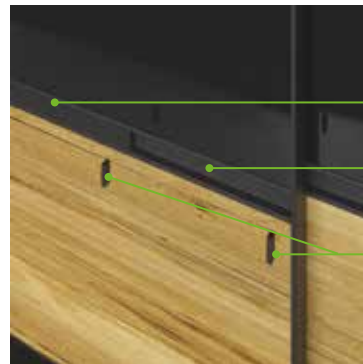
Bottom Roller



Double Bottom Track



When you fix the cut-in handle to the dividing rail, the handle becomes a part of it and benefits the continuous and flawless design.



Infill for Cut-in Handle

Handle Rail

Mortise Handle Tab



Assembly of the Cut-in Handle

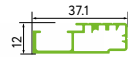




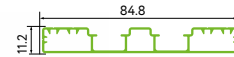


# NOVA System With Glass and Mirror

## NOVA System with Glass and Mirror. Elements



**NB0505.VP540**  
**Narrow Glass Frame Profile**  
10 pcs per pack



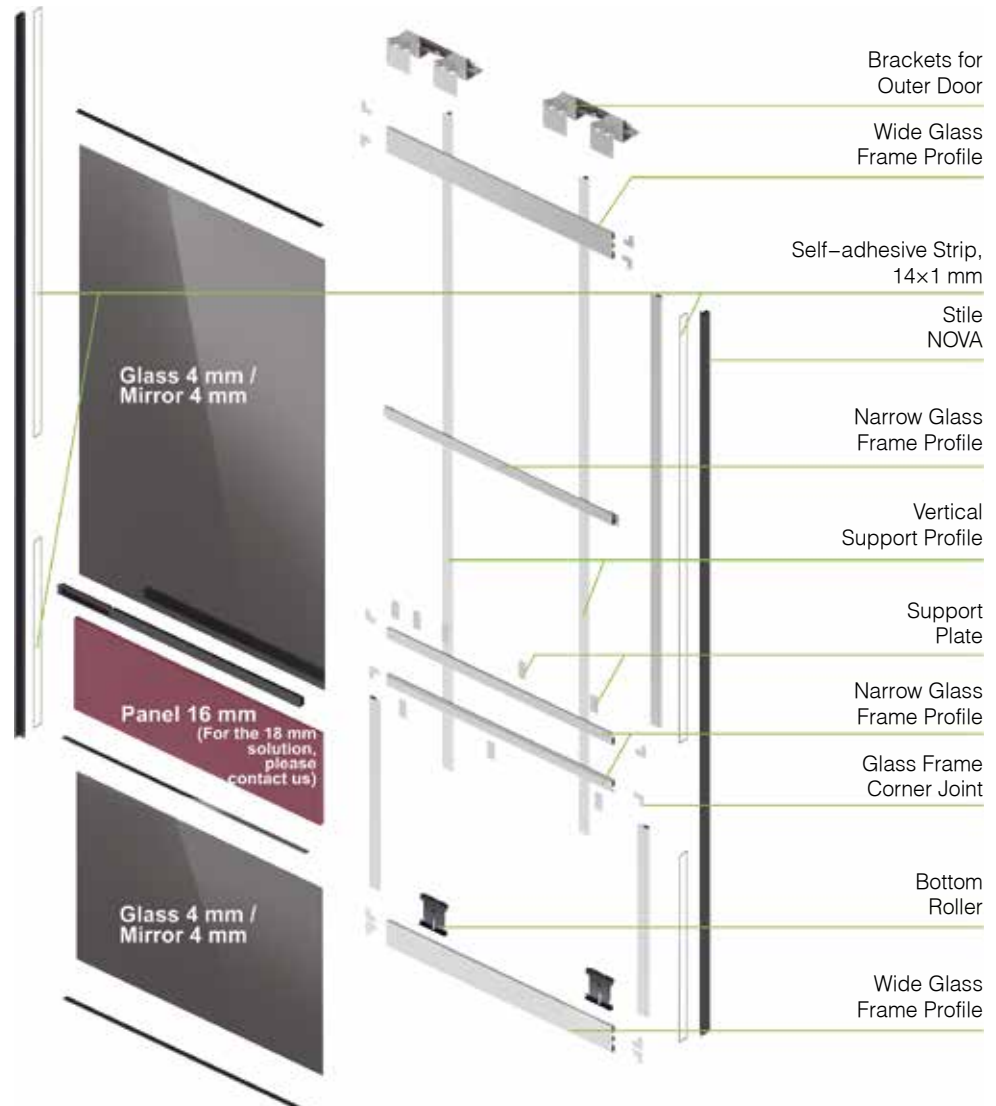
**NB0651.VP540**  
**Wide Glass Frame Profile**  
10 pcs per pack



**NA0097.VM100**  
**Self-adhesive Strip, 14×1 mm**  
450 m per roll



**NA0206.VP000**  
**Glass Frame Corner Joint**  
600 pcs per pack



Recommended Sizes and Weights of Doors and Partitions			
	Door Height, mm	Door Width, mm	Door Weight, kgs
NOVA Sliding Doors	up to 2750	up to 500-1500	up to 80

\* The permissible height-to-width ratio for sliding doors and partitions is no more than 4/1 (The recommended one is 3/1)

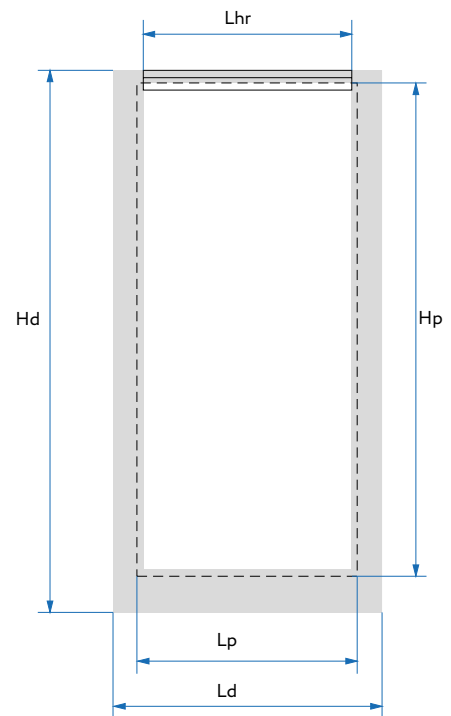
**Part Size Calculation**

- 1 Define the door's details: frames quantity, position of the handles, Top Track installation method (visible/hidden), door options (visible/hidden).
- 2 Measure the doorway.
- 3 Calculate the door's size.
- 4 Calculate the sizes of the door's parts, i.e. profiles, panels, etc.

If the door is over 900 mm wide or over 2400 mm high, it is recommended to install 1 or 2 support profiles on the back side of the door. Support profiles should be installed horizontally at the distance of 50 cm from the top and 50 cm from the bottom of the door.

Moreover, depending on the insert materials when the door is over 1 meter wide it is recommended to put a third bottom roller. Attention: When the inserts are prone to bending, it is recommended to install a middle frame and support profiles to reduce the internal pressure on the material.

Name	Code	Calculation
Doorway height	Hdw	-
Internal height of the wardrobe doorway	Hw	-
Doorway width	Ldw	-
Door height with visible top track	Hd	Hd=Hdw - 45 mm
Door height with hidden top track in the doorway	Hd	Hd=Hdw - 32 mm
Door height with hidden top track in the cabinet	Hd	Hd=Hw + 6 mm
Panel height	Hp	Hp=Hd - 7 mm
Panel width	Lp	Lp=Ld - 4 mm
Horizontal rail width	Lhr	Lhr=Ld - 10 mm
Support profile width	Lsp	Lsp=Ld - 44 mm
Doors quantity	Nd	-
Wardrobe depth	Dw	-
The depth of the top side of the carcass	Dts	Dts=Dw - 93 mm
Side width reaches to inner door	Lind	Lind=Dts + 14 mm
Side width reaches to outer door	Lexd	Lexd=Dts + 53 mm
Bottom depth	Db	Db=Dts + 93 mm



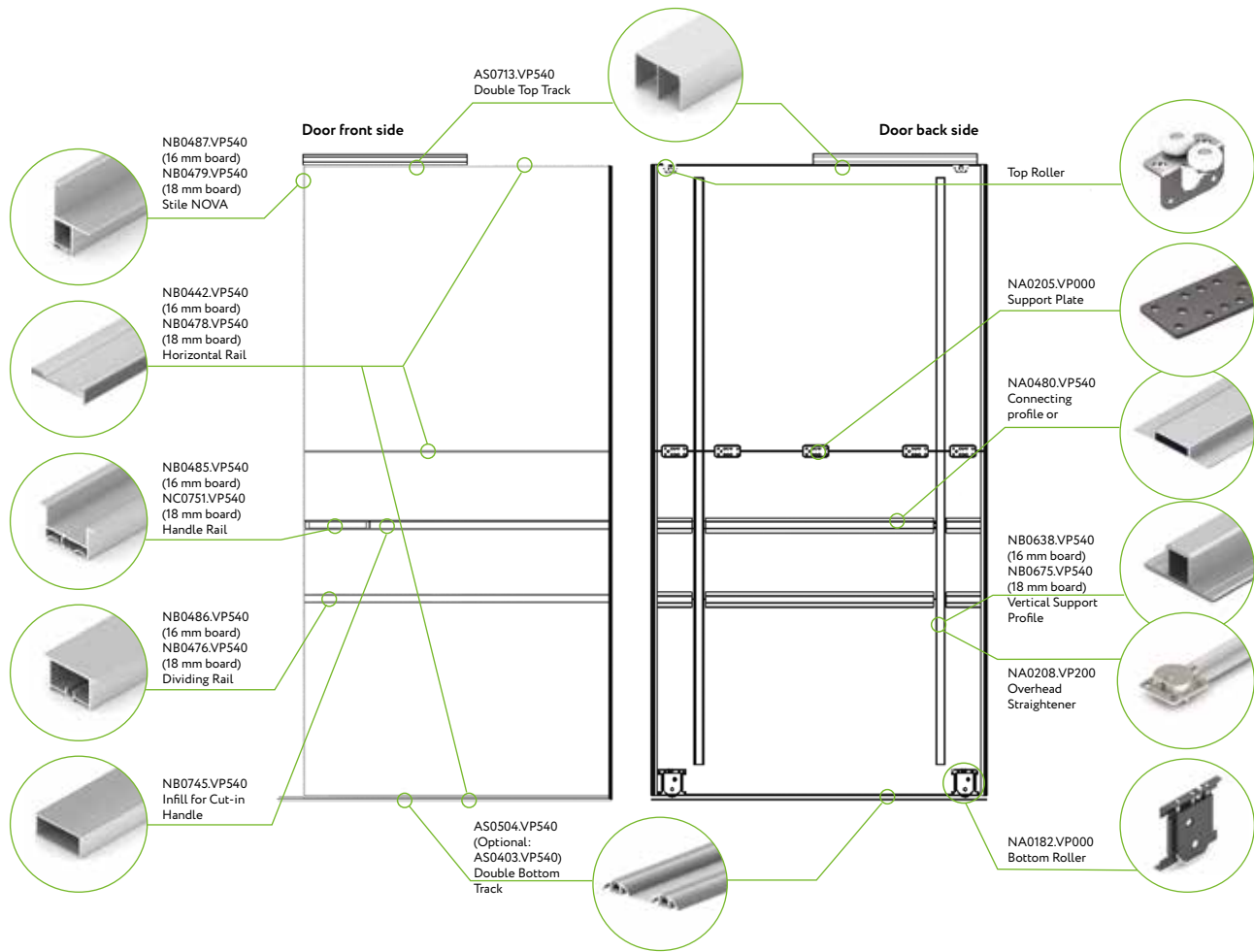
NOVA System Doors Width Calculation						
Door qty	Overlap qty (Overlap Width is 12 mm)	Mode	Sign	Formula (without weather strip)	Formula (with weather strip)	
2 pcs	1		Ld	$Ld = (Ldw + 12\text{ mm})/2$	$Ld = (Ldw+2)/2$	
3 pcs	2			$Ld = (Ldw + 24\text{ mm})/3$	$Ld = (Ldw + 14\text{ mm})/3$	
4 pcs	3			$Ld = (Ldw + 36\text{ mm})/4$	$Ld = (Ldw + 26\text{ mm})/4$	
4 pcs	2			$Ld = (Ldw + 24\text{ mm})/4$	$Ld = (Ldw+4)/4$	
5 pcs	4			$Ld = (Ldw + 48\text{ mm})/5$	$Ld = (Ldw + 38\text{ mm})/5$	



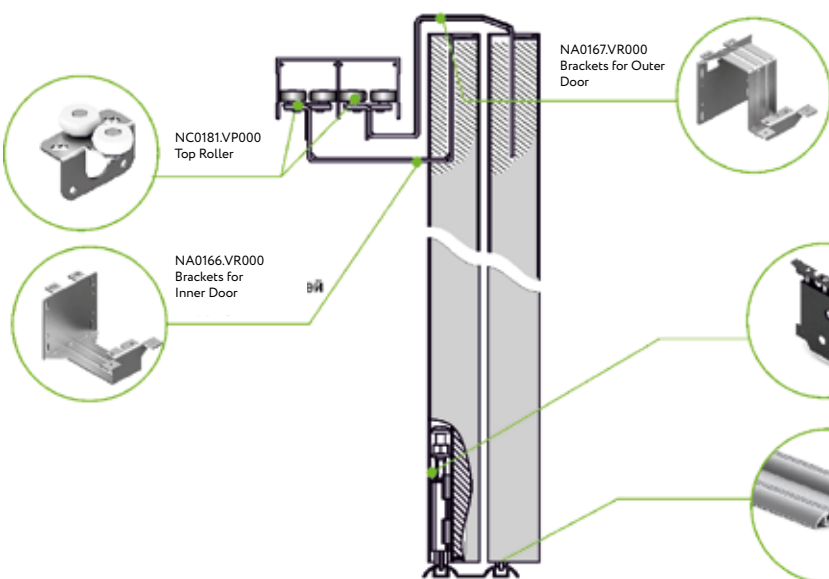
\* Many materials are prone to bend: chipboard with faulty production methods, materials not stored or transported on a flat plane, MDFs, materials equipped with different coatings in the back and in the front, materials with glued coatings (glue deforms the material), etc.

We also recommend to consider your own operating conditions - temperature and humidity differences, humidity above the average, proximity to sources of infrared radiation, etc. Any of these can lead to door bending as a consequence, even when using the support profiles - the bending may affect both the vertical or the horizontal axis to your and your customer's disadvantage.

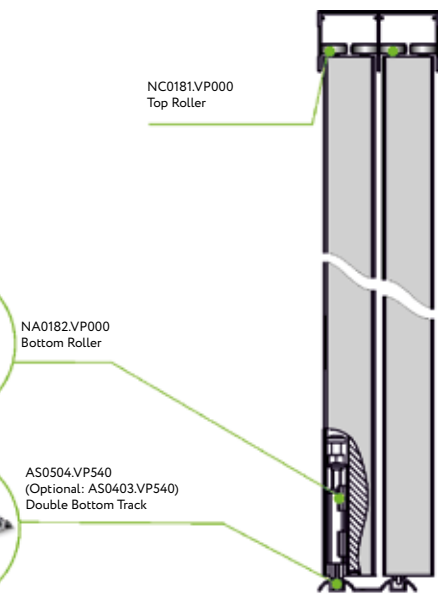




Top Track with Hidden Installation



Top Track with Visible Installation



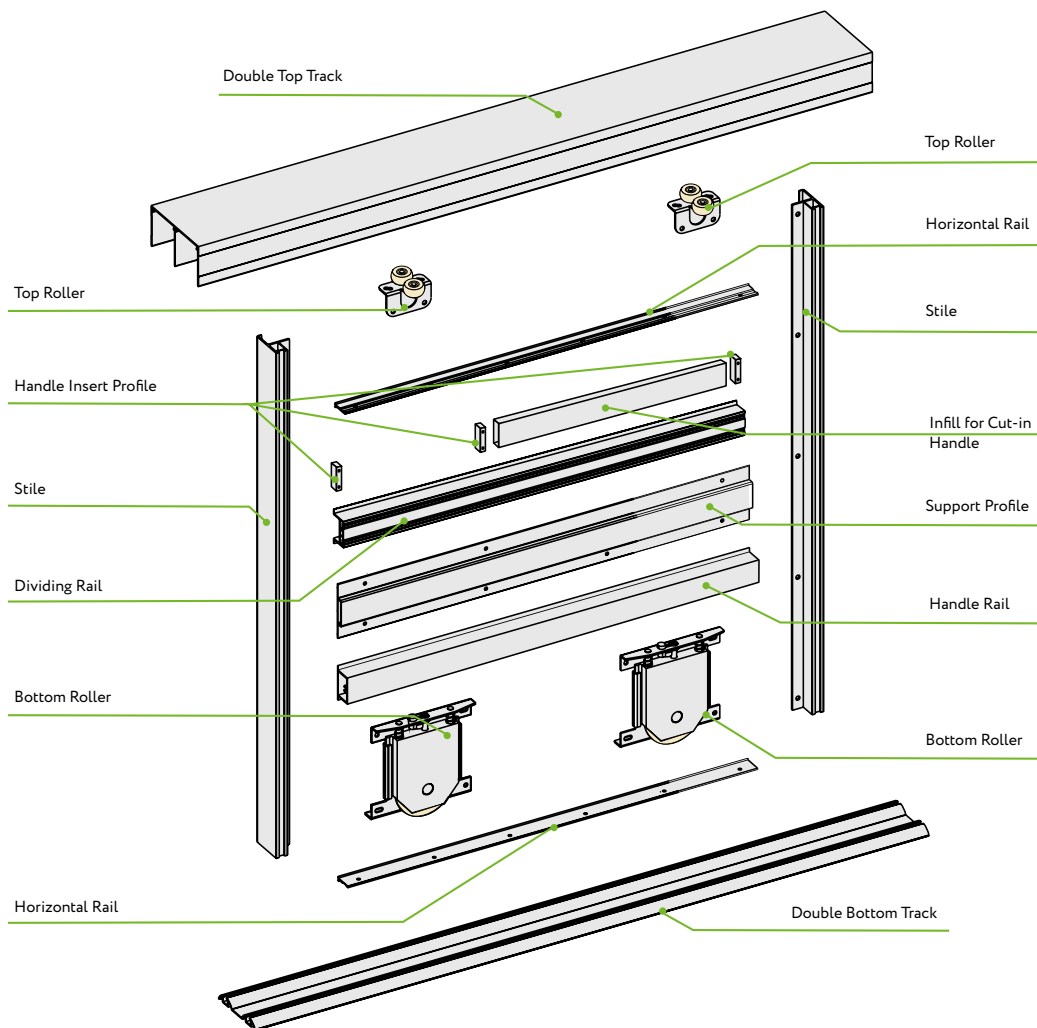
Door assembly in the cabinet with hidden top track



Door installation with visible top track

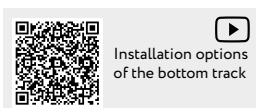


## Installation with Visible Top Track



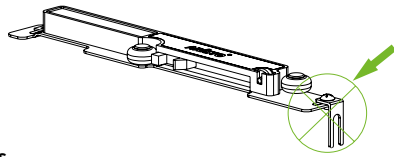
## Door Assembly

- 1 Drill 4 mm diameter holes at 400-500 mm intervals in the double top track for self-tapping screws. Fix it to the ceiling or to the top of a cabinet.
- 2 Put the double bottom track on the floor without fixing it. To adjust its location, install one door in the track.
- 3 By moving the double bottom track forward or backward, you can determine the position in which the installed door is vertical when moving (move the door towards either side of the opening and use a spirit level). Mark the correct position of the track on the floor, then remove the door.
- 4 Install the dust protection gasket. Fix the bottom rail with a double-sided adhesive tape according to the markings that you made.
- 5 Insert the doors: rear track first.
- 6 Use the adjustment screws of the bottom rollers to achieve minimal gaps between door-to-sidewall and door-to-door.
- 7 Install and adjust the top track positioners and soft closer actuators.



For fixing the support profile to the handle rail NB0485.VP540 / NB0477.VP540 use 3.9×9.5 mm self-tapping screws.

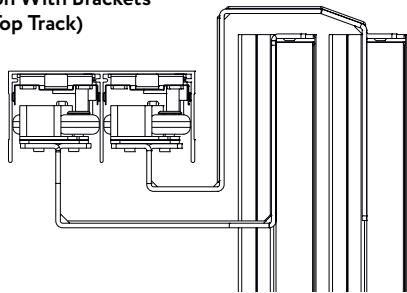
Soft Closer Set:  
 Soft Closer - 1 pc.  
 Actuator - 1 pc.  
 Spring - 1 pc.



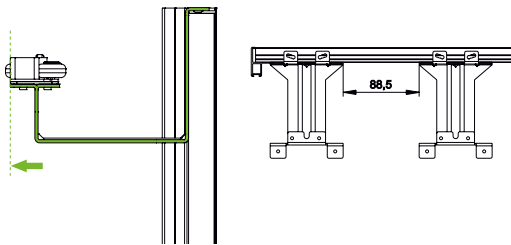
Before starting installation on NOVA, disconnect the mounting forks from the soft closers

Recommendation:  
 Soft Closer Video – Installation at QR-code on the page 59.

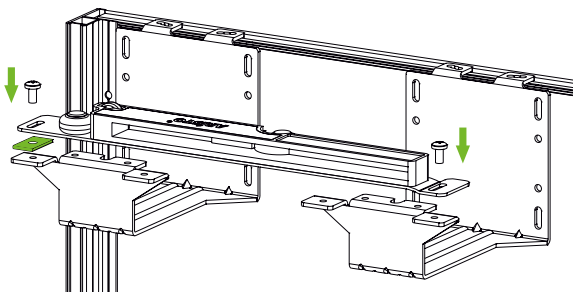
**Option 1**  
 Installation With Brackets  
 (Hidden Top Track)



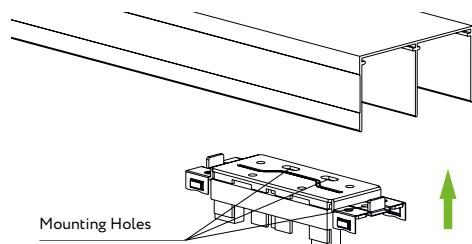
1 Install the brackets on the door, as is shown in the picture. During installation, the edge of the soft closer must be in one line with the edge of the bracket.



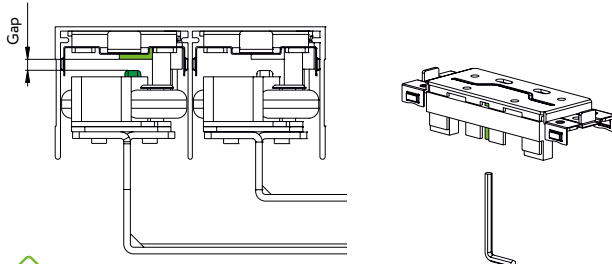
2 Fix the soft closer to the brackets with the self-tapping screws (included in the kit) putting one of the washers on one side. After that, install the door in the opening or cabinet. Do not activate the soft closer.



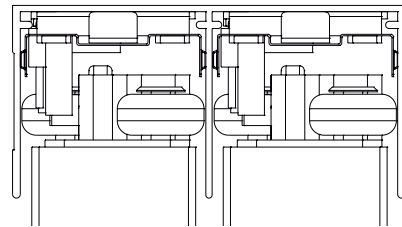
3 Install the actuator all the way inside of the top track on the required side. Adjust the door and fix the actuator with screws.



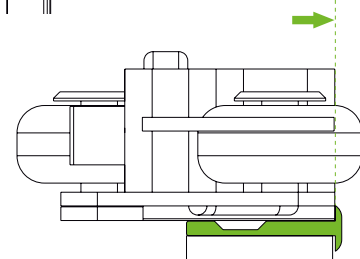
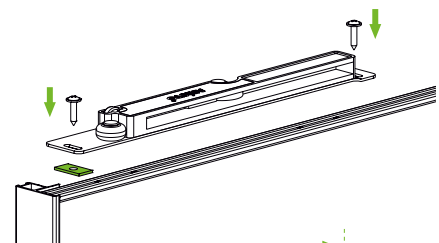
4 Eliminate the gap between the soft closer's top roller and the actuator. For that lower the actuator by turning the adjusting screw clockwise.



**Option 2**  
 Installation Without Brackets  
 (Visible Top Track)



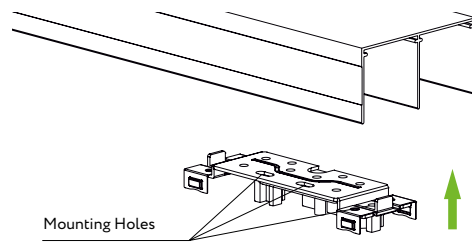
1 Fix the soft-closer with the self-tapping screws, placing one of the washers on one side. Install the soft-closer in one line (flush) with the edge of the upper horizontal rail.



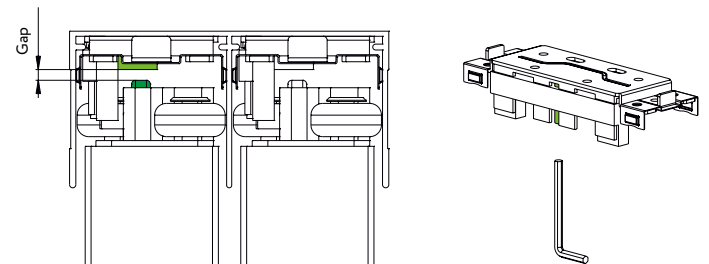
Attention! On the left side of the door you need to use the right soft closer (R), on the right side - the left soft closer (L).

2 After that, install the door in the opening or cabinet. Do not activate the soft closers.

3 Install the actuator all the way inside of the top track on the required side. Adjust the door and fix the actuator with screws.



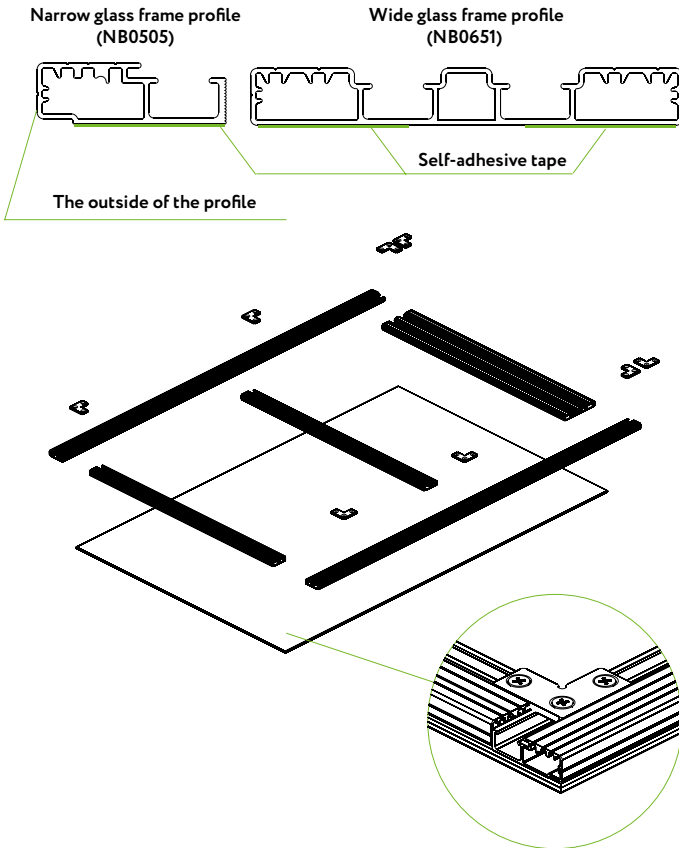
4 Eliminate the gap between the soft closer's top roller and the actuator. For that lower the actuator by turning the adjusting screw clockwise.



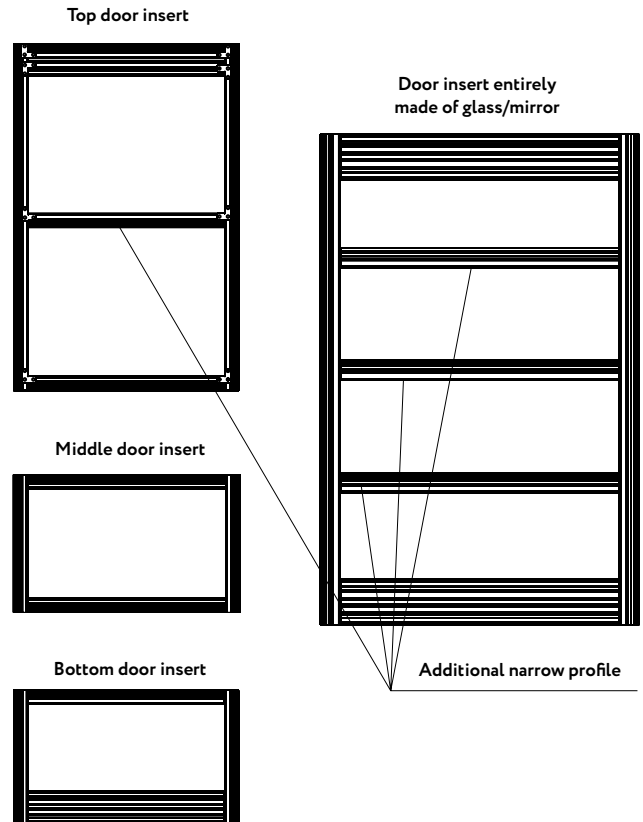
If the rollers of the soft closer do not fit tightly against the walls of the top track, it is necessary to adjust the soft closer by turning it horizontally.

**1** Before assembling the door, prepare the parts with glass or mirror:

- stick double-sided adhesive tape with a thickness of up to 0.3 mm onto the profile\*
- apply a tape primer to the insert and then fix the narrow and wide glass/mirror frame profiles on the prepared surface
- tighten the profiles with the frame corners (NA0206).



Options of mirror fragments



Note

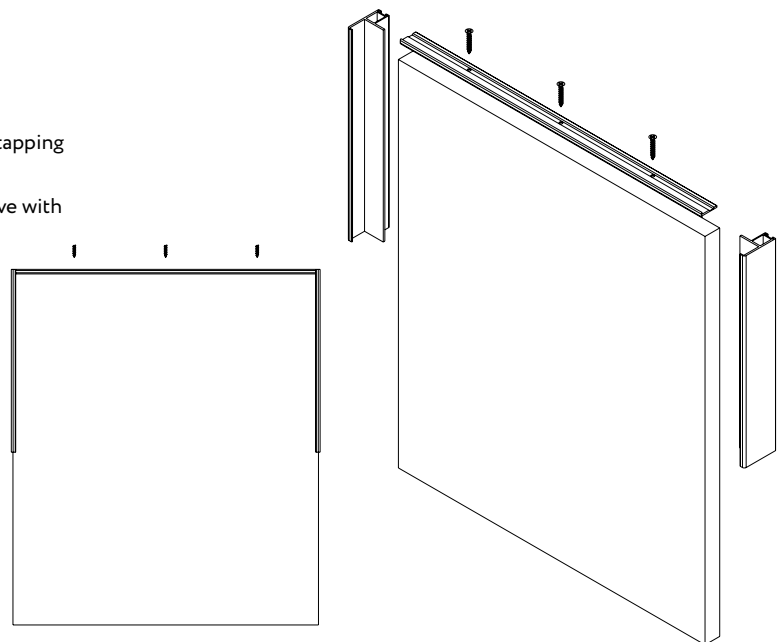
It is necessary to install additional narrow glass frame profiles (NB0505.VP540) depending on the door height:  
 1000 - 1500 mm - one additional profile  
 1500 - 2000 mm - two additional profiles  
 over 2000 mm - three additional profiles

**2** Prepare the door components of the required size: cut the panels and the profile.

**3** Mark and drill holes:

- Ø 3 mm on the horizontal rail at the center of the groove with intervals of 300-500 mm for fixing the self-tapping screws
- Ø 4 mm on the inside of the vertical profile along the groove with intervals of 300-500 mm for fixing the self-tapping screws
- In the profiles for the mounting of rollers and brackets.

**4** Install the horizontal rail on the panels with self-tapping screws 2.9x19 mm. For the proper positioning we recommend to use small segments (cut-offs) of the profiles on both sides of the panels.

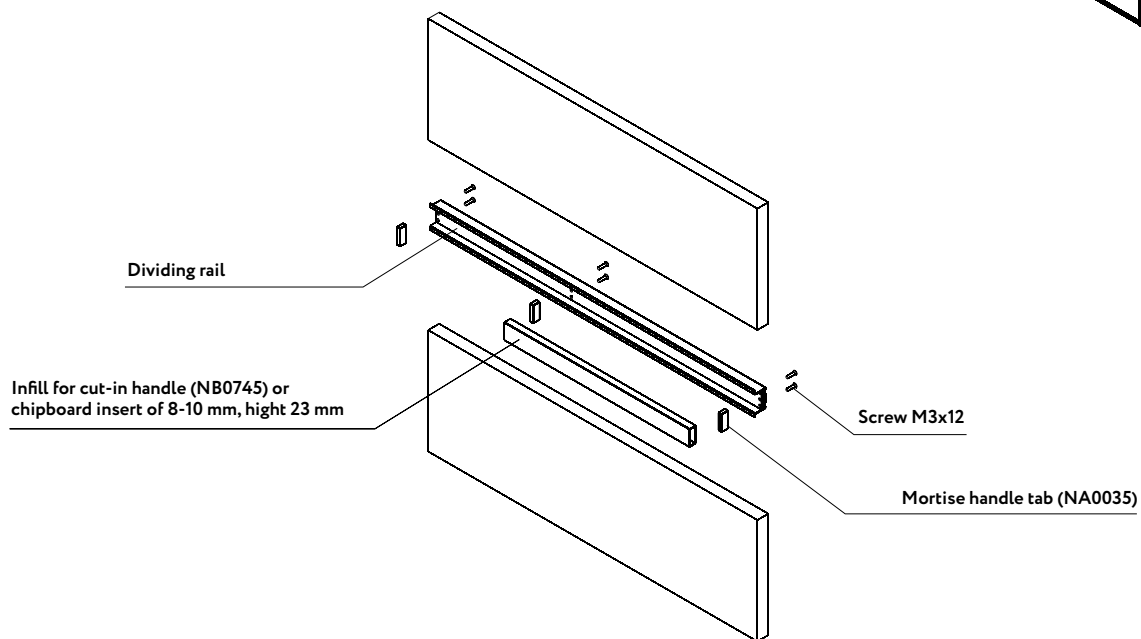
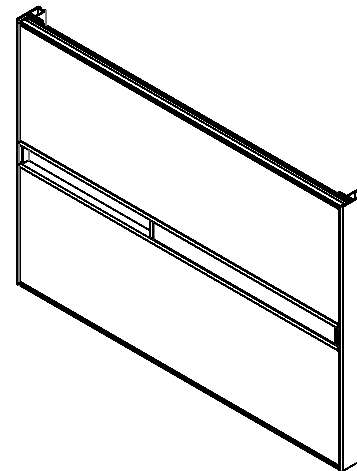
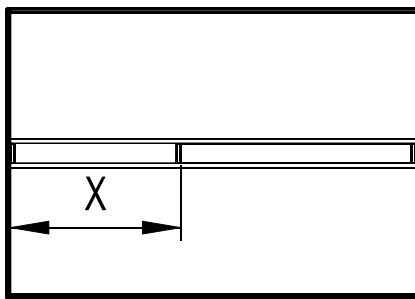
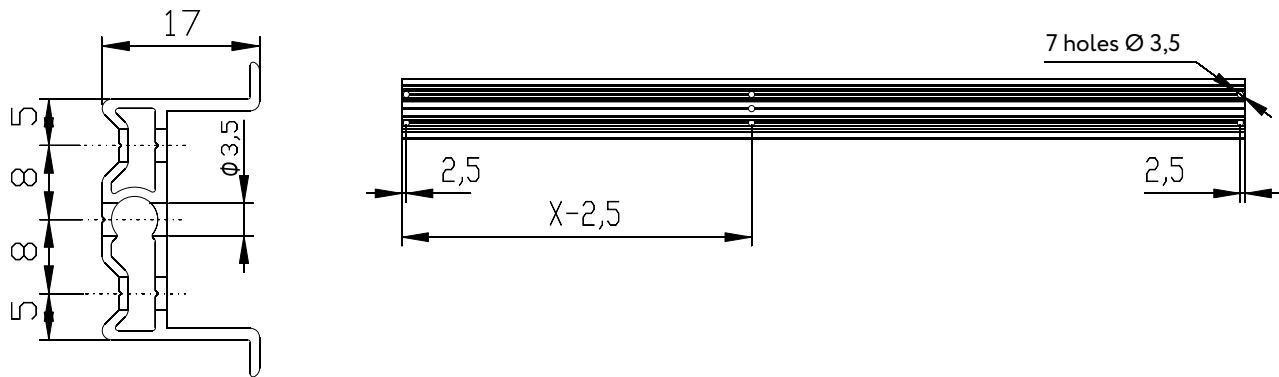


\* We recommend using 3M tape 93020LE with the adhesive coating 300LSE of 200 microns (0.2 mm) thick, or any other tape with similar characteristics.



5 Assembling of the dividing rail with a handle.

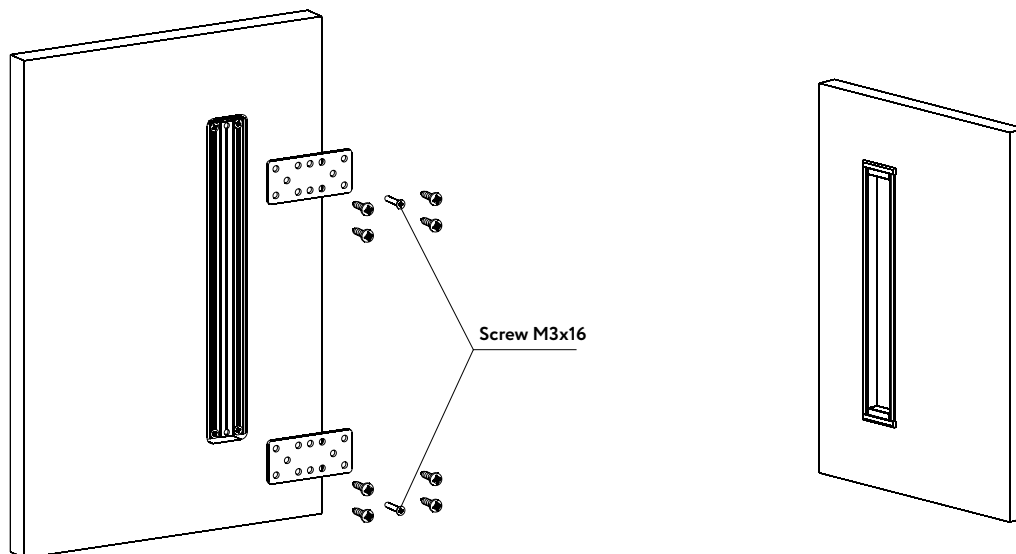
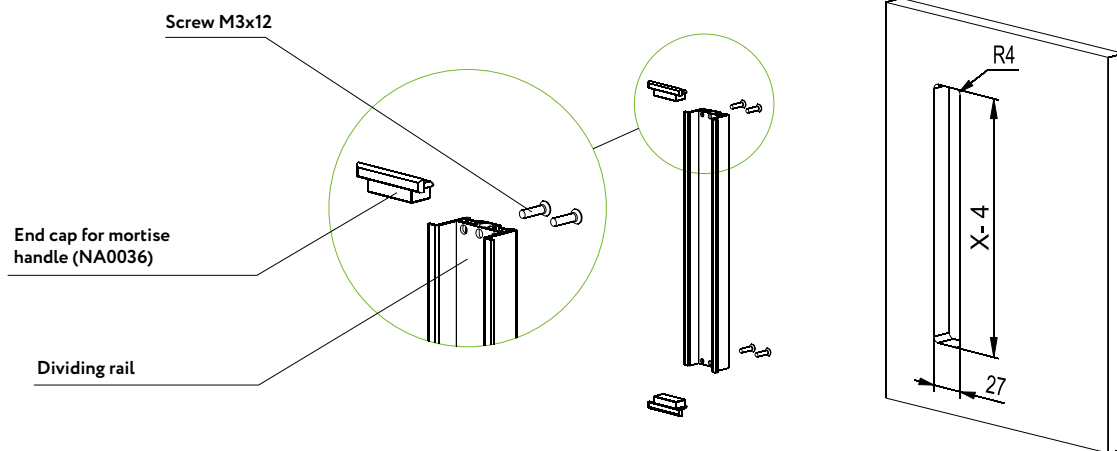
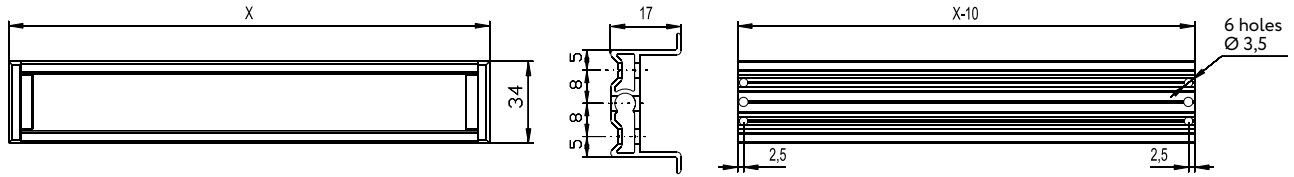
The handle in the dividing rail is assembled from mortise handle tabs (NA0035) and infill for cut-in handle (NB0745) or chipboard insert of 8-10 mm. Screws for fixing inset panels to the frame are M3x12 mm.



Length of infill for cut-in handle = width of dividing rail - X - 5 (one handle in the door)  
 Length of infill for cut-in handle = width of dividing rail - 2X (two handles in the door)

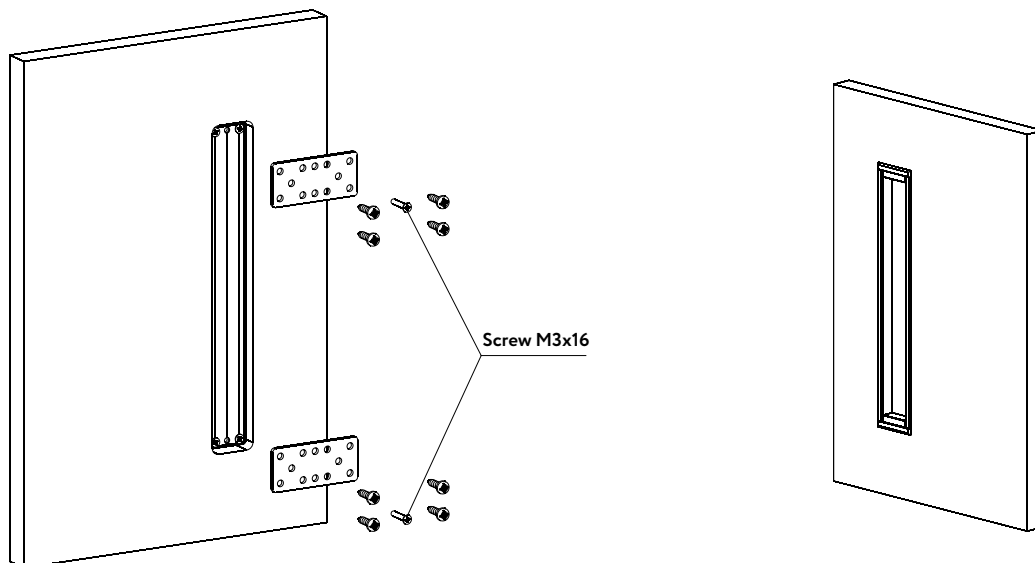
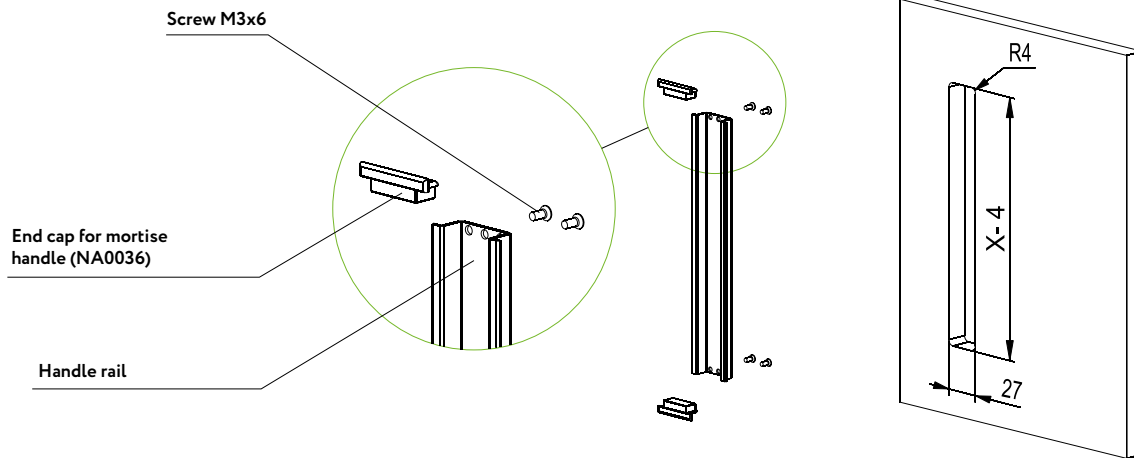
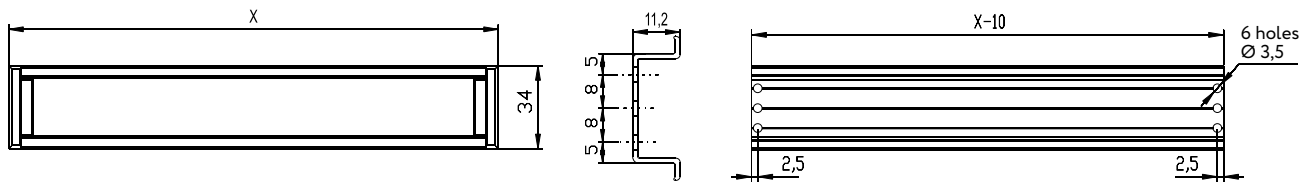
**6** Assembling of a cut-in handle from the dividing rail. The cut-in handle is assembled from the dividing rail and end caps for mortise handle (NA0036). Screws for fixing end caps for mortise handle to the frame are M3x12 mm.

Use the support plate (NA0205) and screws M3x16 mm to fix the handle to the panel. To fix the support plate to the panel use the corresponding self-tapping screws: 3.9x13 for chipboard / MDF and 3.9x9.5 for the frame with glass.



**7** Assembling of a cut-in handle from the handle rail (NB0746). The cut-in handle is assembled from the handle rail and end caps for mortise handle (NA0036). Screws for fixing end caps for mortise handle to the profile are M3x6 mm.

Use the support plate (NA0205) and screws M3x16 mm to fix the handle to the panel. To fix the support plate to the panel use the corresponding self-tapping screws: 3.9x13 for chipboard / MDF and 3.9x9.5 for the frame with glass.



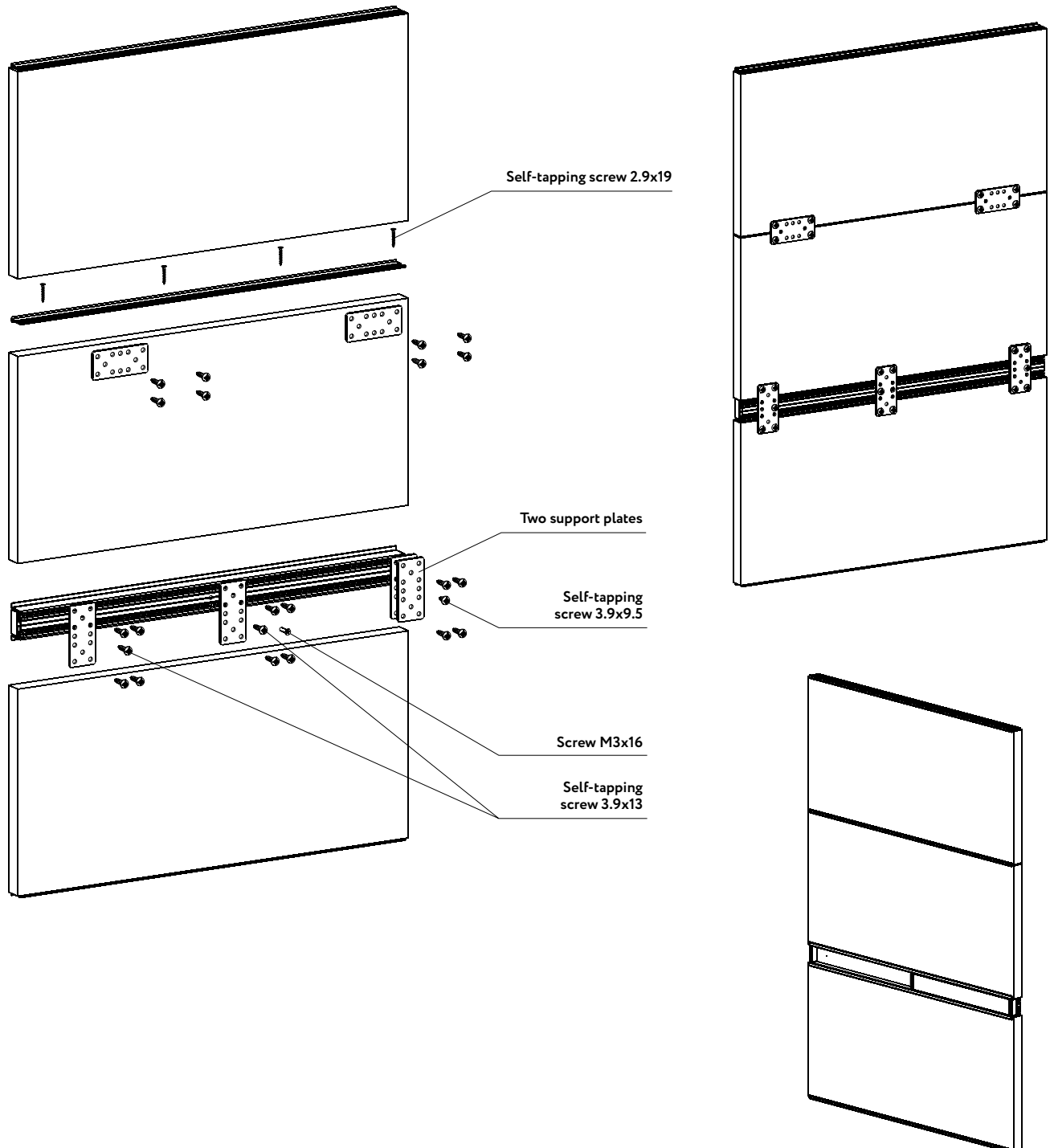
- 8 To mount the door panels use the support plate at intervals of 300-400 mm.
- connect the panels with each other using the support plate and self-tapping screws (3.9x13 mm)
  - when installing the support plate on the dividing rail, also fix them to the center of the profiles with self-tapping screws
  - to insert the panel with glass or mirror use 3.9x9.5 mm self-tapping screw.

For proper positioning of the support plate we recommend to use small segments (cut-offs) of the vertical profiles.

To fix the support plate to the inset partition in the handle rail use M3x16 mm screws.

To fix the tab profile use 3.9x13 mm self-tapping screws.

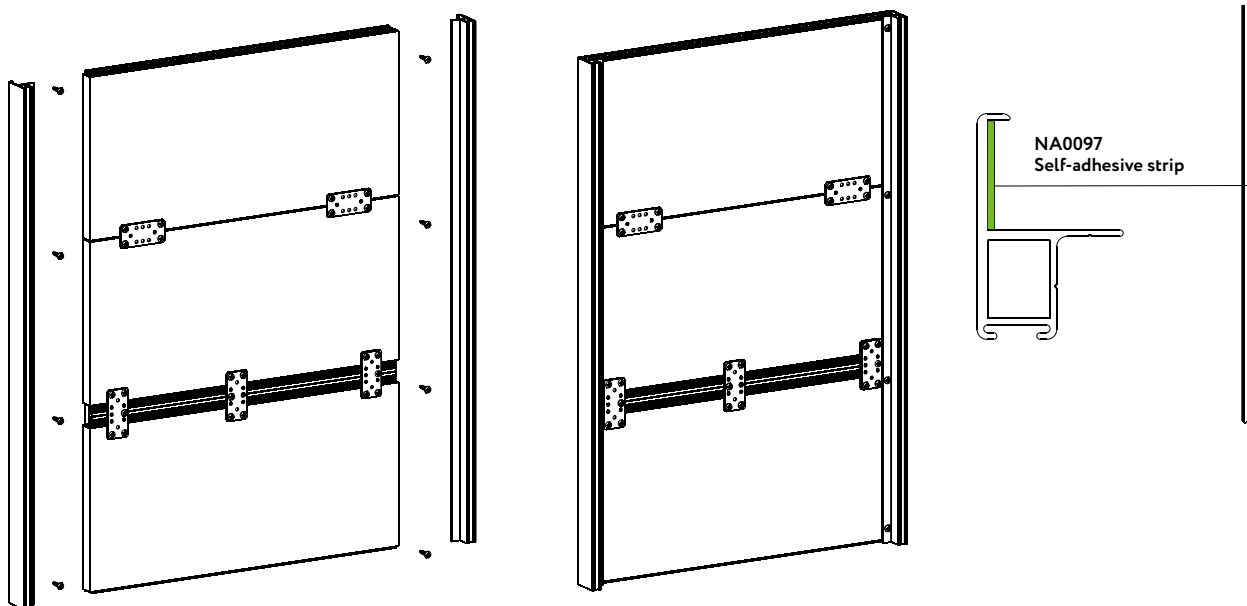
To fix the support plate to the handle rail use two support plates and 3.9x9.5 mm self-tapping screws.



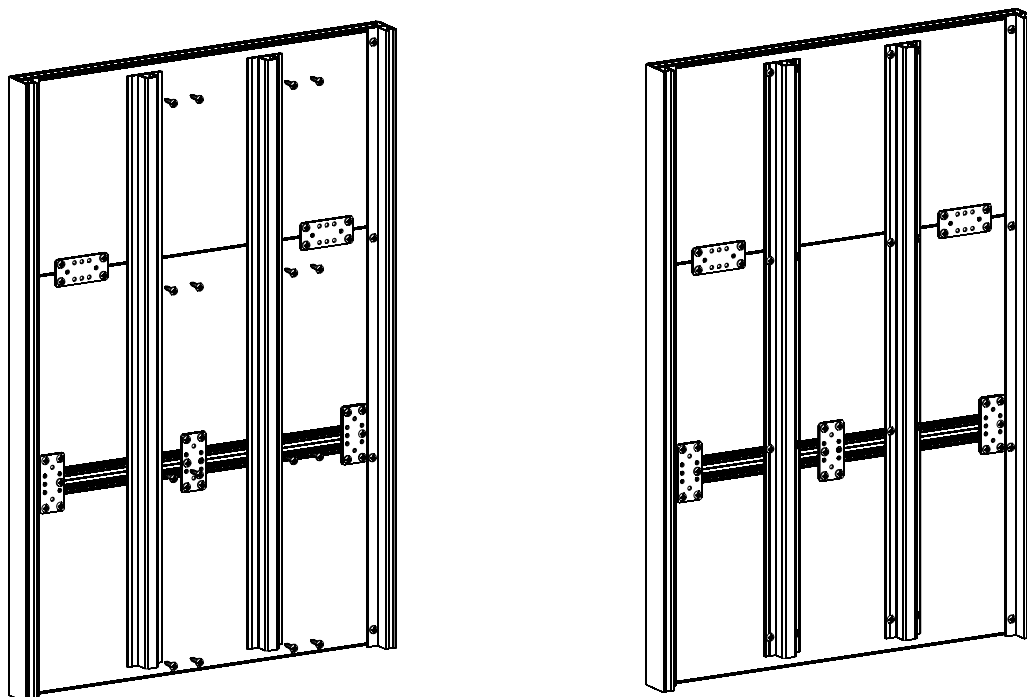
**Recommendation:**

For glossy or painted MDF panels use self-tapping screws with press washer 4.2x13 mm.

- 9 Pre-mount the vertical profiles and the panels using a rubber mallet. Fasten them with the self-tapping screws 3.9x16 mm using the pre-drilled holes of Ø 4 mm at intervals of 300-400 mm. If the insert is from mirror or glass, firstly stick a self-adhesive strip (NA0097) on the inside of the profile at the junction with the insert. If the insert is from glass or mirror then use self-tapping screws 3.9x9.5 mm.

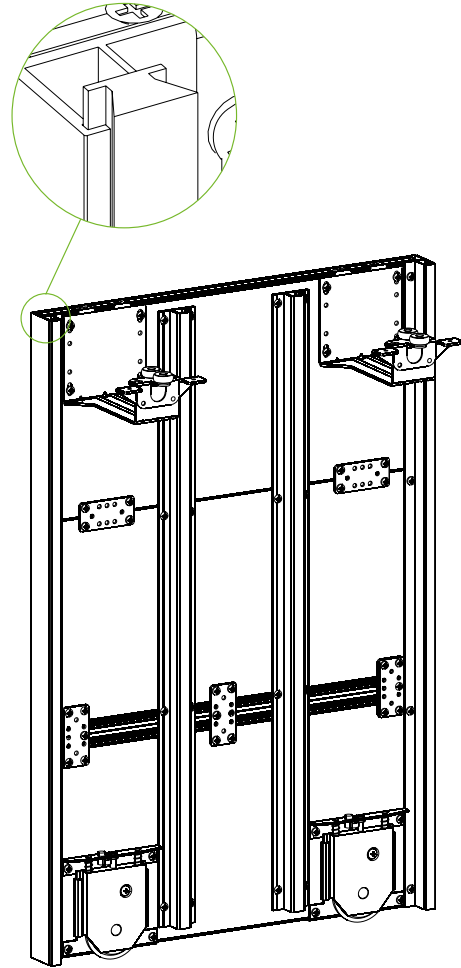
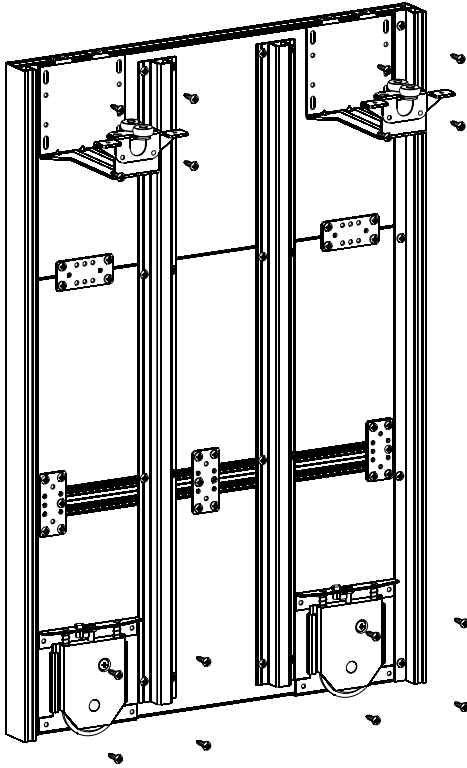


- 10 Fix the vertical support profile (NB0638) to the insert using self-tapping screws 3.9x16 mm and pre-drilled holes Ø 4 mm at intervals of 300-400 mm. If the insert is from mirror or glass then use self-tapping screws 3.9x9.5 mm. For installation make sure that the door lies flat on an even horizontal plane, otherwise it must be leveled before mounting the vertical support profile. Instead of the vertical support profile there can be used an overhead straightener (NA0208).

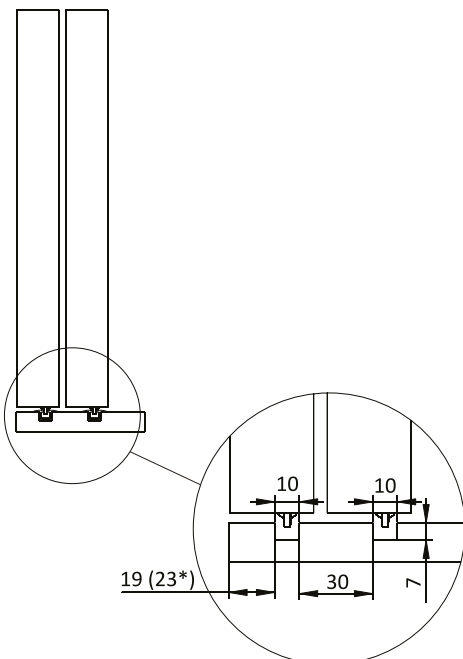


11 Fasten the bottom rollers, soft closers, top rollers, brackets (if you chose the hidden top track) to the corners of the back side of the door panel with self-tapping screws 3.9x16 mm. If the insert is from mirror or glass then use self-tapping screws 3.9x9.5 mm. For easy transportation it is recommended to mount the brackets directly at the door installation site.

12 Fix the weather strips into the grooves on the back side of the vertical profiles.



NOVA System. Installation of a recessed single bottom track.



Door height calculation

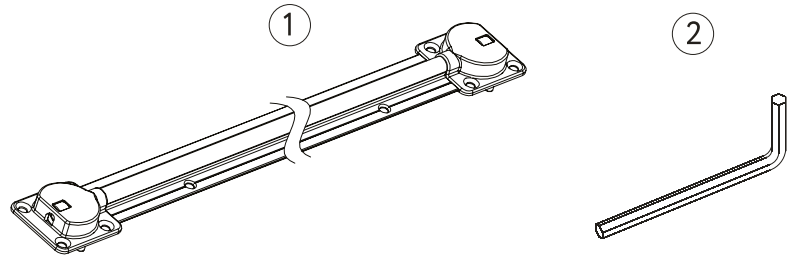
Visible top track for built-in installation:  
 Door height = Opening height - 39 mm

Hidden top track for built-in installation:  
 Door height = Opening height - 26 mm

Hidden top track for cabinet installation:  
 Door height = Internal height of the wardrobe doorway + 12 mm

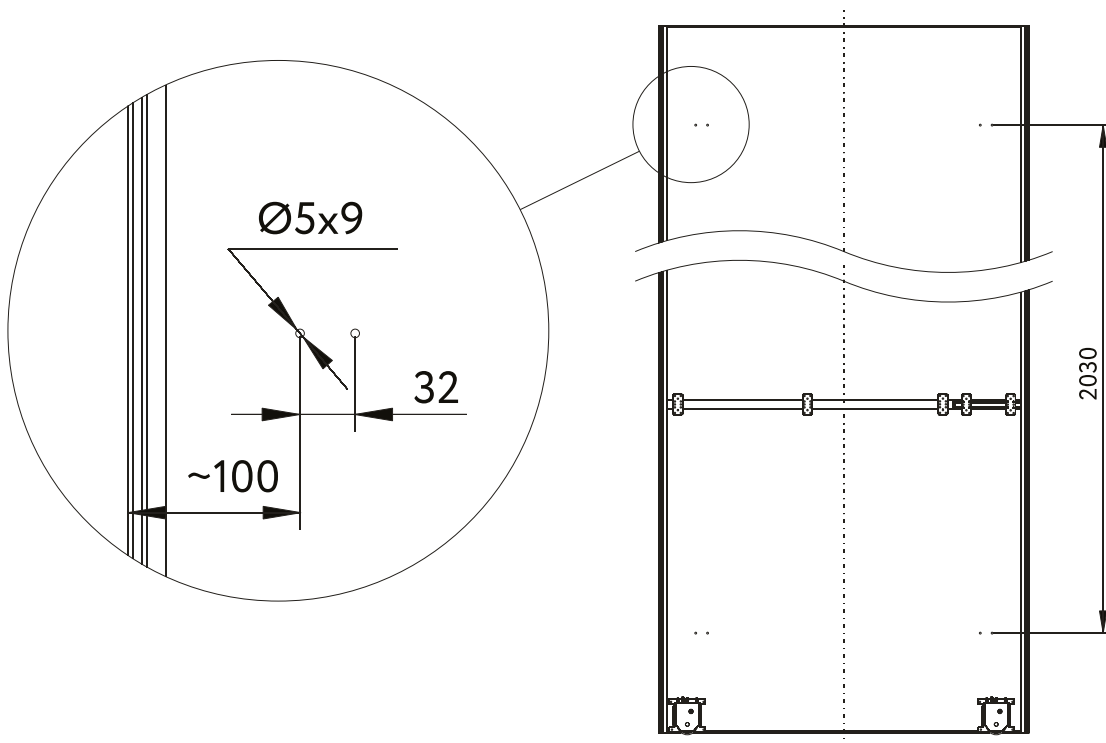
\*Visible top track for built-in installation

1. Overhead Straightener
2. Allen wrench

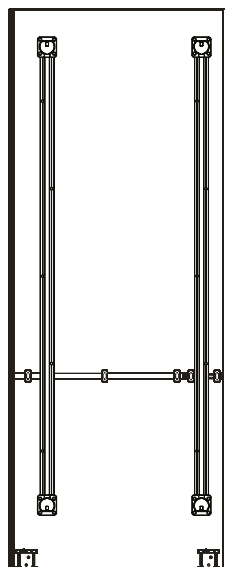


**Step 1.**

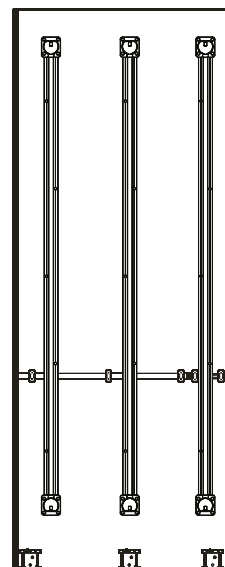
Install the Straightener on the inner side of the door having drilled the holes 5x9 in the insert. A door up to 1000mm wide needs 2 Straighteners. A door wider than 1000mm needs 3 Straighteners.



Door < 1000 mm

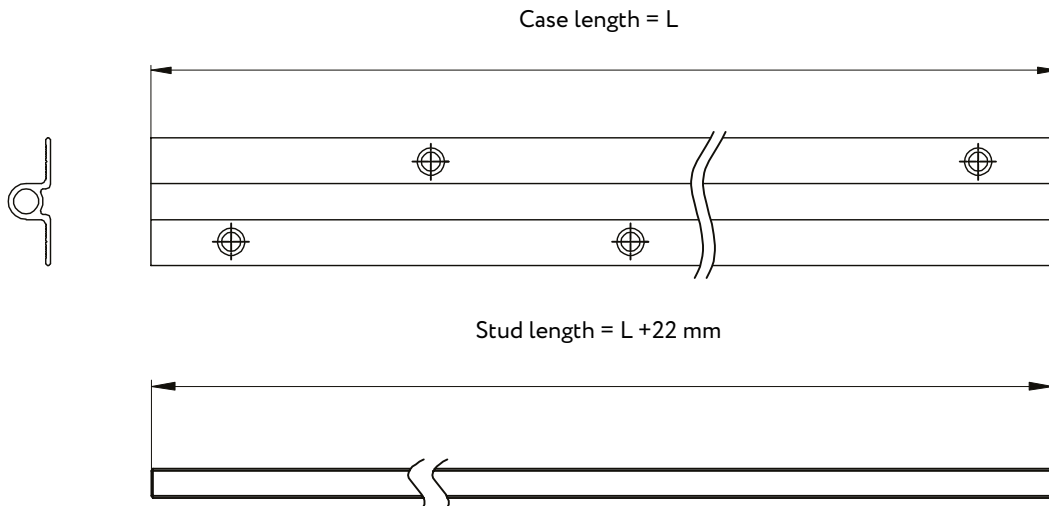


Door > 1000 mm



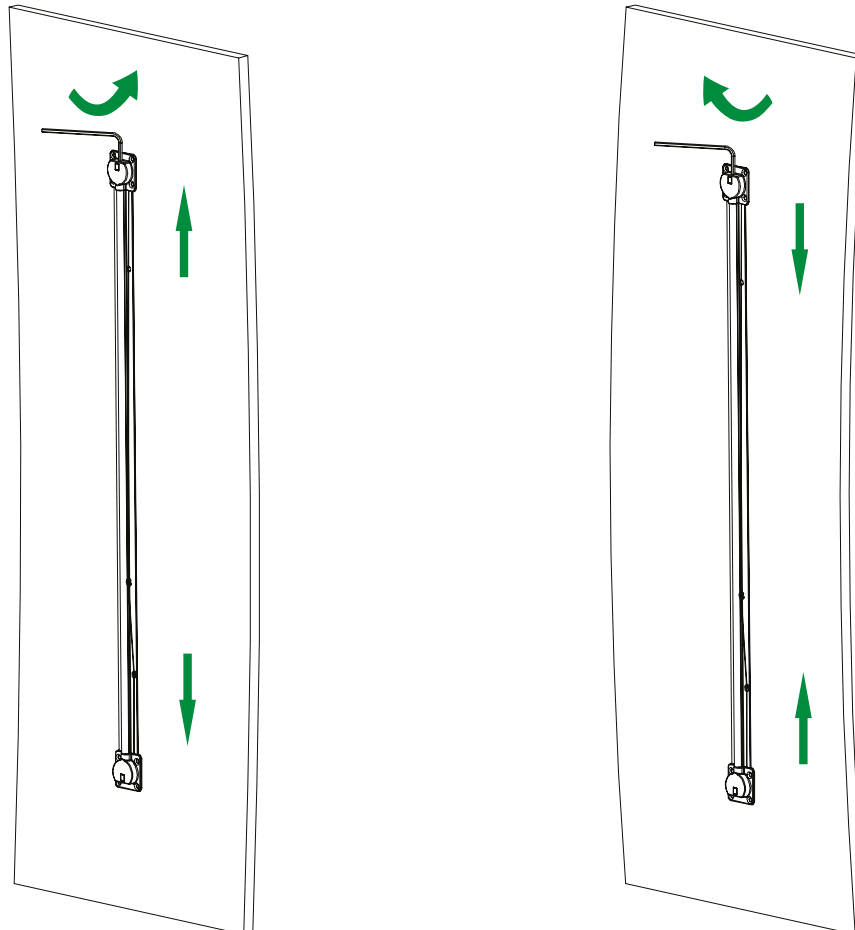
**Step 2.**

Cut the exceeding part of the Straightener with a hacksaw if necessary. The difference between the case length and the stud length of the Straightener is to make 22 mm.



**Step 3.**

Adjust the Straightener with an Allen wrench to put the door in the upright position.







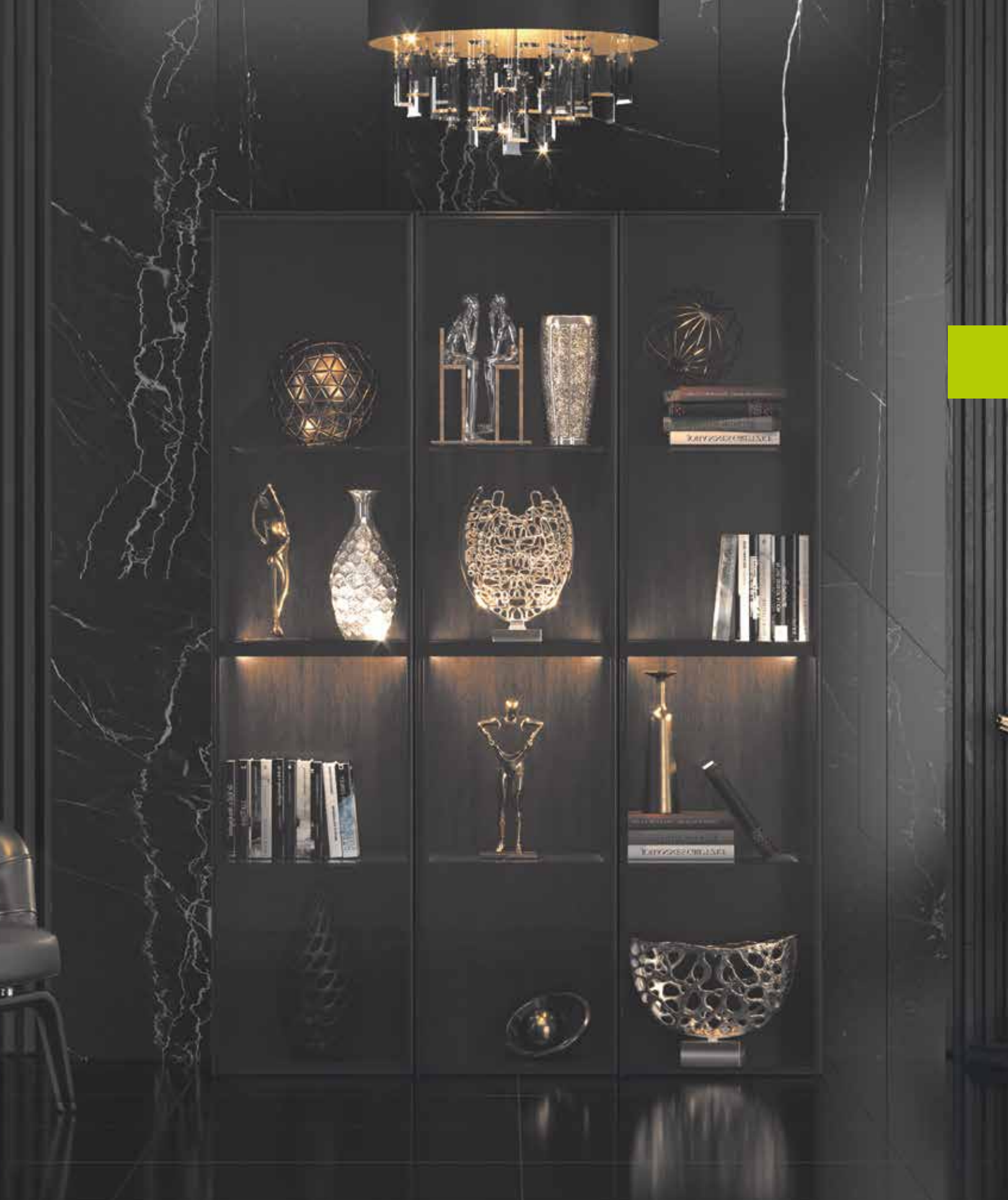
## Facade Frame System

A system of profiles and pivot fittings for glass or mirror doors, in which only the facade frame and transparent filling are seen externally.

Exceptional conciseness of the final product is achieved due to invisible opening hinges, profile handles and a hidden furniture body.

High-quality reliable profile coupled with unique mechanisms provide maximum comfort in operation.





Interior:  
*EDGE System*  
*Black Sandy Color*



EDGE System  
for Swing Facades  
with Flush Hinges

  
**2000 mm**  
Max door  
height

  
**600 mm**  
Door  
width

  
up to **20 kg**  
Door  
weight

  
Three axis  
adjustment

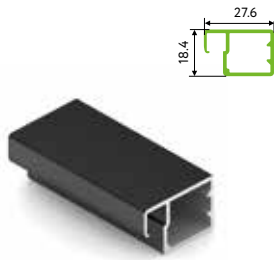
  
**105°**  
Door opening  
angle

Profiles and hinges for glass doors. Modern aesthetics, minimalistic facades and nothing extra - only glass and metal.

Exceptional precision: Invisible hinges, ultra-slim handles and hidden carcass of the cabinet. Reliable profile quality and unique mechanisms provide maximum operating comfort.

Door opening angle is 105°.

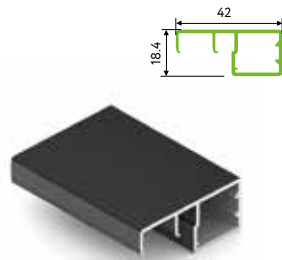
## EDGE Profile System for Swing Facades with Flush Hinges. Elements



DE0705.VP540

### Slim facade profile 705

Color: black sandy\*  
10 pcs per pack



DE0718.VP540

### Slim facade profile 718, w/ handle

Color: black sandy\*  
10 pcs per pack



DE0105.VS000

### Hinges EDGE Air 105

In the kit: left hinges 1 pc, right hinges 1 pc, covers 4 pcs, M4x12 screws 12 pcs, 4x70 universal self-tapping screws 2 pcs  
Color: black  
50 kits per pack



DA0105.VP000

### Facade profile corner joint for EDGE Air

In the kit: left corners 2 pcs, right corners 2 pcs, fixing screws 18 pcs  
Screws color: nickel, black  
50 kits per pack



DE0015.VP300 (4 mm glass)  
DE0019.VP300 (5 mm glass)

### Gasket for slim facade profile, L=3000

Colour: transparent

## Technical information

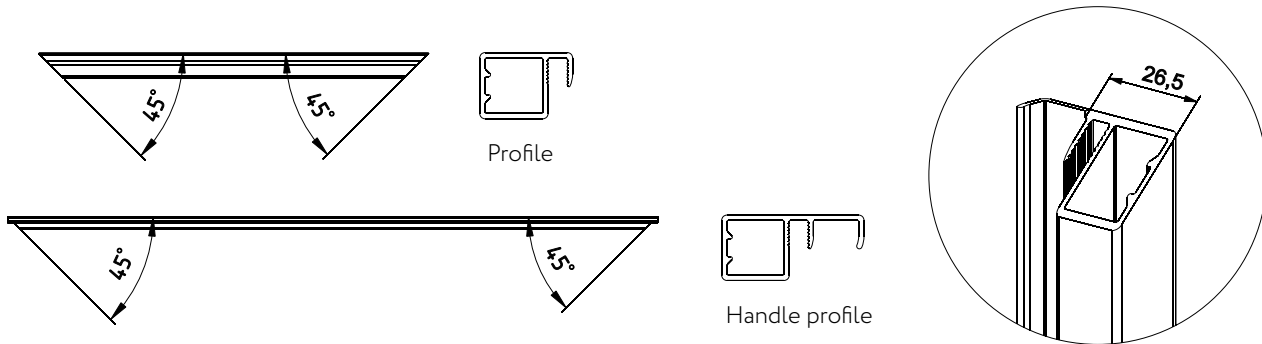
### Recommended Sizes and Weight

	Height, mm	Door Width, mm	Door Weight, kg
Hinged door for hidden hinges	up to 2000	210-600	up to 20

\* Possible colours are according to the Standard system colour chart EXW China.

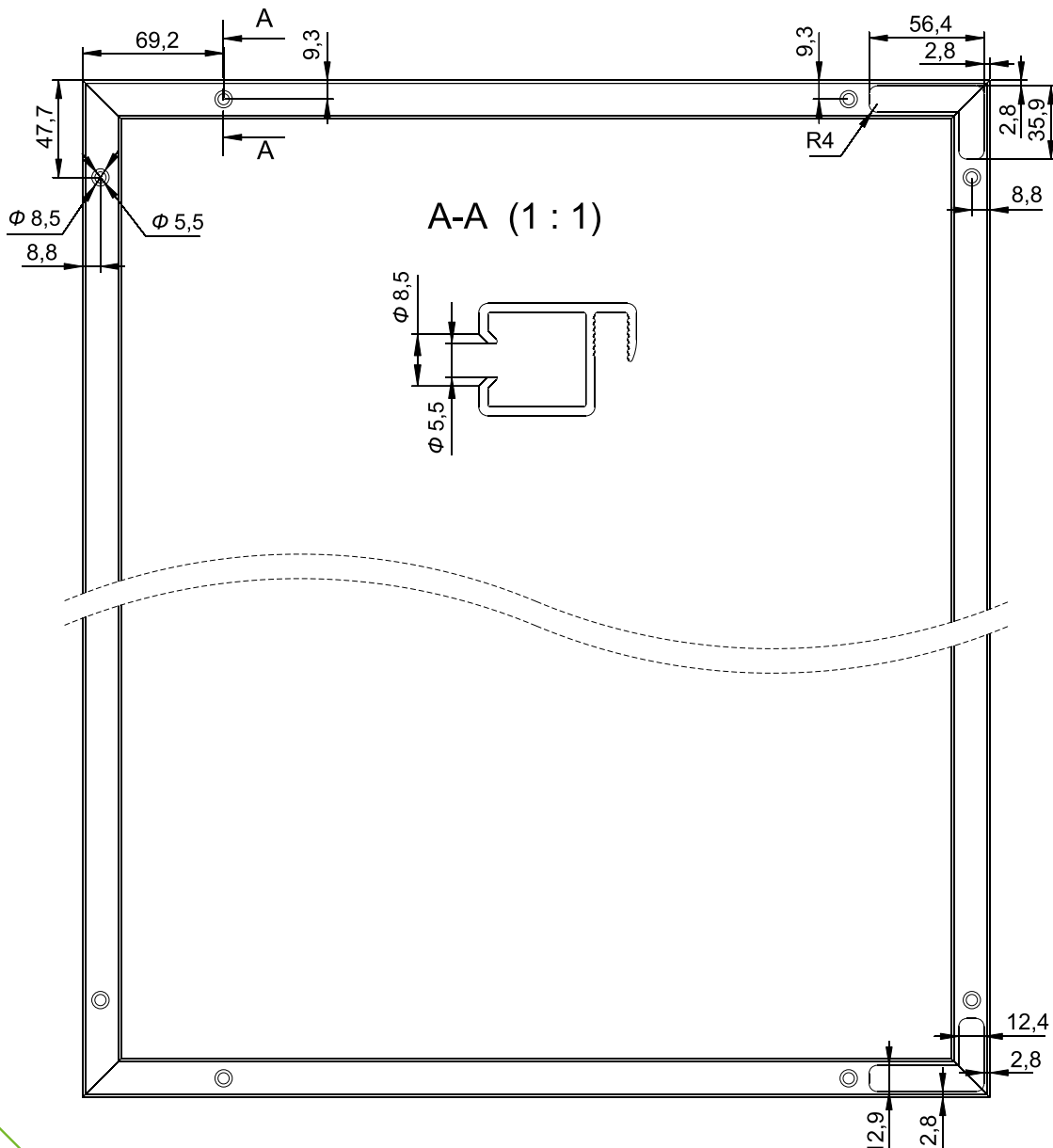
### Step 1.

Cut the profile at 45 degrees. Recommendation: first cut the handle profile at 90 degrees, then at 45 degrees going 26,5 mm deep.



### Step 2.

Mill the profiles.



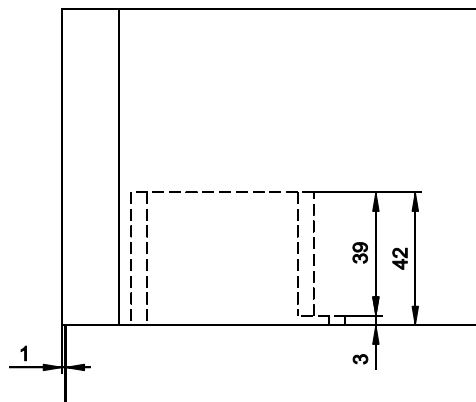
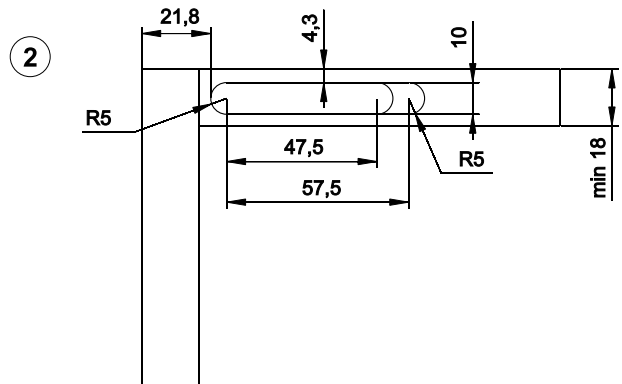
- 1. \*dimensions are for reference
- 2. Unspecified radii R=4 mm



- 1. Profile
- 2. Handle profile
- 3. Gasket for profiles 705 & 718
- 4. A set of facade profile corner joints
- 5. A set of hinges

4 mm glass/mirror:  
 $H_{\text{glass}} = H_{\text{door}} - 6$   
 $L_{\text{glass}} = L_{\text{door}} - 6$

Milling of the top panel  
 (dotted line shows the door)





**EDGE MAX System**  
**Profile System for Swing Facades**  
**with Flush Hinges up to 30 kg**

  
**2600 mm**  
 Max door  
 height

  
**600 mm**  
 Door  
 width

  
 up to **30 kg**  
 Door  
 weight

  
 Three axis  
 adjustment

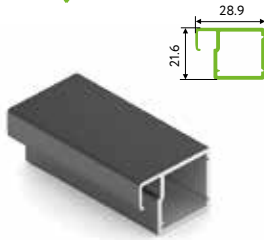
  
**100°**  
 Door opening  
 angle

Longing to meet modern design requirements, we have developed an innovative profile system for swing facades. The basic element is high-quality Italian flush hinges. They help to create a stylish and multi-functional interior environment.

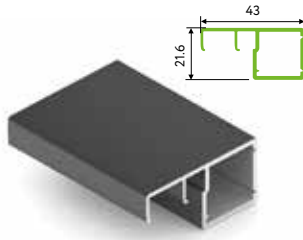
The new hinges, that allow to increase the door weight up to 30 kg, handle profiles and flush case give a furniture piece a very neat look. The special profile construction ensures stability even to highest facades and the soft closing system installed in the hinges provides comfort at a matchless level.

Door opening angle is 100°.

EDGE Profile System for Swing Facades with Flush Hinges up to 30 kg. Elements



DE0708.VP540  
**Slim facade profile 708**  
 Color: black sandy\*  
 10 pcs per pack



DE0709.VP540  
**Slim facade profile 709, w/ handle**  
 Color: black sandy\*  
 10 pcs per pack



DE0030.VS000.BKMAN.IE  
**Hinges EDGE Max**  
 In the kit: left hinges 1 pc, right hinges 1 pc,  
 covers 4 pcs, M4x12 screws 20 pcs,  
 4x70 universal self-tapping screws 2 pcs  
 Color: black matt  
 15 kits per pack



DE0030.VS000.ZN0EP.IE  
**Facade profile corner joint for EDGE Max**  
 In the kit: fixing support 2 pcs,  
 4x45 universal self-tapping screws 8 pcs,  
 M4x30 Trilobular screws 2 pcs  
 Color: black matt  
 15 kits per pack



DE0015.VP300 (4 mm glass)  
 DE0019.VP300 (5 mm glass)  
**Gasket for slim facade profile, L=3000**  
 Colour: transparent

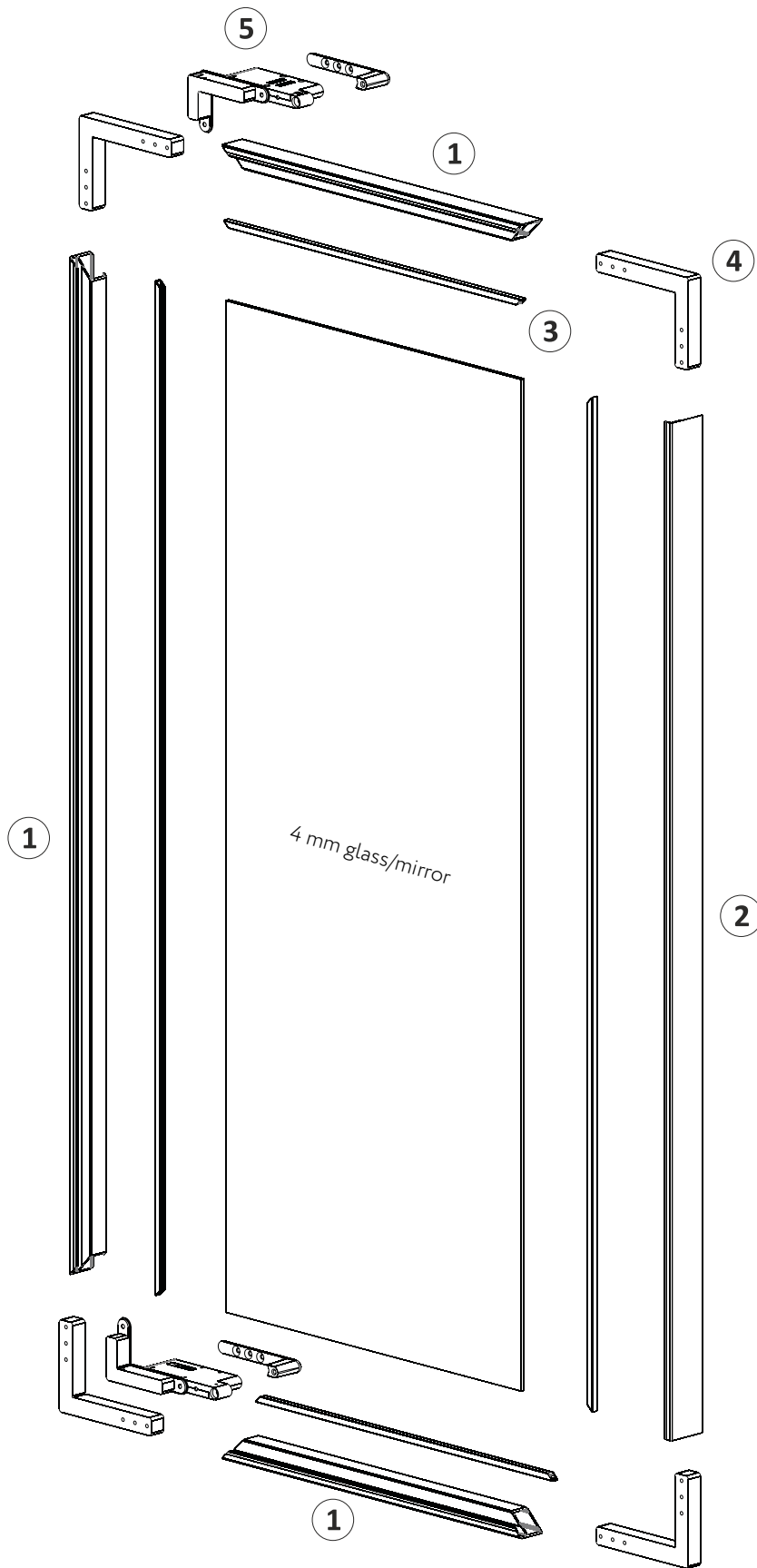
Technical information

Recommended Sizes and Weights of Doors and Partitions			
	Height, mm	Door Width, mm	Door Weight, kg
Hinged door for hidden hinges EDGE MAX	up to 2600	300-600	up to 30

\* Possible colours are according to the Standard system colour chart EXW China.







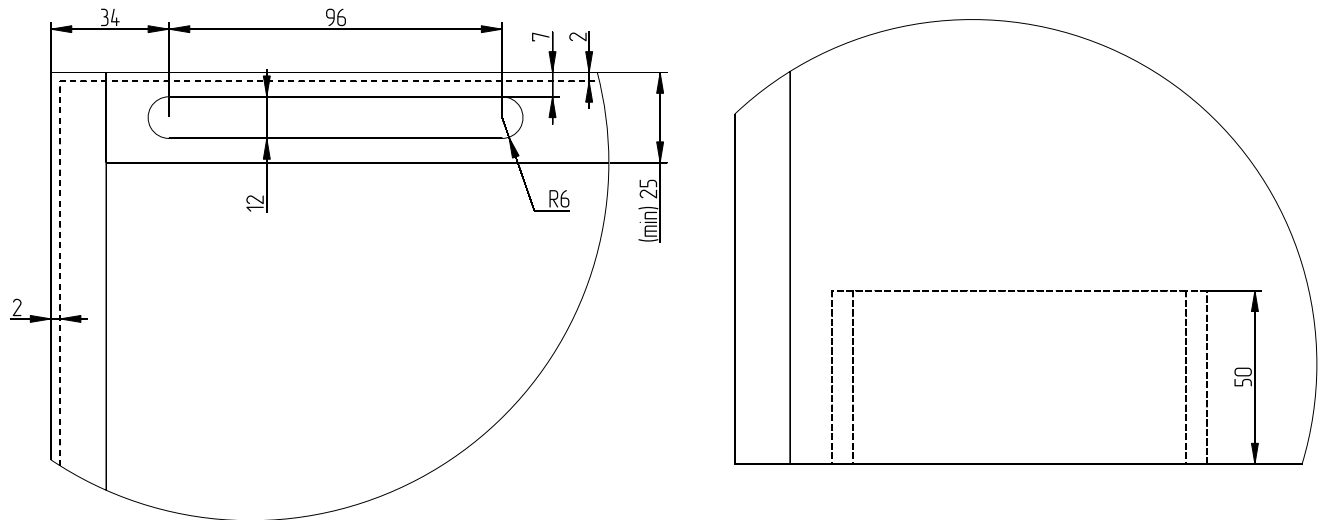
- 1. Profile
- 2. Handle profile
- 3. Gasket for 4 mm glass/mirror
- 4. A set of facade profile corner joints
- 5. A set of hinges with fixing support

4 mm glass/mirror:  
 $H_{\text{glass}} = H_{\text{door}} - 6$   
 $L_{\text{glass}} = L_{\text{door}} - 6$

## Installation to the cabinet

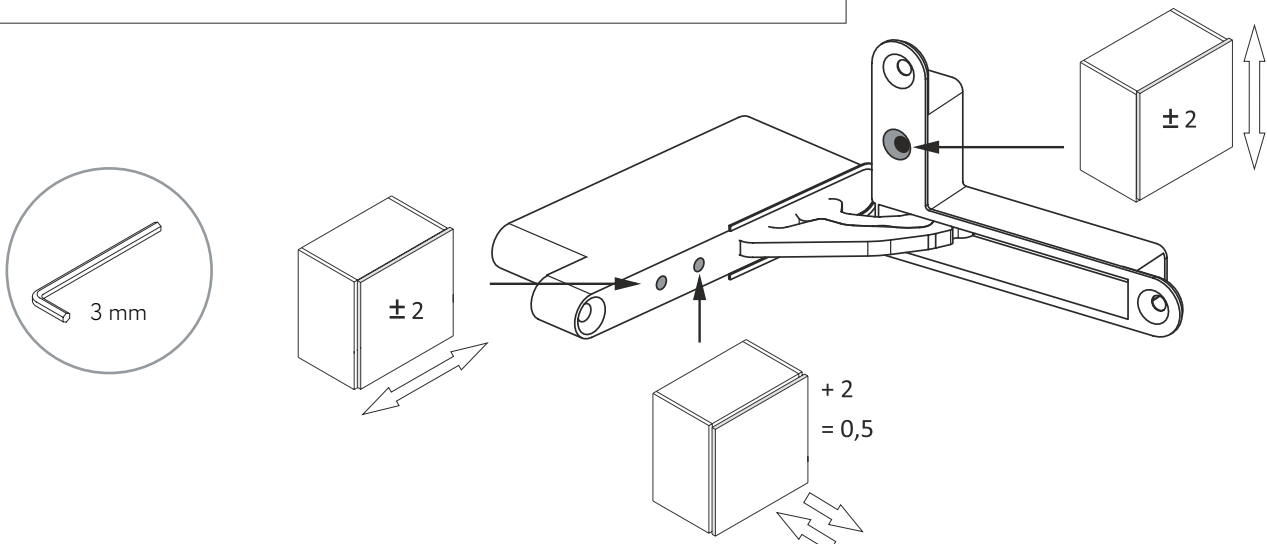
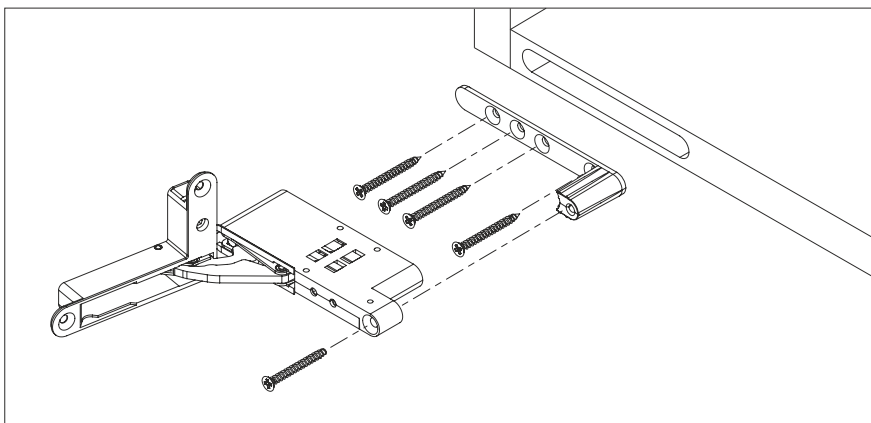
### Step 1.

Milling of the top panel (dotted line shows the door).



### Step 2.

Fasten the fixing supports with self-tapping screws, then fix the hinges with screws to the support. Then install and adjust the doors.





В интерьере:

Profile frame narrow 708

Black Matt Color

EDGE Profile System for Swing

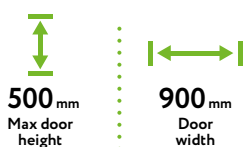
Facades with Flush Hinges

up to 30 kg



## INTUIT Profile System for pivot facade

NEW



For facades with lifting mechanism

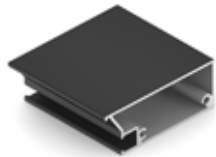


For pivot facades

The new INTUIT profile for pivot facades with glass makes it possible to implement modern design solutions in furniture production. A wide vertical profile accentuates the furniture fronts, structures the space, sets a strict aesthetics of the forms.

The horizontal profile has 5 ready-made sizes, which makes it possible to produce facades of popular widths.

The horizontal profile with a length of 897 mm allows you to make a facade for the upper tier of kitchen sets using a lifting mechanism.



**AA0760.VP540**  
**Vertical facade profile INTUIT**  
 Color: black sandy\*  
 10 pcs per pack



**AA0844.VP540**  
**Vertical facade profile ASPECT**  
 Color: black sandy\*  
 10 pcs per pack



**AA0761.VP029** (L=297 mm),  
**AA0761.VP039** (L=397 mm),  
**AA0761.VP044** (L=447 mm),  
**AA0761.VP059** (L=597 mm),  
**AA0761.VP089** (L=897 mm)  
**Horizontal facade profile INTUIT**  
 Color: black sandy\*  
 10 pcs per pack

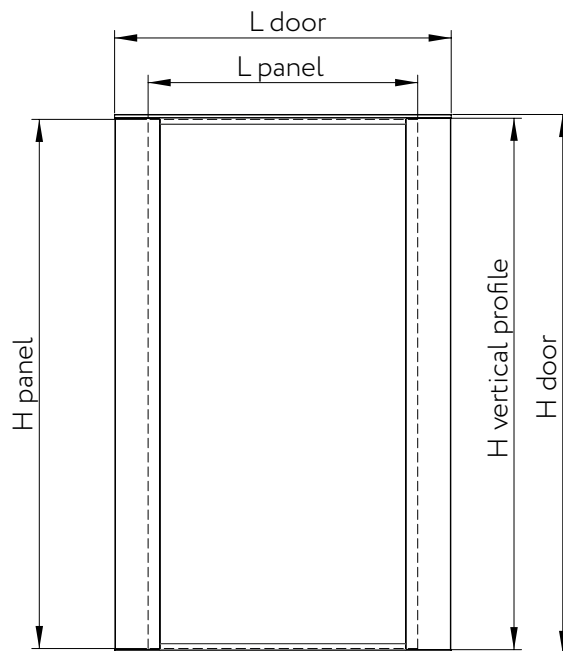
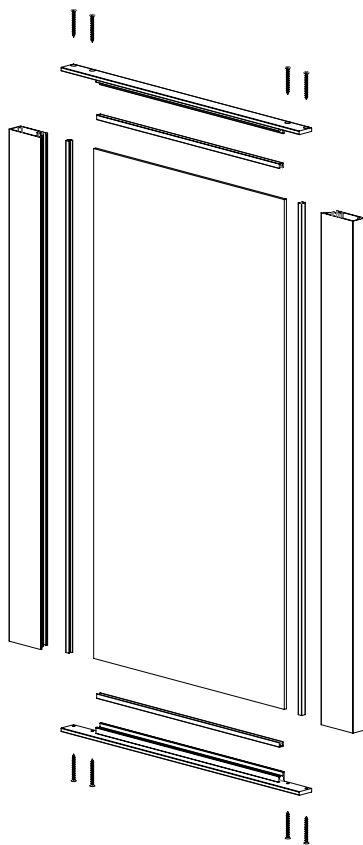


**DE0015.VP300** (4 mm glass)  
**DE0019.VP300** (5 mm glass)  
**Gasket for slim facade profile, L=3000**  
 Colour: transparent



**AA0845.VP000**  
**Overhead handle for vertical facade profile ASPECT**

INTUIT. Door assembly



$H \text{ vertical profile} = H \text{ door} - 10 \text{ mm}$   
 $H \text{ panel} = H \text{ door} - 13 \text{ mm}$   
 $L \text{ panel} = L \text{ door} - 89 \text{ mm}$

Technical information

Number of hinges depending on the height of the facade		
Facade height, mm	Facade width, mm	Number of hinges, pc
from 0 to 900	up to 600	2
from 900 to 1500	up to 600	3
from 1500 to 2000	up to 600	4
from 2000 to 2100	up to 600	5 (for facades from 20 to 30 kg + 1 hinge)
from 2100 to 2600	up to 600	5 (for facades from 20 to 30 kg + 1 hinge)

\* Possible colours are according to the Standard system colour chart EXW China.



### LED Accessories for Wardrobe

A set of LED accessories for adding various-purpose shelves and holders with backlight to your wardrobe. The installation does not require any special tools or expensive equipment. The combination of strong frames, hidden fasteners, LED strips and glass sides gives the look of floating racks and boxes and makes it easier to find the things you need. Leather inserts add luxury to your interior and soft closer brings comfort and convenience to your everyday routine.



## LED Accessories for Wardrobe. Elements



**LED glass side leather storage box**

	W (mm)	WxDxH (mm)
DL0001.VP006	600	564x457x212
DL0001.VP008	800	764x457x212
DL0001.VP009	900	864x457x212



**LED glass side leather underwear storage box**

	W (mm)	WxDxH (mm)
DL0009.VP006	600	564x457x211
DL0009.VP008	800	764x457x211
DL0009.VP009	900	864x457x211



**LED glass side leather trousers rack**

	W (mm)	WxDxH (mm)
DL0002.VP006	600	564x457x81
DL0002.VP008	800	764x457x81
DL0002.VP009	900	864x457x81



**LED glass side leather shoe rack**

	W (mm)	WxDxH (mm)
DL0003.VP006	600	564x457x86
DL0003.VP008	800	764x457x86
DL0003.VP009	900	864x457x86



**LED glass side leather flat storage box**

	W (mm)	WxDxH (mm)
DL0004.VP006	600	564x457x81
DL0004.VP008	800	764x457x81
DL0004.VP009	900	864x457x81



**LED glass side and glass base flat storage box**

	W (mm)	WxDxH (mm)
DL0008.VP006	600	564x457x81
DL0008.VP008	800	764x457x81
DL0008.VP009	900	864x457x81



**LED glass side jewelry box**

	W (mm)	WxDxH (mm)
DL0005.VP006	600	564x457x81
DL0005.VP008	800	764x457x81
DL0005.VP009	900	864x457x81



**LED glass side and glass base jewelry box**

	W (mm)	WxDxH (mm)
DL0007.VP006	600	564x457x81
DL0007.VP008	800	764x457x81
DL0007.VP009	900	864x457x81



DL0006.VP445

**Soft-closing side mounted tie rack**

170 x 85 x 445 mm



1. W (mm) = cabinet width (mm)
2. WxDxH (mm) = width x depth x height (mm), with slides





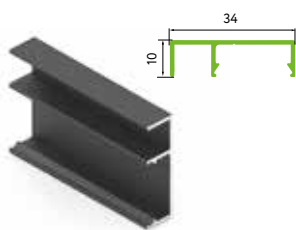


## EDGE System. Aluminium LED-Shelf

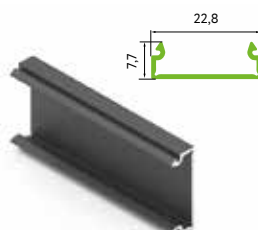
A set of profiles for making various-size shelves with backlight. The assembly does not require any special tools or expensive equipment. For panels you can use glass or any other material up to 10 mm thick.

Strong metal frames and hidden fasteners favor a flawless assembly. A special groove for LED strips makes light connection easy and gives the look of a floating shelf.

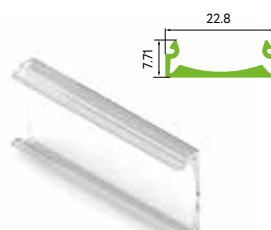
## EDGE System. LED-Shelf Elements



**DE0559.VP540**  
**LED Shelf Profile**  
 10 pcs per pack  
 Color: black sandy\*



**DE0558.VP540**  
**LED Shelf Cover Profile**  
 40 pcs per pack  
 Color: black sandy\*



**DE0251.AP270**  
**LED Shelf Diffuser**  
 Length - 2.7 m  
 84 pcs per pack  
 Colors: white matt



**DE0251.AP270**  
**LED Shelf Diffuser**  
 Length - 2.7 m  
 84 pcs per pack  
 Colors: black matt



**AA0084.VM100**  
**Silicon Gasket U Shape, Multi-purpose**  
 Colors: black, transparent  
 4 mm, 100 m/roll



**AA8884.VM200, AA8885.VM240, AA8886.VM250, AA8888.VM320**  
**Silicon Gasket U Shape**  
 4 mm - 200 m/roll  
 5 mm - 240 m/roll  
 6 mm - 250 m/roll  
 8 mm - 320 m/roll



**DE0253.VS000**  
**LED Shelf Corner Joint**  
 Set Included: Corner Joint 4 pcs, Screws  
 80 sets per pack

## Technical Information

### Recommended Sizes and Load

	Width, mm	Depth, mm	Permissible Load, kg
Aluminium LED-Shelf	up to 1000	up to 600	10

## EDGE System. Aluminium LED-Shelf. Framing

The new components allow to produce shelves from a wide range of materials used in various pieces of furniture - wardrobes, cabinets, kitchens (topmounted kitchen drawers) and others.

You can use glass, plastics, chipboards and other suitable materials 4-10 mm thick as a material for shelf inserts as well as for sliding doors. Inserts with the thickness of 10 mm are installed directly in the groove of the profile. To install thinner materials you can use the same gaskets as when assembling sliding doors.

The manufacturing of the shelf does not require any complex processing of profiles: all profiles are simply cut at 90° angles. This simplifies assembly and eliminates excessive gaps in the final structure. The application of corner elements provides for a quick assembly, and a simple and durable

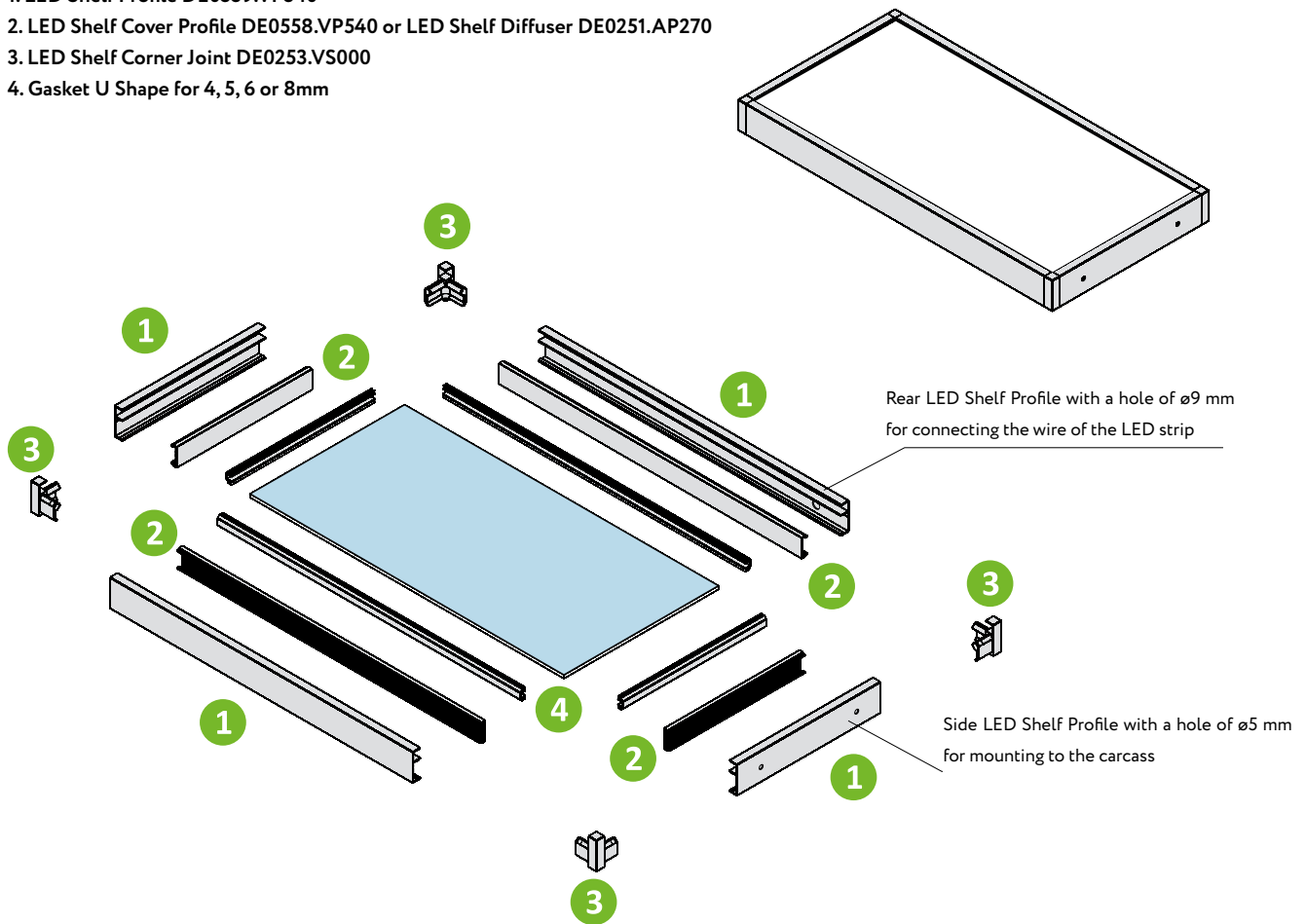
connection of the profiles for years to last.

To cover the bottom part of the LED Shelf Profile DE0559.VP540, you can use either the Shelf Cover Profile DE0558.VP540 or the LED Shelf Diffuser DE0251.AP270. This allows to customize the shelf according to your choice: you may place the LED strip on any of the four sides. The width of the groove inside the LED Shelf Profile fits wide LED strips with a high lighting power. If lighting is not required, simply add the LED Shelf Cover Profile.

The shelf can be installed with common «euro screws». After installation the fasteners are covered with a frame and become invisible.

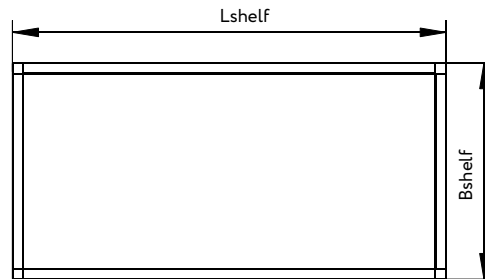
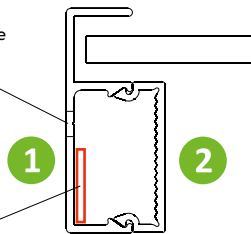
\* Possible colours are according to the Standard system colour chart EXW China.

1. LED Shelf Profile DE0559.VP540
2. LED Shelf Cover Profile DE0558.VP540 or LED Shelf Diffuser DE0251.AP270
3. LED Shelf Corner Joint DE0253.VS000
4. Gasket U Shape for 4, 5, 6 or 8mm



The hole of  $\varnothing 5$  mm for mounting to the carcass

Designated Space for the LED strip



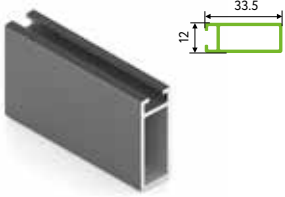
**Recommendation:**  
Install the LED strips in the front shelf or in the front and side shelves (in the back it is too easily visible).

**Note:**  
Maximum load on the shelf: up to 10 kg.  
LED strip up to 24 V, width up to 20 mm, thickness up to 5 mm.

- 1 Prepare the necessary elements. For cutting the profiles use a circular saw to guarantee a clean cut.
- 2 Drill holes in the LED Shelf Profiles DE0559.VP540 to mount the shelf to the carcass (5 mm) and as an output for the wire of the LED strip (9 mm).
- 3 Connect the insert to the grooves of the LED Shelf Profiles. For materials less than 10 mm thick use the appropriate gasket.
- 4 Fix the LED Shelf Corner Joints DE0253.VS000 to the frames with screws. LED Profiles and joints should be connected to each other without any gaps, especially where visible. Do not use excessive force when tightening the screws.
- 5 Install the shelf in the right place according to the required level, using self-tapping screws or «euro screws».
- 6 Install the LED strip and connect its wire through the rearside hole (9 mm) to its source of power.
- 7 Clip the LED Shelf Cover Profiles DE0558.VP540 and/or the LED Shelf Diffuser DE0251.AP270 to the grooves of the LED Shelf Profile DE0559.VP540 (key-lock principle). First the LED Shelf Cover Profiles in the front and back are installed, then the ones on both sides. They should clip into the LED Shelf Profile without any gaps.
- 8 Check the strength of the connection between the clip-on profiles and the proper operation of the LED strips.

Calculation of Aluminium LED Shelf Elements		
		Formula by shelf size
Basic LED Shelf Profile DE0559.VP540 sizes	front / rear	$L_{dw}=L_{shelf}-20$
	left / right	$L_{dw}=B_{shelf}-20$
LED Shelf Cover Profile sizes (aluminum DE0558.VP540 or LED Shelf Diffuser DE0251.AP270)	front / rear	$L_{dw}=L_{shelf}-20$
	left / right	$L_{dw}=B_{shelf}-30$
Insert with the thickness of 10 mm	width	$L_p=L_{shelf}-3$
	depth	$L_p=L_{shelf}-3$
Insert with the thickness of 8 mm	width	$L_p=L_{shelf}-5$
	depth	$B_p=B_{shelf}-5$
Insert with the thickness of 4-7 mm	width	$L_p=L_{shelf}-6$
	depth	$B_p=B_{shelf}-6$

**EDGE System. Aluminium Rod**



**AA0717.VP540**  
**Aluminium Rod EDGE**  
 10 pcs per pack.  
 Color: black sandy \*

**NEW**



**AA0733.VP540**  
**Aluminium Rod Elips**  
 10 pcs per pack  
 Color: black sandy \*



**AA1403.VR000**  
**Wall to Wall Support For Square Rod EDGE**  
 200 pcs per pack  
 In the kit: fixture 1 pc, ST4x16 screw 2 pcs  
 Color: black, champagne, gold, silver, white, bronze



**AA1401.VP000**  
**End Support For Square Rod EDGE**  
 200 pcs per pack  
 In the kit: fixture 1 pc, M6x30 screw 1 pc  
 Color: black, champagne, gold, silver, white, bronze



**AA1402.VP000**  
**Center Support For Square Rod EDGE**  
 200 pcs per pack  
 In the kit: fixture 1 pc, M6x30 screw 1 pc  
 Color: black, champagne, gold, silver, white, bronze



**AA1404.VP000**  
**Corner Support For Square Rod EDGE**  
 100 pcs per pack  
 In the kit: fixture 1 pc, M6x30 screw 1 pc  
 Color: black, champagne, gold, silver, white, bronze



**NEW**

**AA0034.VP000**  
**Support for Aluminium Rod Elips, Wall to Wall**  
 30x16 mm  
 2 pcs per pack  
 Color: black, champagne, gold, silver, white, bronze



**NEW**

**AA0035.VP000**  
**Support for Aluminium Rod Elips, Under Shelf**  
 30x16 mm  
 1 pcs per pack  
 Color: black, champagne, gold, silver, white, bronze



**NEW**

**AA0033.AM100 (EDGE)**  
**SA0033.VM100 (ELIPS)**  
**Clothes Rod Gasket**  
 100 m/roll  
 Color: black, grey

**Interior:**

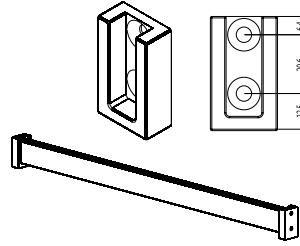
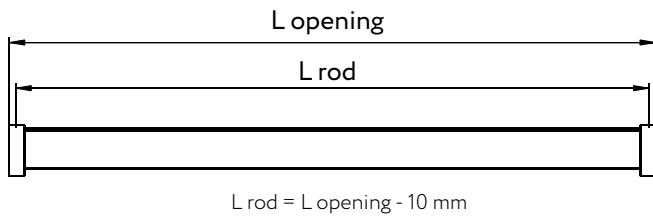
*Aluminium Rod  
 Black Matt Color  
 EDGE System*

\* Possible colours are according to the Standard system colour chart EXW China.

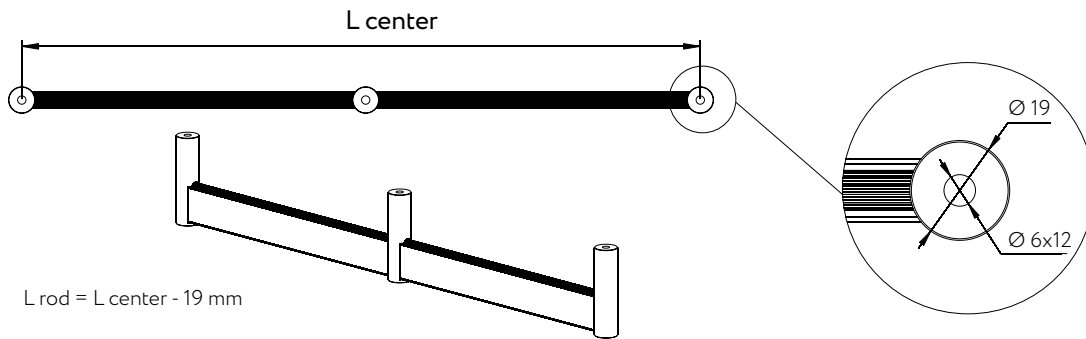
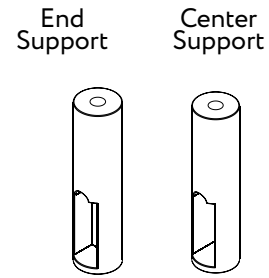
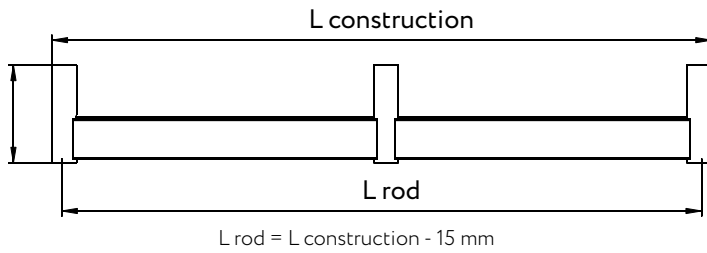


**EDGE System. Calculation of the rectangular Aluminium Rod length**

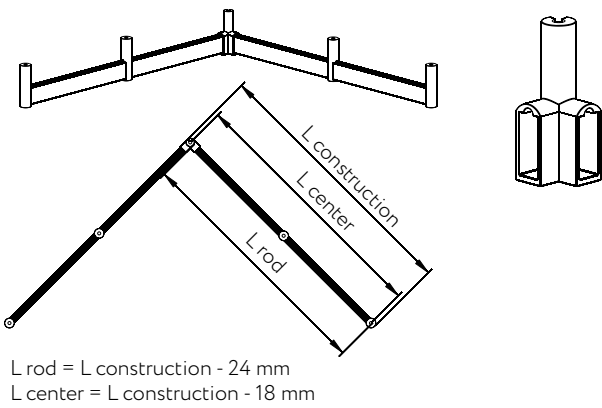
**The installation of the rod with wall to wall support**



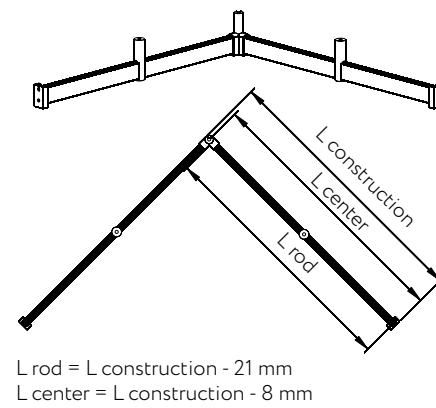
**The installation of the rod with end and center supports**



**The installation of the rod with corner and end supports**

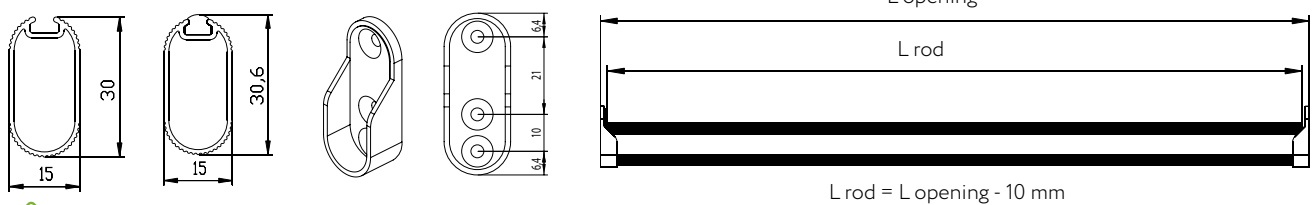


**The installation of the rod with wall to wall and corner supports**



**EDGE System. Calculation of the Aluminium rod Elips length**

**The installation of Aluminum Rod Elips**



Recommendation: For rod lengths over 900 mm use through mount.

# Facade Frames

The system of profiles and components for pivot facades with glass or mirror inserts. In such facades, only the frame and the transparent filling are externally visible.

The exceptional laconicism of the products is achieved due to invisible opening hinges, a profile handle and a hidden furniture body.

Maximum comfort in operation is ensured by a high-quality, reliable profile coupled with unique mechanisms.



Narrow facade profile 831, 832



  
**2600 mm**  
Max door  
height

  
**600 mm**  
Max door  
width

  
up to **30 kg**  
Max door  
weight

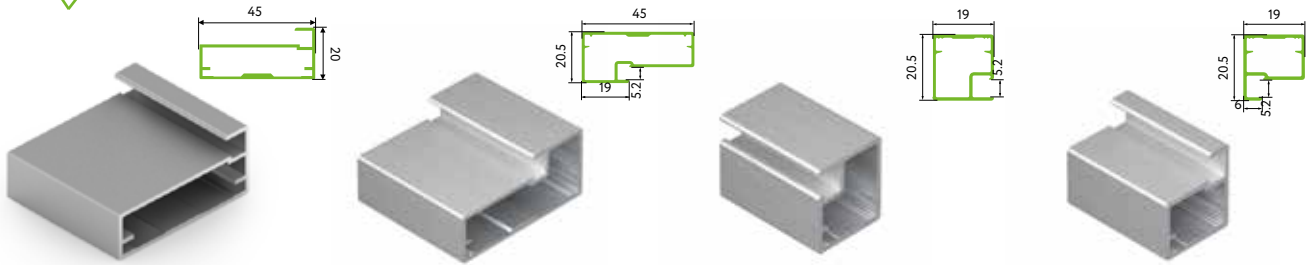
Facade profile 298, 834, 295, 296

Interior:

Narrow Facade Profile 831  
Brushed Gold Color



**Facade Frames. Product Range**



**DA0298.VP580**  
**Facade Profile 298**  
 10 pcs per pack

**DE0834.VP540**  
**Facade Profile 834**  
 10 pcs per pack

**DE0831.VP540**  
**Narrow Facade Profile 831**  
 10 pcs per pack

**DE0832.VP540**  
**Narrow Facade Profile 832**  
 10 pcs per pack



**DE0019.VS000**  
**Narrow Facade Profile Corner Joint**  
 The set includes: corner - 4 pcs; screws black - 8 pcs, screws silver - 8 pcs.  
 150 sets per pack



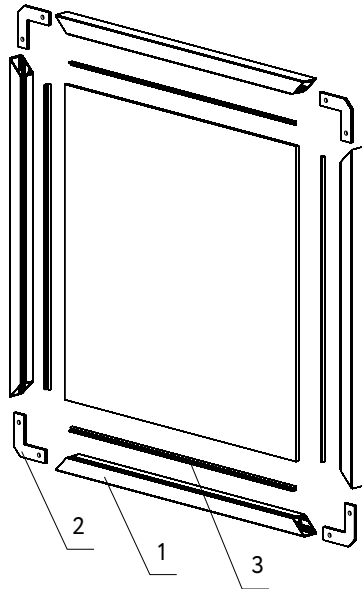
**DA0038.VP000**  
**Facade Profile Corner Joint**  
 A set includes 1 corner joint, 2 screws.  
 300 sets per pack



**DA0004.VM200**  
**Gasket L Shape, PVC**  
 200 m/roll

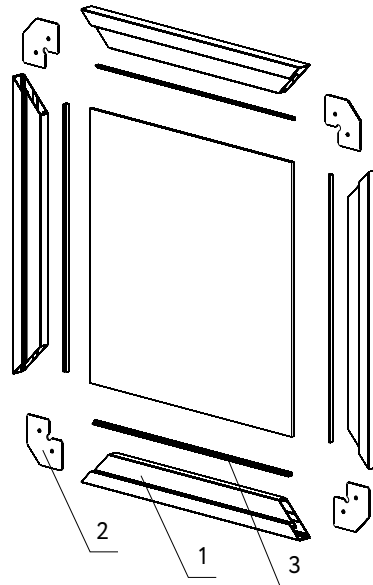
**Facade profile assembly scheme**

**Narrow facade profile**



1. Narrow facade profile (DE0831, DE0832)  
 2. Corner joint (DE0019)  
 3. Gasket (DA0004)

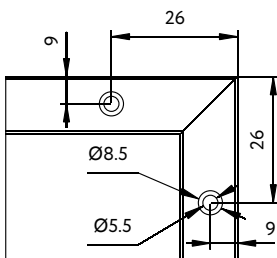
**Facade profile**



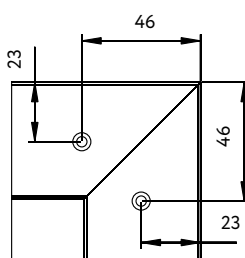
1. Facade profile (DE0298, DE0834)  
 2. Corner joint (DA0038)  
 3. Gasket (DA0004)

**Profile fastening**

**DE0831, DE0832**



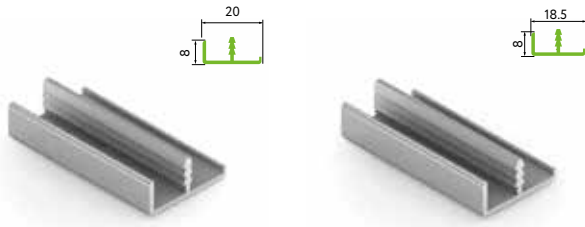
**DE0298, DE0834**



L/N insert = L/N facade - 5 mm (DA0298)  
 L/N insert = L/N facade - 31 mm (DE0834)  
 L/N insert = L/N facade - 28 mm (DE0831)  
 L/N insert = L/N facade - 5 mm (DE0832)

L - length  
 H - height

## Facade Frames. Profiles



DA0295.VP580

**Front Frame Profile 295, 18 mm**

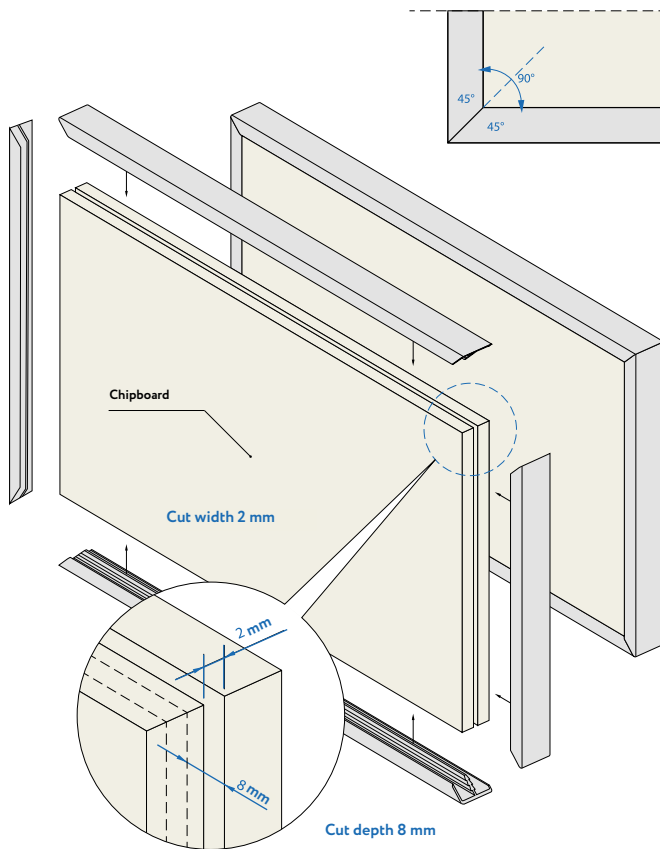
20 pcs per pack

DA0296.VP580

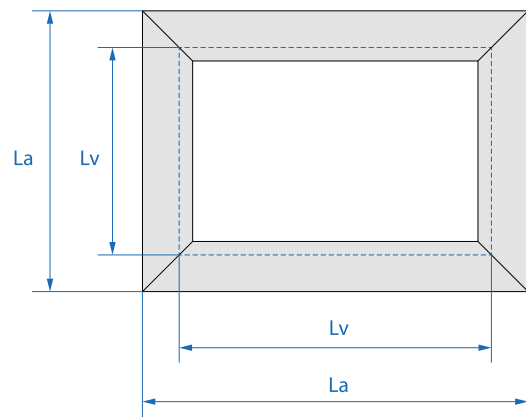
**Front Frame Profile 296, 16 mm**

20 pcs per pack

## Facade Frames. Assembling Scheme



## Facade Frames. Panel Dimension Calculation



La - profile length

Lv - insert part length

$Lv = La - 3 \text{ mm}$  (Profiles DA0295.VP580 and DA0296.VP580)

## Technical Information

### Recommended sizes and weights of doors and partitions

	Door height, mm	Door width, mm	Door weight, kg
Profile 298, 834, 295, 296	up to 2600	up to 600	up to 30
Profile 831, 832	up to 2100	up to 600	up to 30

### Number of hinges depending on the height of the facade

Facade height, mm	Facade width, mm	Number of hinges, pc
from 0 to 900	up to 600	2
from 900 to 1500	up to 600	3
from 1500 to 2000	up to 600	4
from 2000 to 2100	up to 600	5 (for facades from 20 to 30 kg + 1 hinge)
from 2100 to 2600	up to 600	5 (for facades from 20 to 30 kg + 1 hinge)



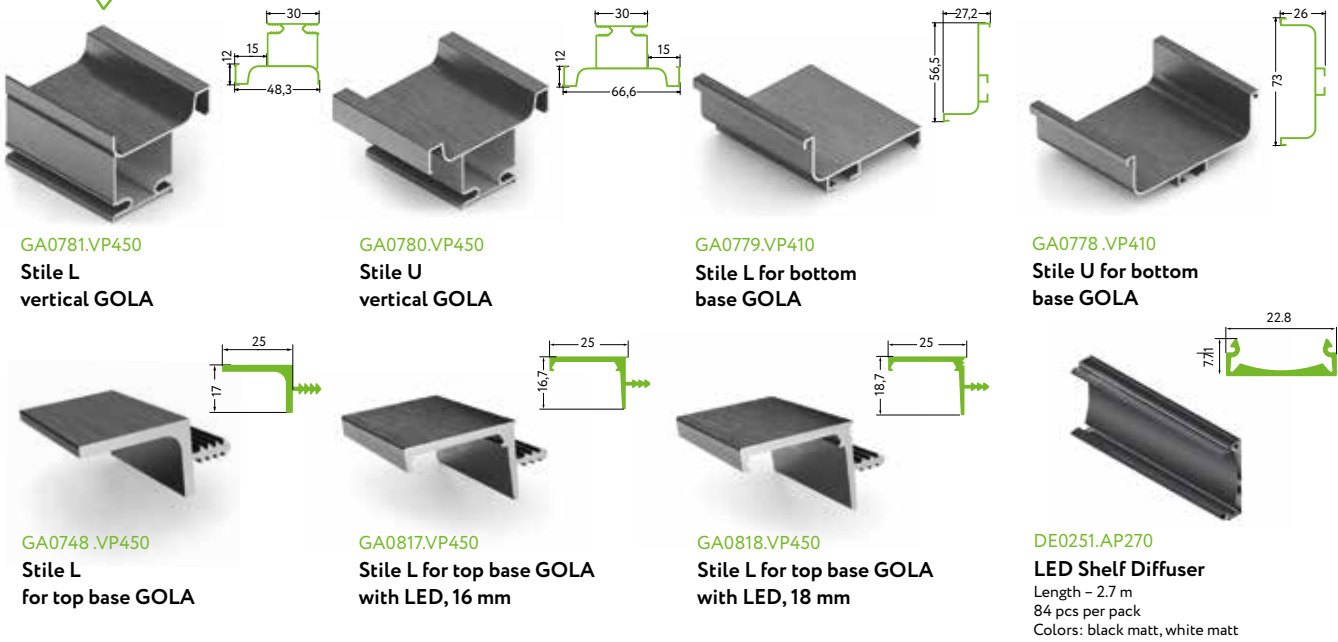
## GOLA System



The cutting-edge design implies no visible front fittings. The GOLA system is used to open doors without handles.

This is a special aluminium profile built into the frame, and the facade adjoins it. Due to the curved shape of the profile, there is formed the required space between the profile and the door to grip the door. The GOLA profile in facades looks as a stylish and futuristic metal line!

**GOLA System. Profile Range**



**Gola System. Color Chart\***



**GOLA System. Fasteners**



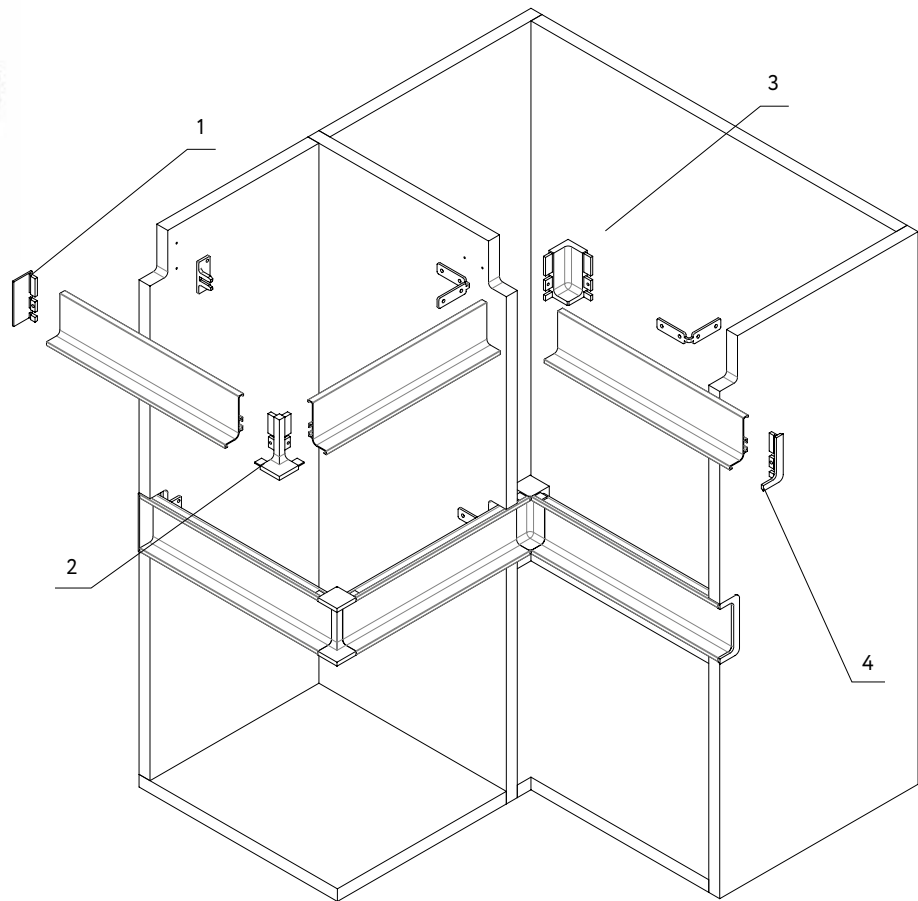
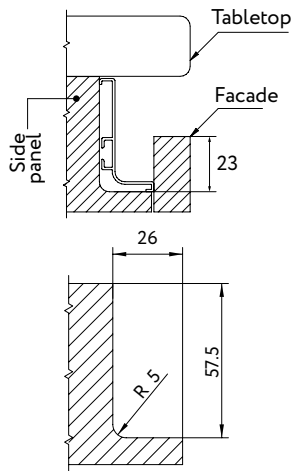
**GOLA System. Accessories**



Assembly scheme

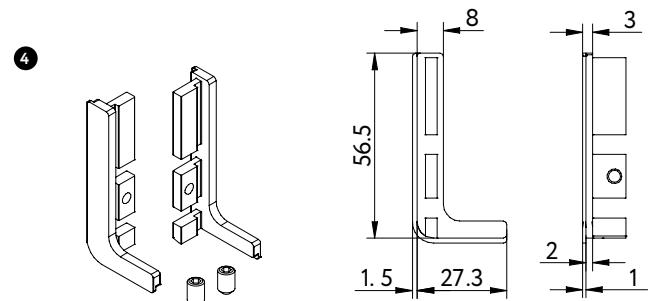
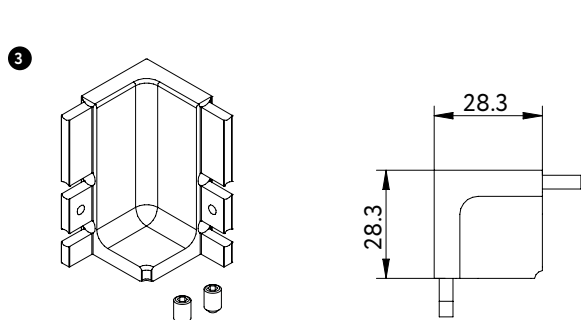
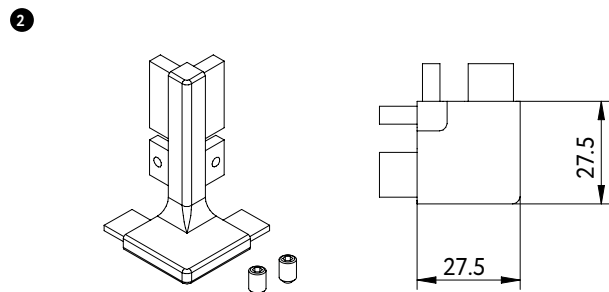
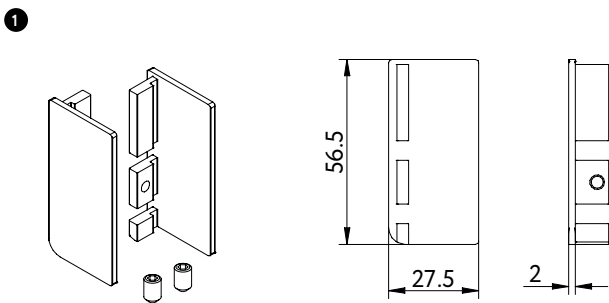


GA0779.VP410  
Stile L for bottom  
base GOLA



Components:

1. GA0041.VS000 End cap L GOLA
2. GA0043.VP000 External corner L GOLA
3. GA0042.VP000 Internal corner L GOLA
4. GA0040.VS000 Trim cap L GOLA

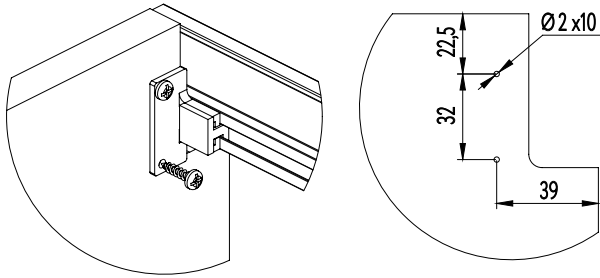


**GOLA System. Installation of style L under the tabletop**

**Mounting scheme**

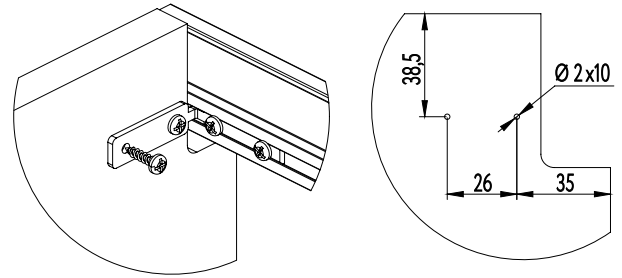
Option 1

GA0001.VR000.GR000.FX  
Frame bracing GOLA, plastic



Option 2

GA0002.VR000.ZN0EP.FX  
Corner Joint GOLA, steel



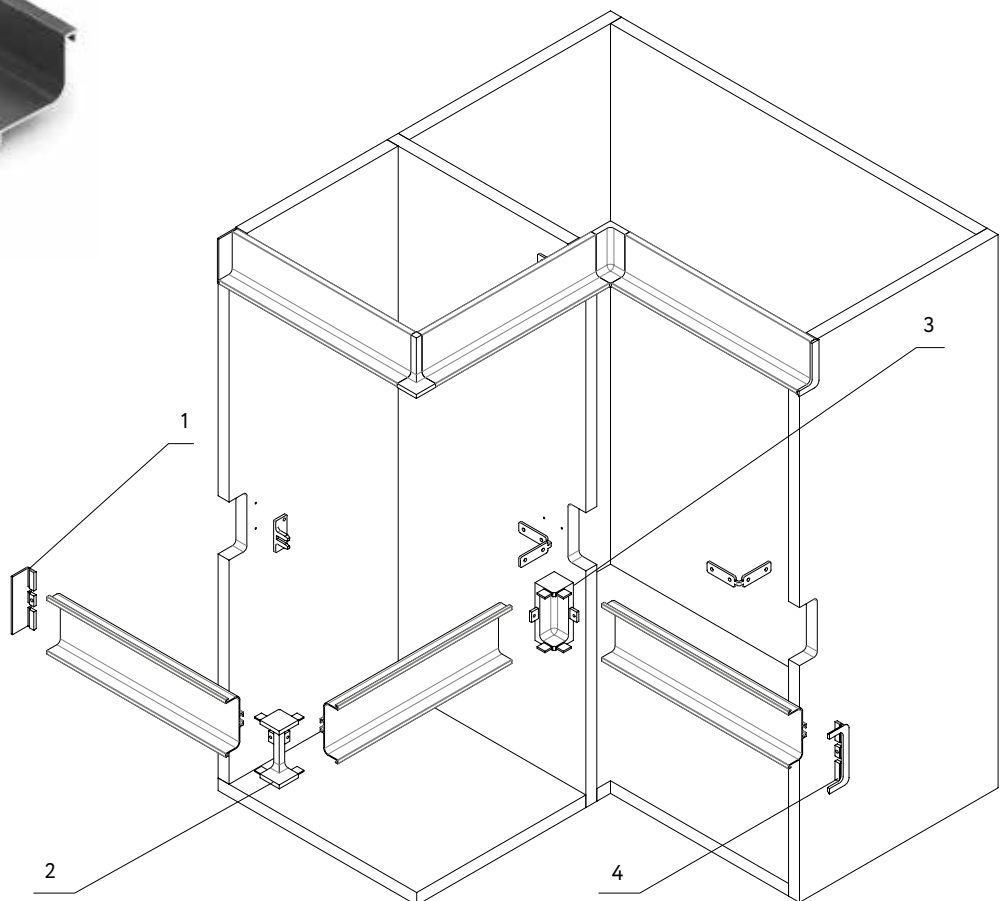
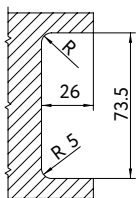
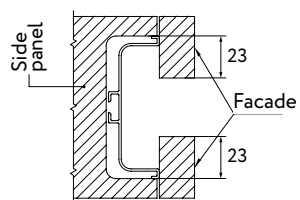
To fix the fastener to the sidewall, use a 3.9x16 self-tapping screw with a semicircular head.

**GOLA System. Installation of style U in the bottom base**

**Assembly scheme**

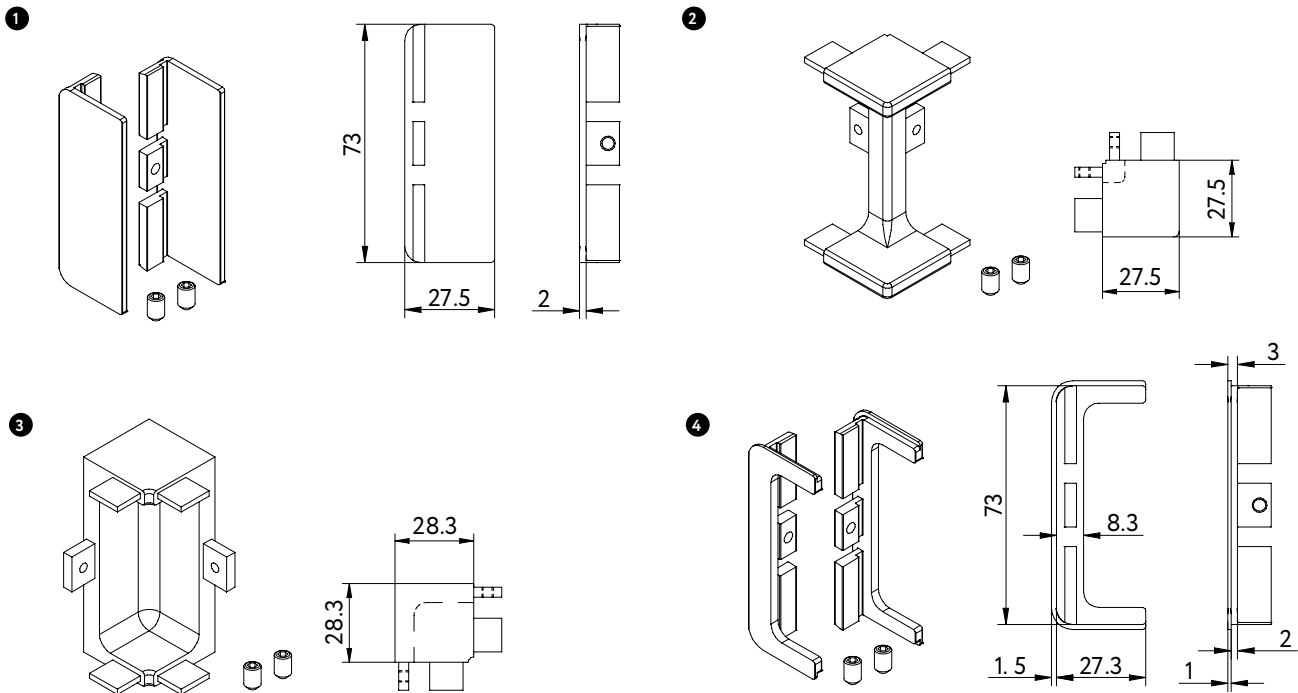


GA0778.VP410  
Stile U for bottom  
base GOLA



Components:

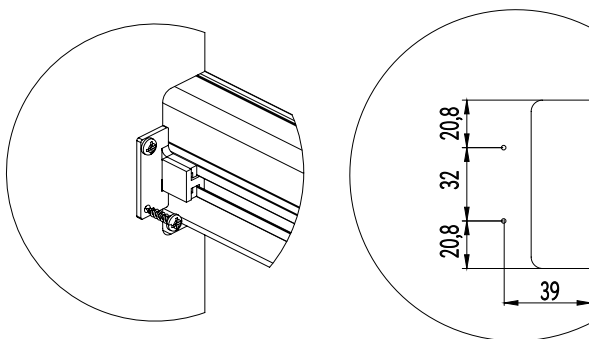
1. GA0031.VS000 End cap U GOLA
2. GA0033.VP000 External corner U GOLA
3. GA0032.VP000 Internal corner U GOLA
4. GA0030.VS000 Trim cap U GOLA



Mounting scheme

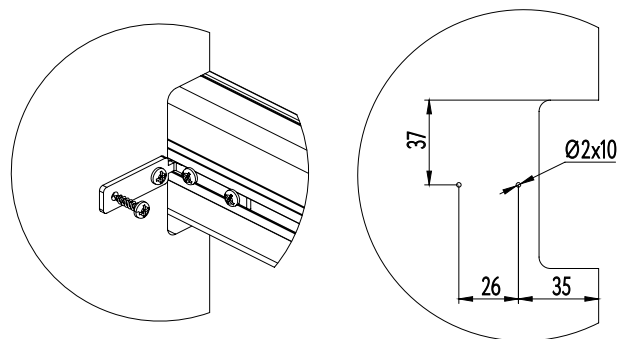
Option 1

GA0001.VR000.GR000.FX  
Frame bracing GOLA, plastic



Option 2

GA0002.VR000.ZN0EP.FX  
Corner Joint GOLA, steel

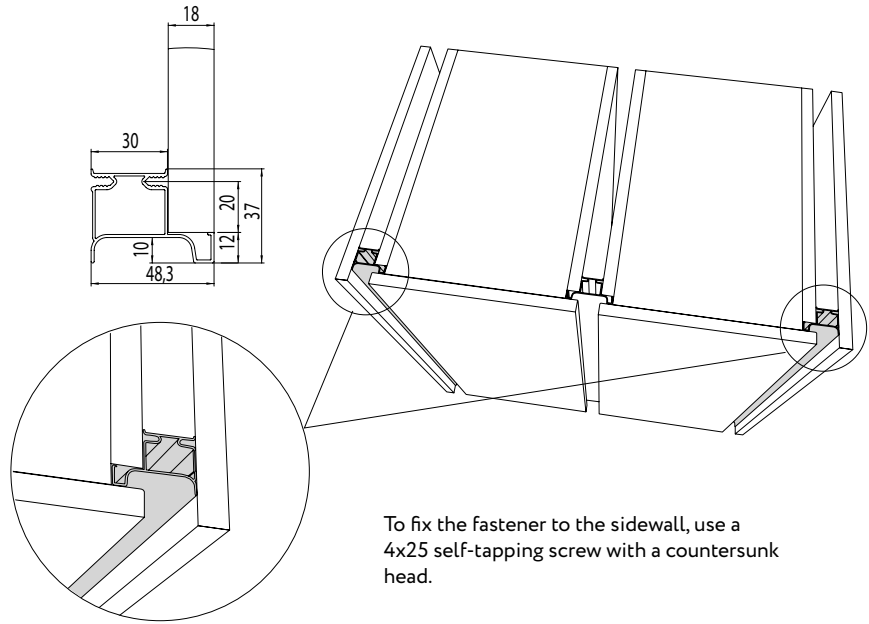


To fix the fastener to the sidewall, use a 3.9x16 self-tapping screw with a semicircular head.

**GOLA System. Installation of style L in a column profile**



**GA0781.VP450**  
Stile L  
vertical GOLA

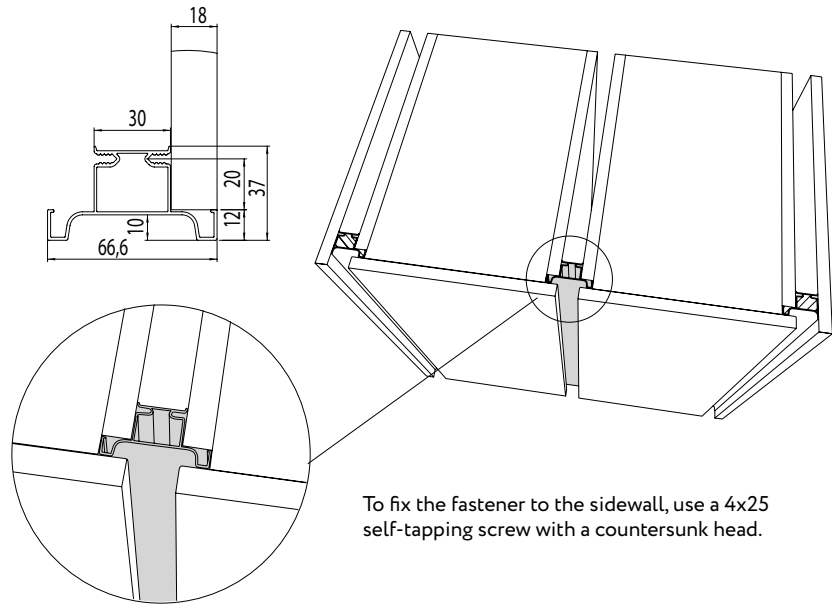


To fix the fastener to the sidewall, use a 4x25 self-tapping screw with a countersunk head.

**GOLA System. Installation of style U in a column profile**

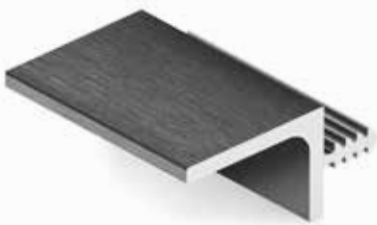


**GA0780.VP450**  
Stile U  
vertical GOLA

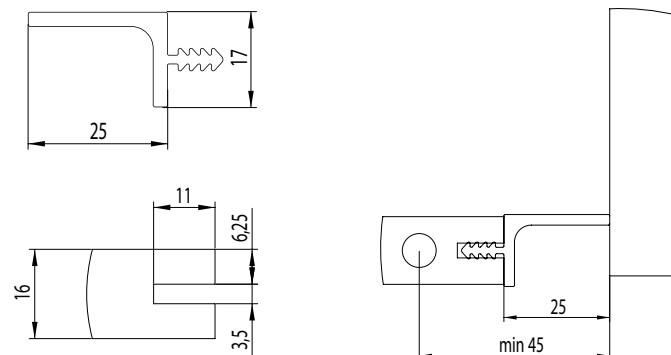


To fix the fastener to the sidewall, use a 4x25 self-tapping screw with a countersunk head.

**GOLA System. Installation of the handle profile in the top base**



**GA0748.VP600**  
Stile L for top  
base GOLA







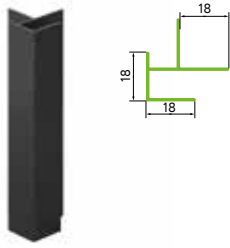
## Plinth



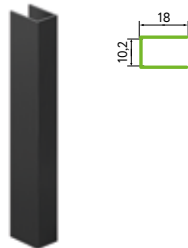
The final touch for the kitchen is given by the plinth. ARISTO aluminium plinth has reliable fastening and an aesthetic laconic look that fits into any interior.

A special ventilation grid made in modern design is implemented into the aluminium skirting board and preserves the furniture from moisture and mould, therefore, serves as a protective and decorative element simultaneously.

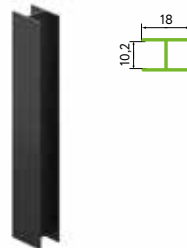
**Plinth. Elements**



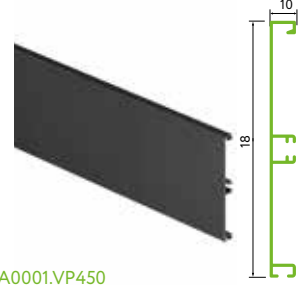
PA0003.VP450  
**Universal Plinth Corner, L=4500**



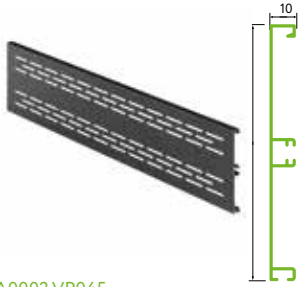
PA0006.VP450  
**End Cap Plinth, L=4500**



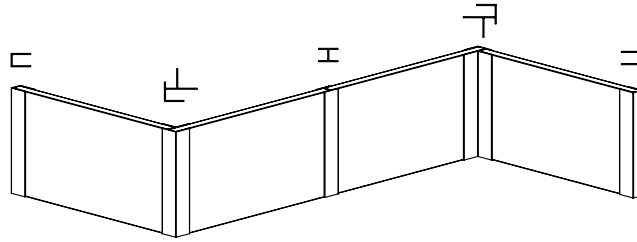
PA0004.VP450  
**Straight Plinth Connector,  
L=4500**



PA0001.VP450  
**Aluminium Plinth Skirting 100 mm,  
L=4500**



PA0002.VP045  
**Ventilation Grid for Plinth 100 mm,  
L=450**



# 4 in 1 System

Our 4 in 1 System is a truly unique modular system which suits even the most complex design requirements from a customer. The 4 in 1 System allows you to create projects with folding doors, pivot and sliding doors wardrobes as well as top-hung solutions and fixed partitions. The basic element of the system is the patented Stile Fusion.

The advantage of the 4 in 1 System as a whole is having the same design and the same profiles for different applications. Therefore the system lowers the pressure on stock-keeping and gives you more flexibility in designing the whole home, not only one door-opening. This gives you the opportunity to sell more doors to the customer – one set of doors for all imaginable applications – all with the same design if necessary.




  
**3200** mm  
Max door height

  
**500-1200** mm  
Door width

  
up to **60** kg  
Door weight

  
Soft closer for smooth door closing

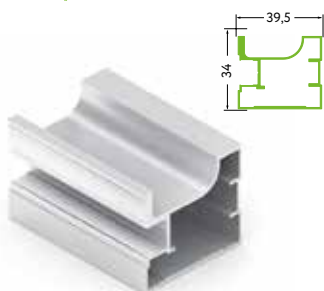
  
Cut-in lock

  
Two axis adjustment

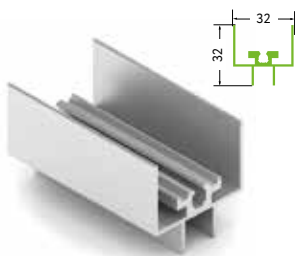


1. Top Hung System
2. Folding System
3. Pivot System
4. Fixed Partition

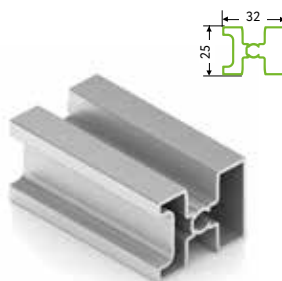
## 4 in 1 System. Profile Range



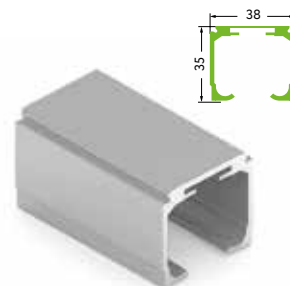
**FA0413.VP540**  
**Stile Fusion**  
 8/6 pcs per pack



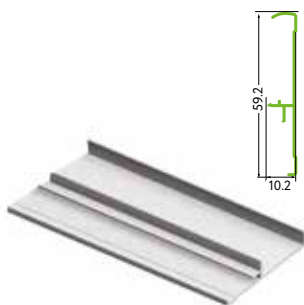
**FA0715.VP500**  
**Universal Top and Bottom Rail**  
 8 pcs per pack



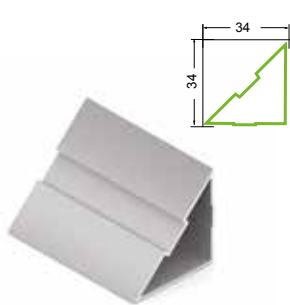
**FA0716.VP500**  
**Dividing Rail**  
 8 pcs per pack



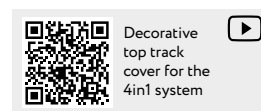
**FA0410.VP500**  
**Top Track**  
 8 pcs per pack



**FA0682.VP508**  
**Top Track Cover**  
 16 pcs per pack



**FA0427.AP540**  
**Corner Profile**  
 8 pcs in the package



**Recommendation:**  
 All anodizing and powder coating colors from Standard System EXW China are available.

## 4 in 1 System. Railing Handle



**FA0418.VP540**  
**Railing Handle**  
 10 pcs per pack



**FA0003.VP000**  
**Railing Handle Support**  
 Colors: Silver, Black, White, Gold, Bronze, Champagne  
 100 pcs per pack



**FA0004.VR000**  
**Railing Handle End Covers**  
 Colors: Silver, Black, White, Gold, Bronze, Champagne  
 1000 pcs per pack

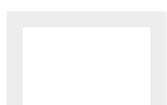


Interior:  
Style Fusion  
Color: Mars  
Fixed Partition

## 4 in 1 System Top Hung System

The Top Hung System gives you the advantage of not having a bottom track – this is a common requirement for sliding doors. Without the bottom tracks, sliding doors become more applicable as a solution to divide different rooms – only to mention one example. The doors can either be mounted to the ceiling or to the wall – with a recommended maximum weight of up to 60 kg.

The system can also be supplemented with both sequential and synchronous mechanisms: pulling one door will open the other one automatically (either to the same or to the opposite direction).




  
**3200** mm  
Max door  
height

  
**500-1200** mm  
Door  
width

  
up to **60** kg  
Door  
weight

  
Soft closer  
for smooth door  
closing

  
Cut-in  
lock

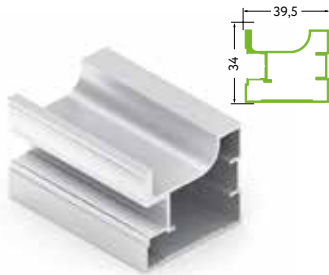
  
Two axis  
adjustment



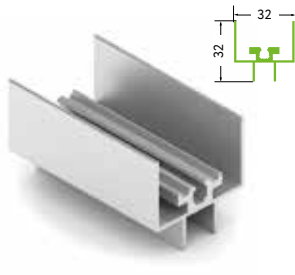
Interior:  
*Stile Fusion*  
*Black Sandy Color*  
*Top Hung System*



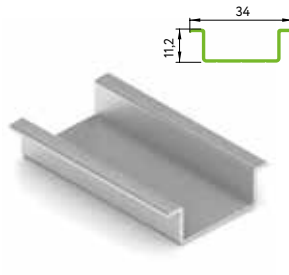
## Top Hung System. Profile Range



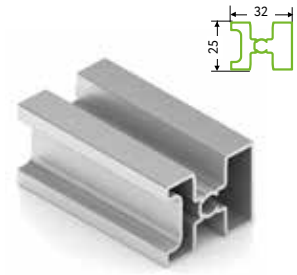
**FA0413.VP540**  
**Stile Fusion**  
8/6 pcs per pack



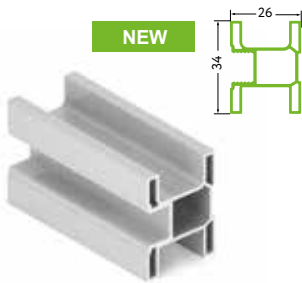
**FA0715.VP500**  
**Universal Top and Bottom Rail**  
8 pcs per pack



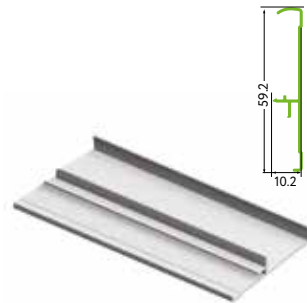
**NB0746.VP540**  
**Handle Rail 10 mm**  
12 pcs per pack



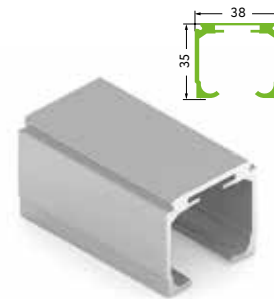
**FA0716.VP500**  
**Dividing Rail**  
8 pcs per pack



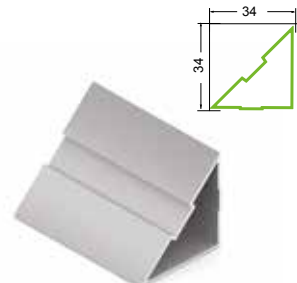
**AS0750.VP540**  
**Stile Smart**  
10 pcs in the package



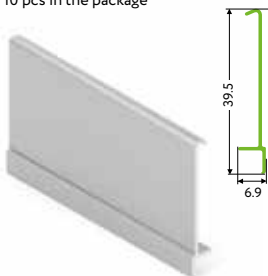
**FA0682.VP508**  
**Top Track Cover**  
16 pcs per pack



**FA0410.VP500**  
**Top Track**  
8 pcs per pack



**FA0427.AP540**  
**Corner Profile**  
8 pcs in the package



**FA0821.VP540**  
**Cover for cable retainer**  
16 pcs per pack

**Recommendation:**  
All anodizing and powder coating colors from Standard System EXW China are available.

## Top Hung System. Accessories



**FH0043.VP000**  
**Top Track End Cover Joint**  
Colors: silver, white, brown, black, gold, champagne  
500 pcs per pack



**FH0020.VP000**  
**Top Track Suspension**  
For on wall installation  
100 pcs per pack



**FH0010.CR000**  
**Top Roller**  
2 pcs per set  
50 sets per pack



**FH0030.VS000**  
**Ground Roller with Plate**  
1000 pcs per pack



**FH0090.BS000**  
**Synchronous Mechanism**  
1/30 pc. per pack



**FH0023.VS000\***  
**Sequential Synchronous Door Kit**  
1/30 pc. per pack



**FH0024.VS000\***  
**Sequential Synchronous Door Fixture Kit**  
1/30 pc. per pack



**FH0014.VP000\***  
**Plug for extended roller**  
200 pcs per pack  
Colors: silver, white, black

## Top Hung System. Accessories



**FH0060.VR000\***  
**Sequential Mechanism**  
**Left/Right**  
 10 pcs per pack



**FH0050.BR000**  
**Positioners for Top Hung System**  
 2 pcs per set  
 250 sets per pack



**FH0031.VP000**  
**Ground Roller Adjustable Plate**  
 100 pcs per pack



**FH0171.VP000**  
**Soft Closer for Top Hung System**  
 25 pcs per pack



**AA0040.VP000**  
**Weather Strip Clip 9x5**  
 Colors: black, inox  
 100 pcs per pack



**AA0104.VM200**  
**Weather Strip PU**  
 Colors: white, grey, brown, black  
 200 m/roll



**AA0956.VM200**  
**Weather Strip**  
 Height - 5 mm, Width - 9 mm, 200 m/roll



**AA0084.VM100**  
**Silicon Gasket U Shape, Multi-purpose**  
 Colors: black, transparent  
 4 mm, 100 m/roll



**AA8884.VM200, AA8885.VM240, AA8886.VM250, AA8888.VM320**  
**Silicon Gasket U Shape**  
 4 mm - 200 m/roll  
 5 mm - 240 m/roll  
 6 mm - 250 m/roll  
 8 mm - 320 m/roll



**AA0075.VP000, FA0646.VP000**  
**Screw 6x30/6x40**  
 5000 pcs per pack



**FH0102.VP000\***  
**Lock Fusion for One-level Doors**  
 Colors: silver, gold, champagne, bronze, black, white  
 1/50 pc. per pack



**FH0101.VP000\***  
**Lock Fusion for Two-level Doors**  
 Colors: silver, gold, champagne, bronze, black, white  
 1/50 pc. per pack



**FF0004.VP000**  
**Positioner**  
 400 pcs per pack



**NA0036.VP000\***  
**End Cap for Mortise Handle**  
 500 pcs per pack



**FH0070.VP000\***  
**Cut-in Handle for Fusion**  
 10 pcs per pack  
 Colors: silver, white, black



**AA0037.VP000**  
**Overhead Handle**  
 180x40x10 mm  
 Colors: black matt, silver matt, white matt, champagne matt, champagne glossy, gold glossy

\* These accessories are used only with the stile FUSION

## Top Hung System. Technical Information

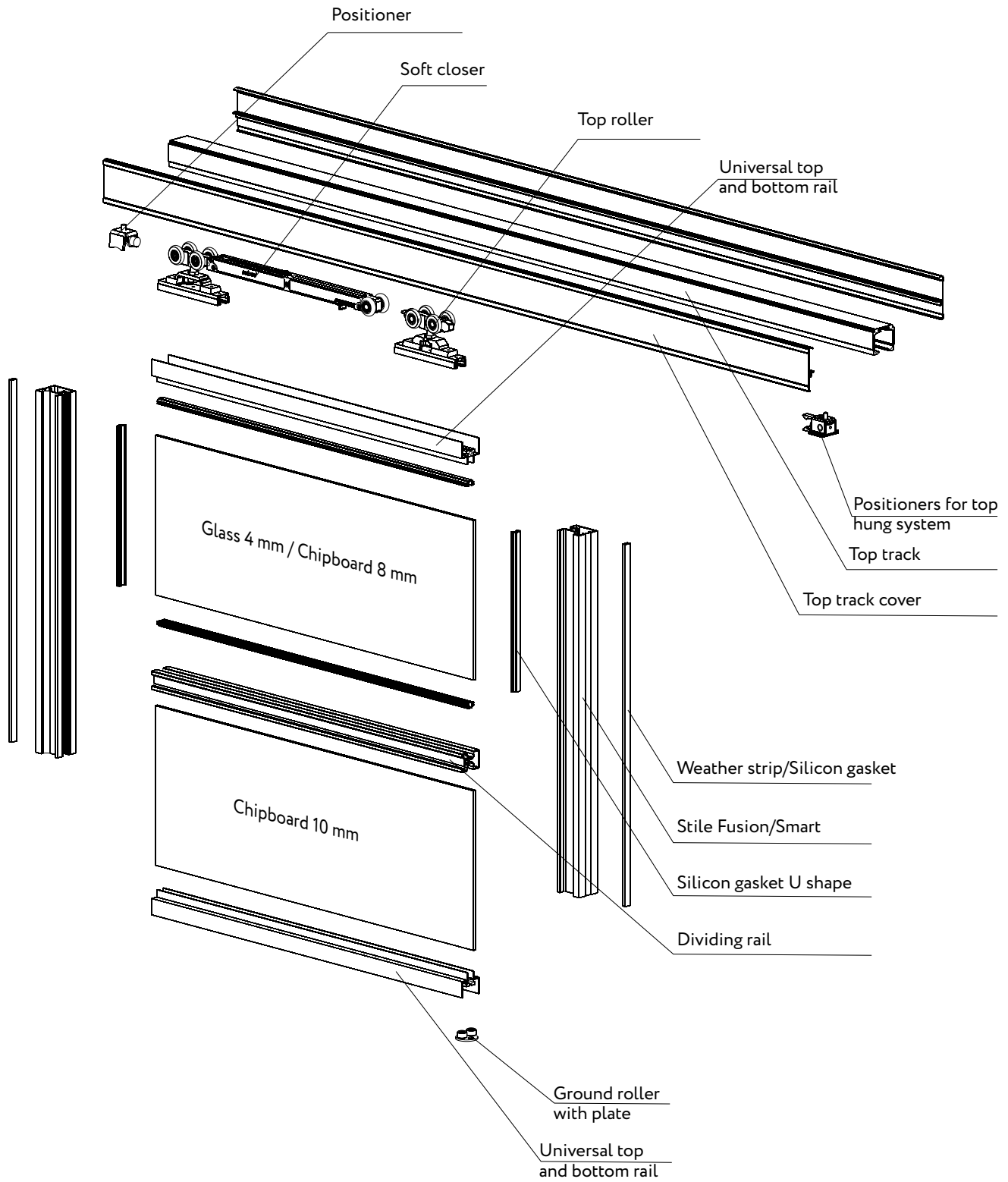
### Recommended Sizes and Weights of Doors and Partitions

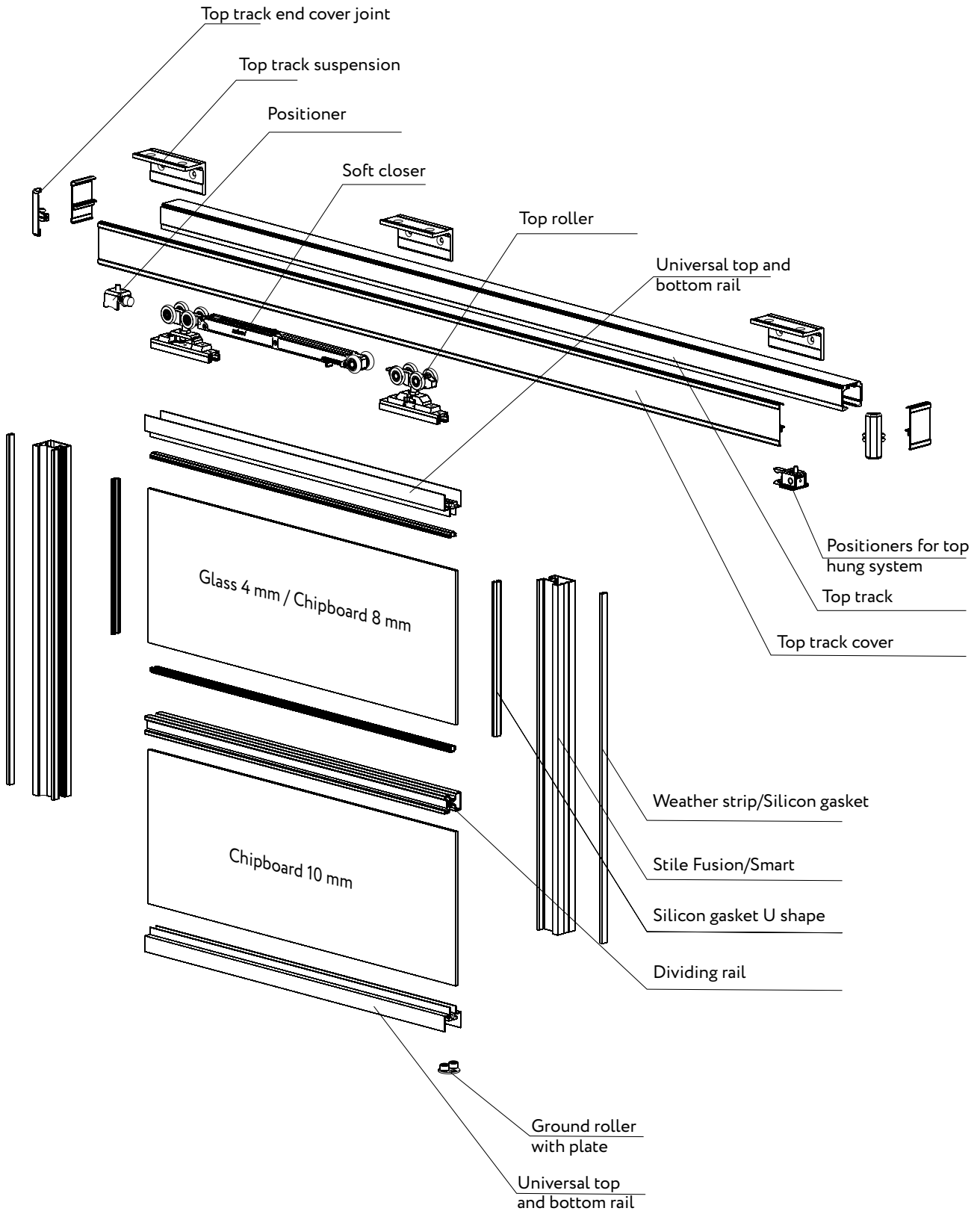
	Door Height, mm	Door Width, mm	Door Weight, kg
4 in 1 Top Hung System with Soft Closer*	up to 3200	650-1200	up to 60
4 in 1 Top Hung System without Soft Closer*	up to 3200	500-1200	up to 60

\* The permissible height-to-width ratio for sliding doors and partitions is no more than 4/1 (The recommended one is 3/1)



The minimal width of the door for installing one soft closer is 600 mm. The minimal width of the door for installing two soft closer is 900 mm. For installing Top Hung System with the synchronously opening mechanism and total weight of doors less than 80 kg use 1 soft closer for closing or opening. If the doors weight more than 80 kg use two soft closers.

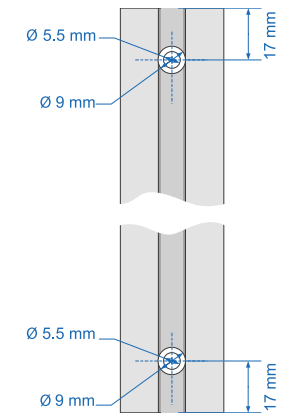




Door sizes calculation according to the doorway parameters for sliding system		
Name	Sign	Formula
Door height	<b>Hd</b>	$Hd = Hd_w - 60 \text{ mm}$

Name	Sign
Doorway height	<b>Hd<sub>w</sub></b>
Doorway width	<b>Ld<sub>w</sub></b>
Door height	<b>Hd</b>
Door width	<b>Ld</b>
Panel height	<b>Hip</b>
Panel width	<b>Lip</b>
Length of top (dividing, bottom) rails	<b>Lr</b>
Number of doors	<b>N</b>

Расчет ширины дверей			
Mode	Top view	Door width w/o weather strip	Door width w/ weather strip
Single-door wall-mounted		$Ld = Ld_w + 39 \text{ mm}$	$Ld = Ld_w + 39 \text{ mm}$
Two-doors wall-mounted		$Ld = Ld_w/2 + 39 \text{ mm}$	$Ld = (Ld_w - 10 \text{ mm})/2 + 39 \text{ mm}$
Two-doors in the doorway		$Ld = (Ld_w + 39 \text{ mm})/2$	$Ld = (Ld_w + 29 \text{ mm})/2$
Sequential opening, rollback behind the doorway		$Ld = (Ld_w + 39 \times (N - 1) + 53 \text{ mm})/N$	$Ld = (Ld_w + 12 \times (N - 1) + 48 \text{ mm})/N$
Sequential opening in the doorway		$Ld = (Ld_w + 39 \times (N - 1))/N$	$Ld = (Ld_w + 39 \times (N - 1) - 10 \text{ mm})/N$
Four-doors in the doorway		$Ld = (Ld_w + 78 \text{ mm})/4$	$Ld = (Ld_w + 63 \text{ mm})/4$



Horizontal profiles length calculation		
Name	Sign	Formula
Length of top (dividing, bottom) rails	<b>Lr</b>	$Lr = Ld - 78 \text{ mm}$

Calculation of panel sizes

Calculation of panel height according to the type of panel		
Panel type	Sign	Formula
Chipboard, 10 mm	<b>Hip</b>	$Hip = Hd - 44 \text{ mm}$
Chipboard, 8 mm	<b>Hip</b>	$Hip = Hd - 46 \text{ mm}$
Glass/mirror, 4 mm	<b>Hip</b>	$Hip = Hd - 47 \text{ mm}$

Calculation of panel width according to the type of panel		
Panel type	Sign	Formula
Chipboard, 10 mm	<b>Lip</b>	$Lip = Ld - 60 \text{ mm}$
Chipboard, 8 mm	<b>Lip</b>	$Lip = Ld - 62 \text{ mm}$
Glass/mirror, 4 mm	<b>Lip</b>	$Lip = Ld - 63 \text{ mm}$

Dividing rail

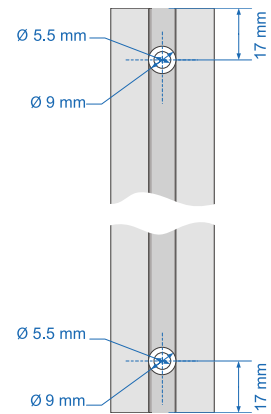
One dividing rail reduces height and width of the panel in the possible combinations by the following values:		
Chipboard (10 mm) / Chipboard (10 mm)	Chipboard (8 mm) / Chipboard (8 mm)	Mirror (4 mm) / Mirror (4 mm)
<b>8 mm</b>	<b>10 mm</b>	<b>11 mm</b>
Chipboard (10 mm) / Chipboard (8 mm)	Chipboard (10 mm) / Mirror (4 mm)	Chipboard (8 mm) / Mirror (4 mm)
<b>9 mm</b>	<b>9.5 mm</b>	<b>10.5 mm</b>

Door sizes calculation according to the doorway parameters for sliding system		
Name	Sign	Formula
Door height	<b>Hd</b>	$Hd = Hdw - 60 \text{ mm}$

Name	Sign
Doorway height	<b>Hdw</b>
Doorway width	<b>Ldw</b>
Door height	<b>Hd</b>
Door width	<b>Ld</b>
Panel height	<b>Hip</b>
Panel width	<b>Lip</b>
Length of top (dividing, bottom) rails	<b>Lr</b>
Number of doors	<b>N</b>

Расчет ширины дверей			
Mode	Top view	Door width w/o weather strip	Door width w/ weather strip
Single-door wall-mounted		$Ld = Ldw + 26 \text{ mm}$	$Ld = Ldw + 26 \text{ mm}$
Two-doors wall-mounted		$Ld = Ldw/2 + 26 \text{ mm}$	$Ld = (Ldw - 10 \text{ mm})/2 + 26 \text{ mm}$
Two-doors in the doorway		$Ld = (Ldw + 26 \text{ mm})/2$	$Ld = (Ldw + 16 \text{ mm})/2$
Four-doors in the doorway		$Ld = (Ldw + 52 \text{ mm})/4$	$Ld = (Ldw + 42 \text{ mm})/4$

Horizontal profiles length calculation		
Name	Sign	Formula
Length of top (dividing, bottom) rails	<b>Lr</b>	$Lr = Ld - 52 \text{ mm}$



Calculation of panel sizes

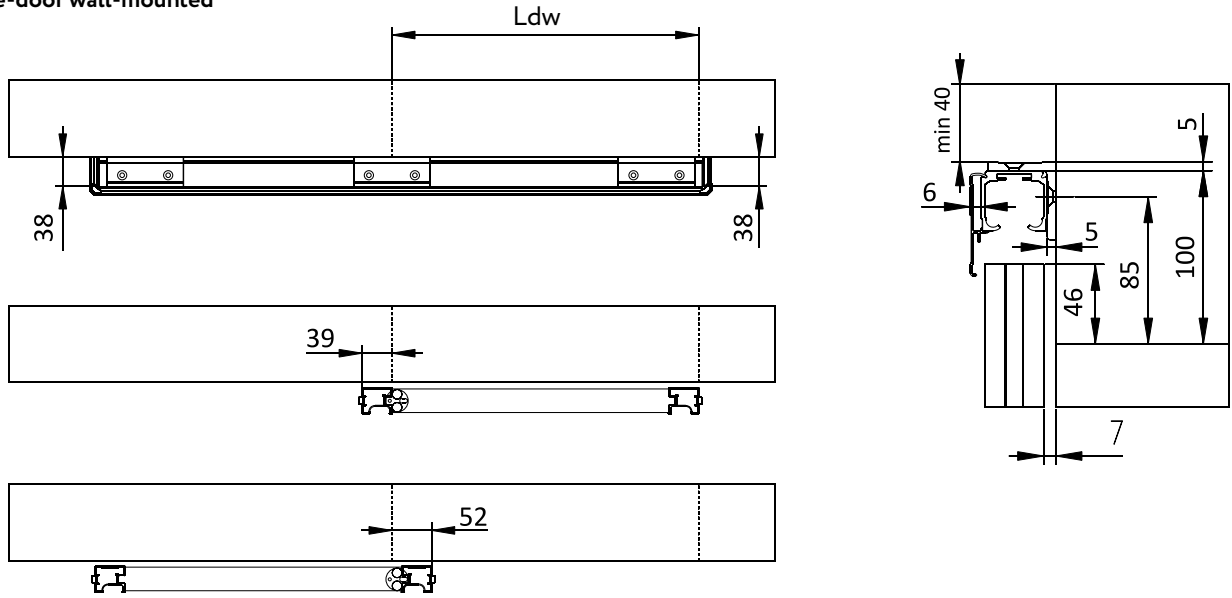
Calculation of panel height according to the type of panel		
Panel type	Sign	Formula
Chipboard, 10 mm	<b>Hip</b>	$Hip = Hd - 44 \text{ mm}$
Chipboard, 8 mm	<b>Hip</b>	$Hip = Hd - 46 \text{ mm}$
Glass/mirror, 4 mm	<b>Hip</b>	$Hip = Hd - 47 \text{ mm}$

Calculation of panel width according to the type of panel		
Panel type	Sign	Formula
Chipboard, 10 mm	<b>Lip</b>	$Lip = Ld - 36 \text{ mm}$
Chipboard, 8 mm	<b>Lip</b>	$Lip = Ld - 38 \text{ mm}$
Glass/mirror, 4 mm	<b>Lip</b>	$Lip = Ld - 39 \text{ mm}$

Dividing rail

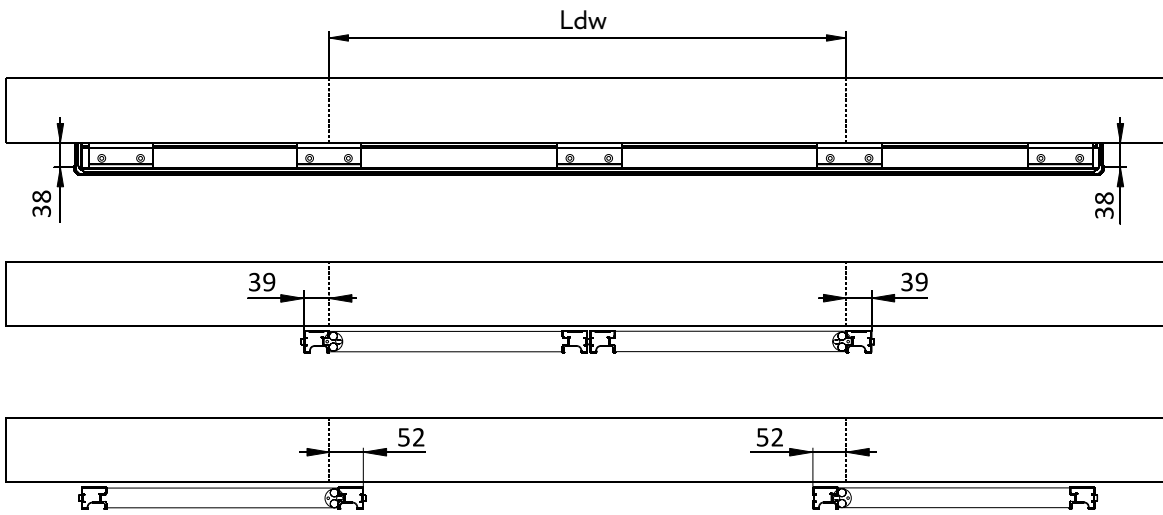
One dividing rail reduces height and width of the panel in the possible combinations by the following values:		
Chipboard (10 mm) / Chipboard (10 mm)	Chipboard (8 mm) / Chipboard (8 mm)	Mirror (4 mm) / Mirror (4 mm)
<b>8 mm</b>	<b>10 mm</b>	<b>11 mm</b>
Chipboard (10 mm) / Chipboard (8 mm)	Chipboard (10 mm) / Mirror (4 mm)	Chipboard (8 mm) / Mirror (4 mm)
<b>9 mm</b>	<b>9.5 mm</b>	<b>10.5 mm</b>

Single-door wall-mounted



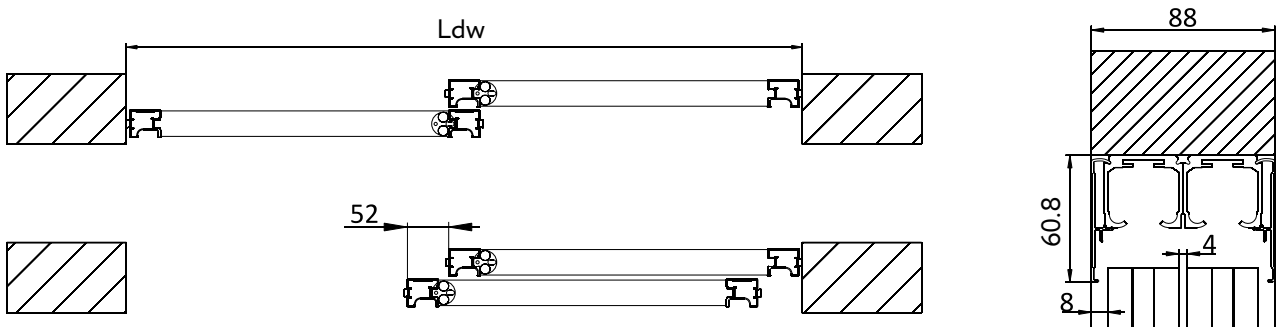
Top track /cover width =  $2 \times Ldw - 13$  mm (1 pc)  
 Cover width = 38 mm (2 pcs)

Two-doors wall-mounted



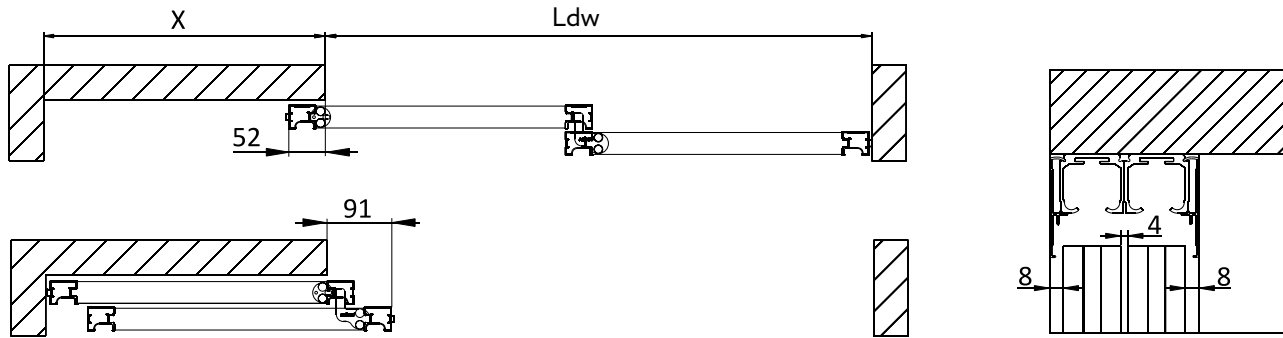
Top track /cover width =  $2 \times Ldw - 26$  mm (1 pc)  
 Cover width = 38 mm (2 pcs)

Two-doors in the doorway



Top track /cover width =  $Ldw$

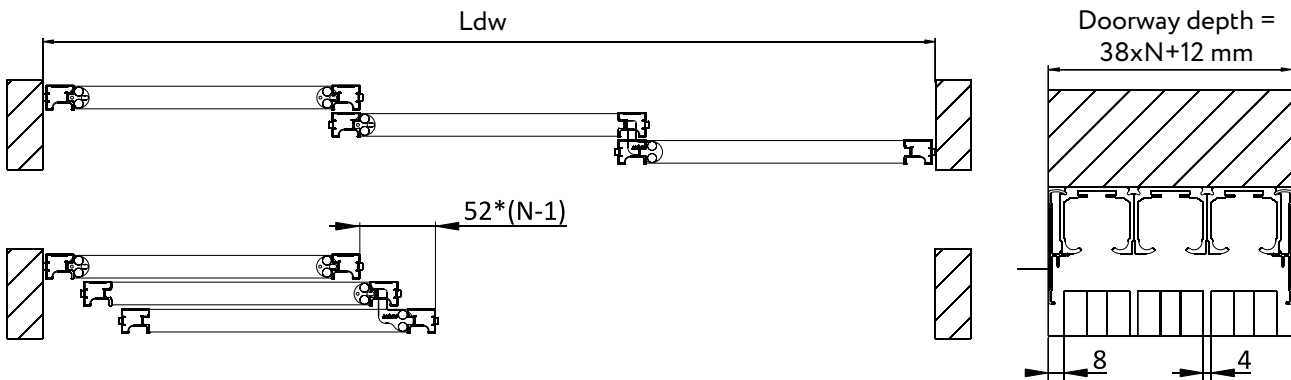
**Sequential opening (rollback behind the doorway)**



min X = Ldw - 30 mm  
 Top track /cover width = Ldw + X

There is shown the installation of two doors. The number of doors for this installation option is not limited.

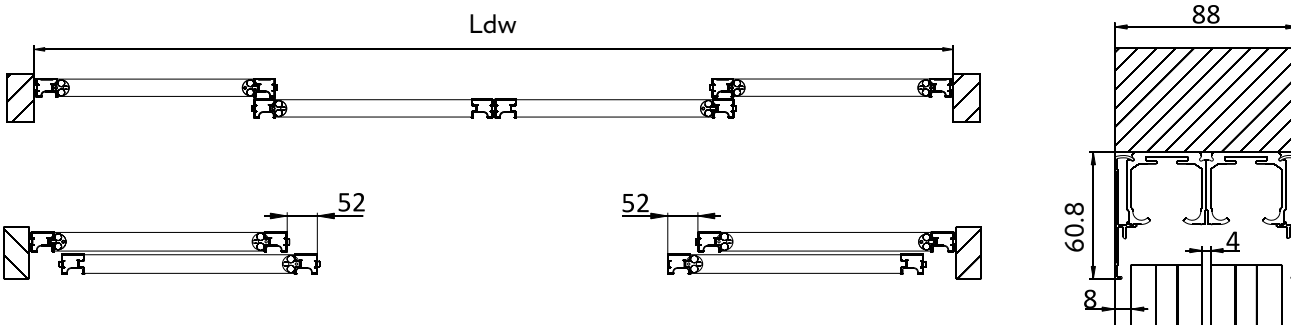
**Sequential opening (doors in the doorway)**



Top track /cover width = Ldw

There is shown the installation of three doors, the last door is active. The number of doors for this installation option is not limited. The last door can be active or stationary.

**Four-doors in the doorway**

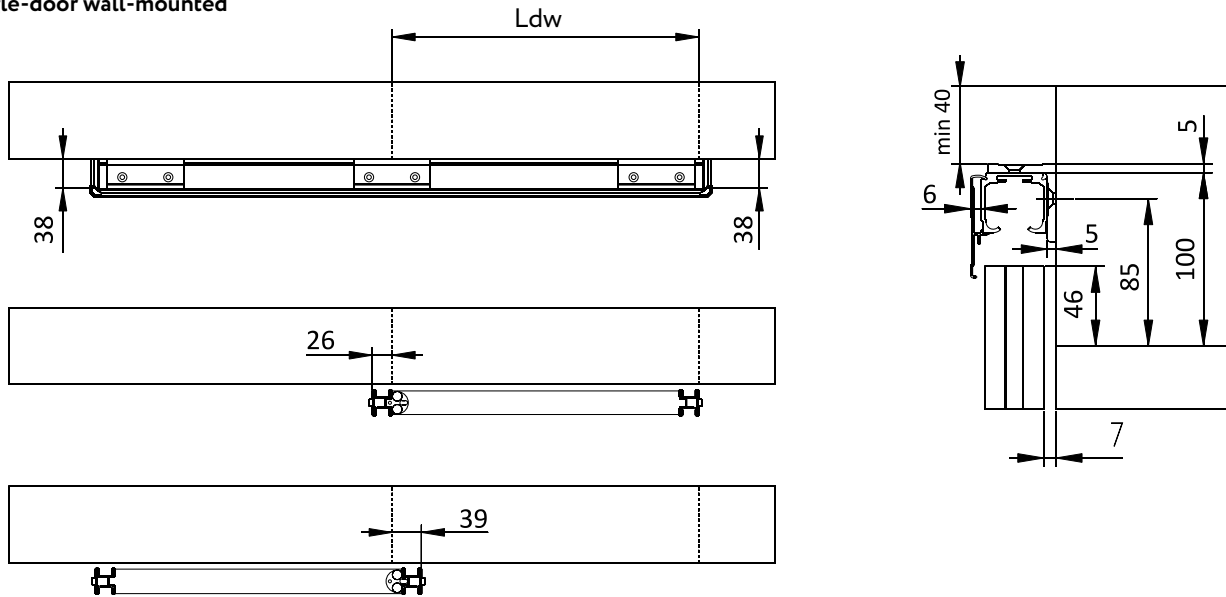


Top track /cover width = Ldw

There is shown the installation with two active doors and two stationary doors. The outer doors can be active or stationary.

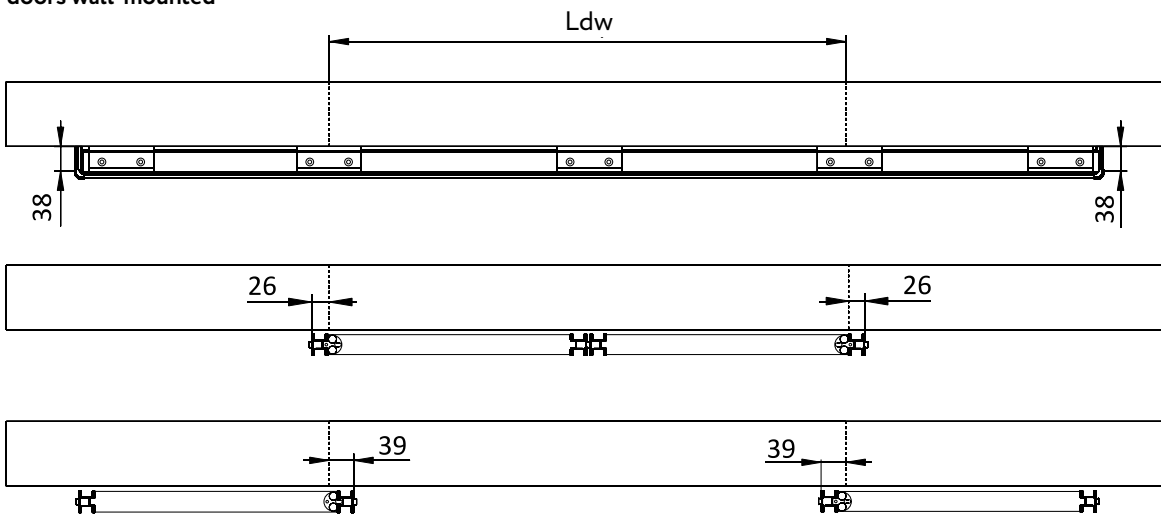


Single-door wall-mounted



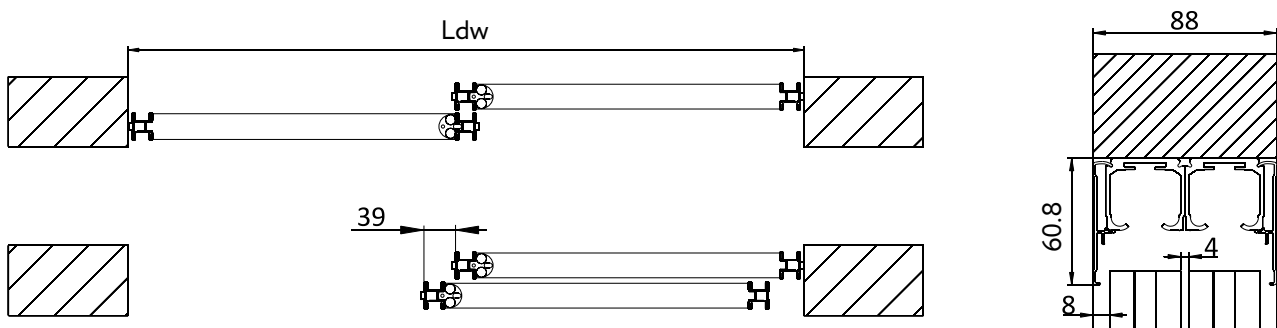
Top track /cover width =  $2 \times L_{dw} - 13$  mm (1 pc)  
 Cover width = 38 mm (2 pcs)

Two-doors wall-mounted



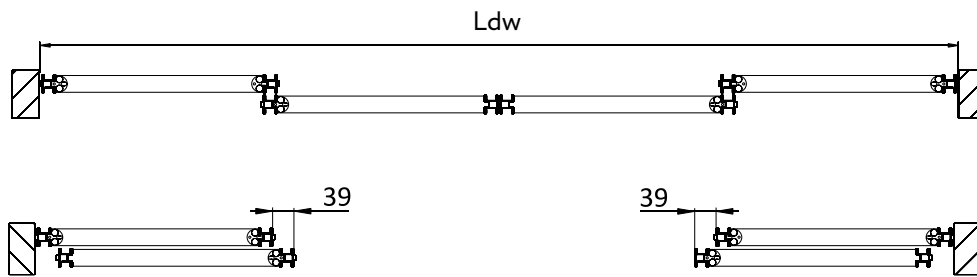
Top track /cover width =  $2 \times L_{dw} - 26$  mm (1 pc)  
 Cover width = 38 mm (2 pcs)

Two-doors in the doorway



Top track /cover width =  $L_{dw}$

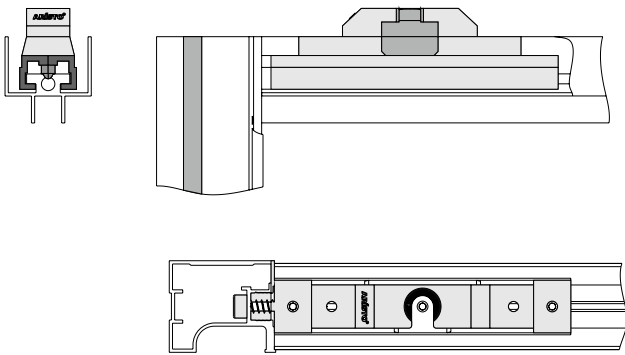
Four-doors in the doorway



Top track /cover width = Ldw

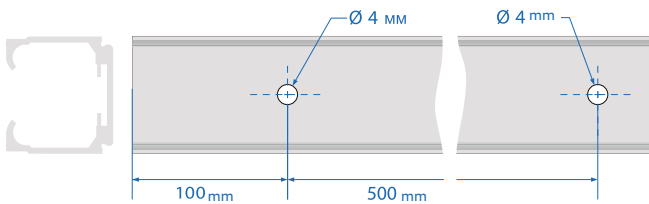
There is shown the installation with two active doors and two stationary doors. The outer doors can be active or stationary.

- 1 Install the mounting clips for the top rollers inside the top rail.
- 2 Attach the top rail to the panel.
- 3 Attach the bottom rail to the panel.
- 4 Mark hole locations on the stile Fusion. Drill the holes according to the marked locations if you use a dividing rail. The diameters of the holes are the same as the ones for mounting the top and bottom rails. Attach the dividing rail to the panel.
- 5 Attach the stiles Fusion to the panel. Use a rubber mallet to attach the profiles to the panel. After all the profiles have been attached to the door, they have to be fixed with assembly screws through the prepared mounting holes. The force (torque) should not exceed 3,5 Nm. After finishing the door assembly, install the clamp for the top roller on the top rail with screws as in the drawing below:

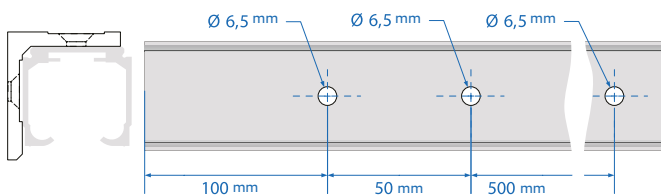


- 6 Mark hole locations in the top track as shown below. Drill holes in the marked locations. The distance between the holes must not exceed 500 mm.

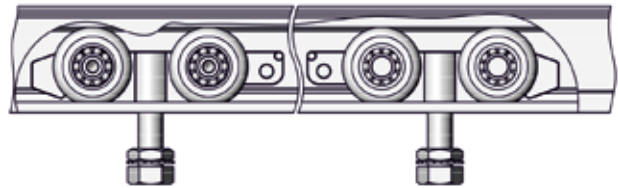
6.1. Installation in the doorway:



6.2. On-Wall installation with top track support:

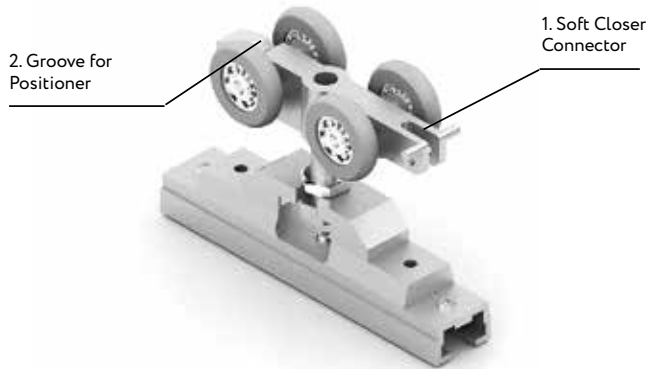


- 7 Mark hole locations on the wall or ceiling for installing the top track. Drill holes in the marked locations. For on-wall installation install the top track support first as shown in the picture above.
- 8 Insert the top rollers into the top track. Then install the top track. For the installation on the ceiling, rollers have to be pre-inserted into the track.

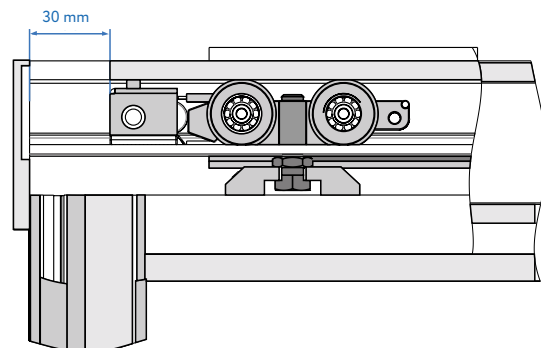


8.1. Installation of the Rollers using the top mount. Make sure that there is no dust or other particles inside the track and clean if necessary. Insert the rollers and ensure their correct alignment:

- 1) Connectors to the soft closers should be directed towards each other, pointing towards the inside of the door;
- 2) Slots for the positioners should point to the outside, to the edge of the door. Adjust and fix the rollers with the wrenches that go with the kit.



8.2. It is recommended to use two positioners for each partition – both for closed and open positions. Install the positioner with its wide support platform downwards, the plastic stopper elements must face the fixed roller.



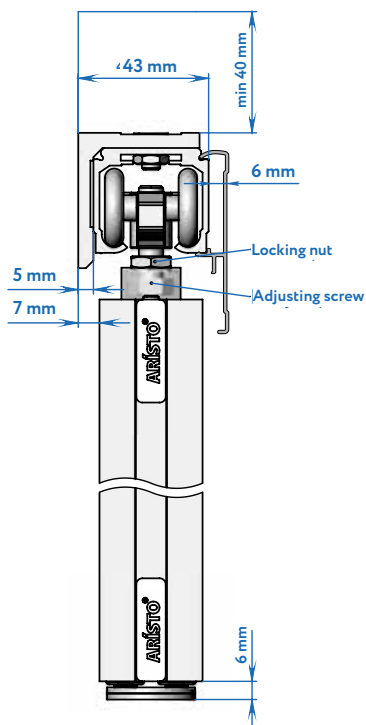
8.3. Install the top track. If necessary, install the top track end covers, as shown in the picture.

**IMPORTANT!** After the installation and adjustment of the partition, fix the stopper in the right location inside the top track with the spacer screw. The fixation force can be changed with the adjusting screw.

9 Install the door by hanging it onto the screws of the top rollers and fix it with a nut. The picture below shows an example of an on-wall door installation with a top track suspension.

10 For the door adjustment use an adjusting screw for the top roller. Keep in mind that the distance from the floor to the bottom edge of the door should be 6 mm.

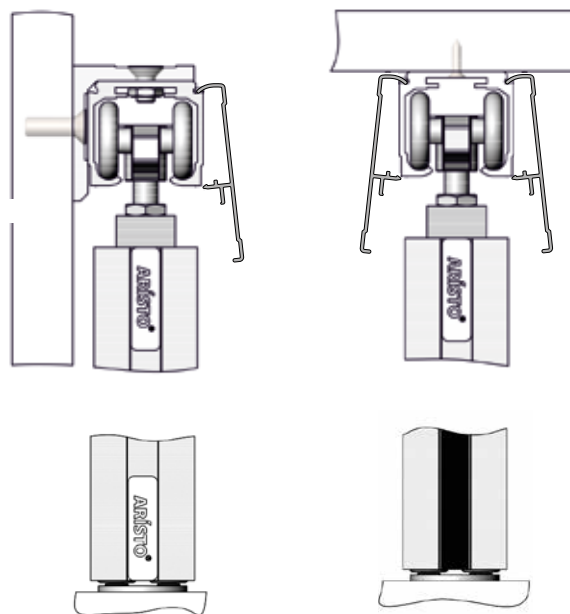
11 Mark a location on the floor for the bottom roller, as shown in the picture with examples of different system types and their installation. Install the adjustment plate below the bottom roller. Remove the door and fix the bottom roller to the adjustment plate. Adjust.



12 Install the door and adjust the height. Fix the door using a locking nut for the top roller in the correct position.

13 Cover the assembly holes with hole covers.

14 When the cover is being fixed you hear a typical click sound.

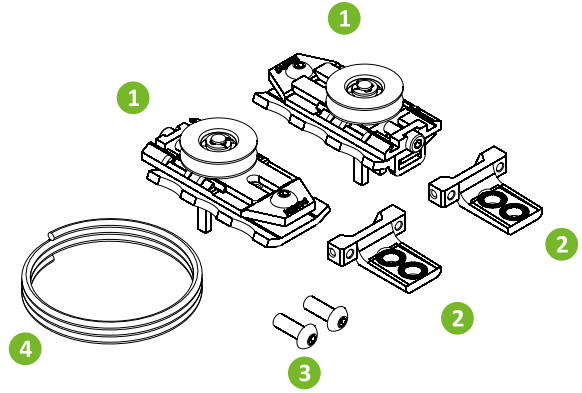


**It is not allowed to use as panels the plate materials prone to bending.**

Materials prone to bending: chipboard with a violation of production technology, any materials stored not on a flat surface or also transportable, MDF, materials with different back and front coatings, materials with adhesive coatings (glue warps the material), etc.

It is also important to take into account the operating conditions – temperature and humidity changes, high humidity, proximity of infrared radiation sources. A possible consequence of installing materials prone to bending is vertical or horizontal deformation of the door during operation.

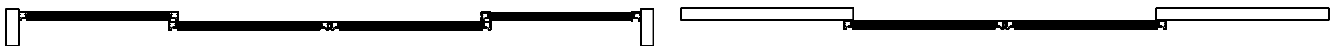
- 1. Stationary Roller for the Top Track
- 2. Fixator
- 3. Screws
- 4. Cable



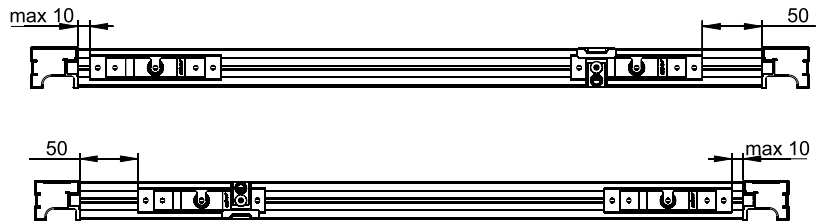
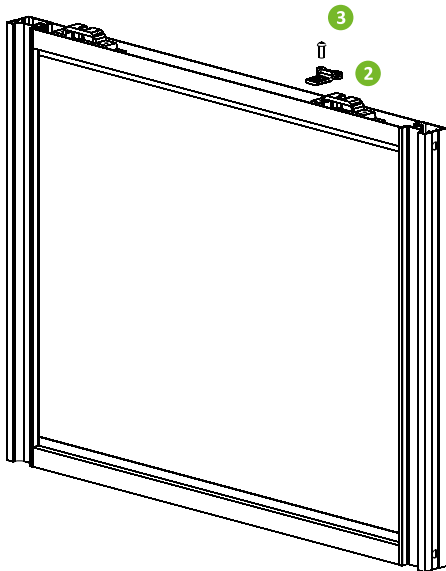
Installation Options

Two Doors - Together with Fixed Partitions

Two Doors, Overlapping Opening

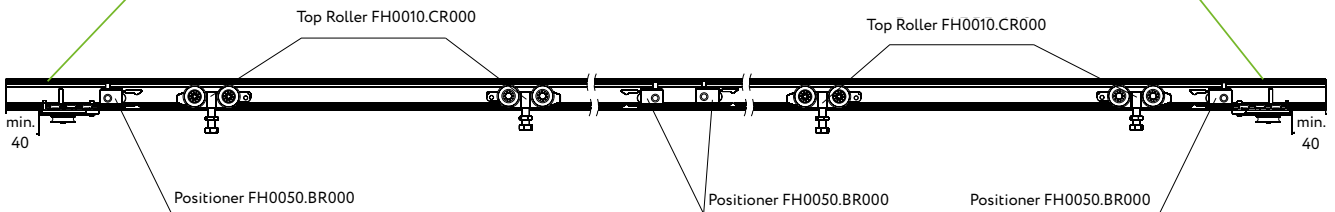
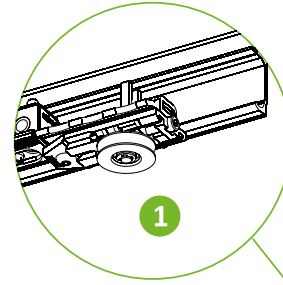
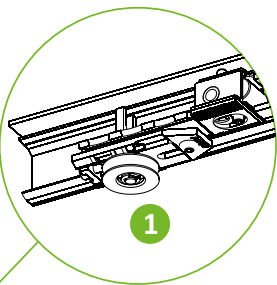


- 1 Install the Fixators on the Doors.

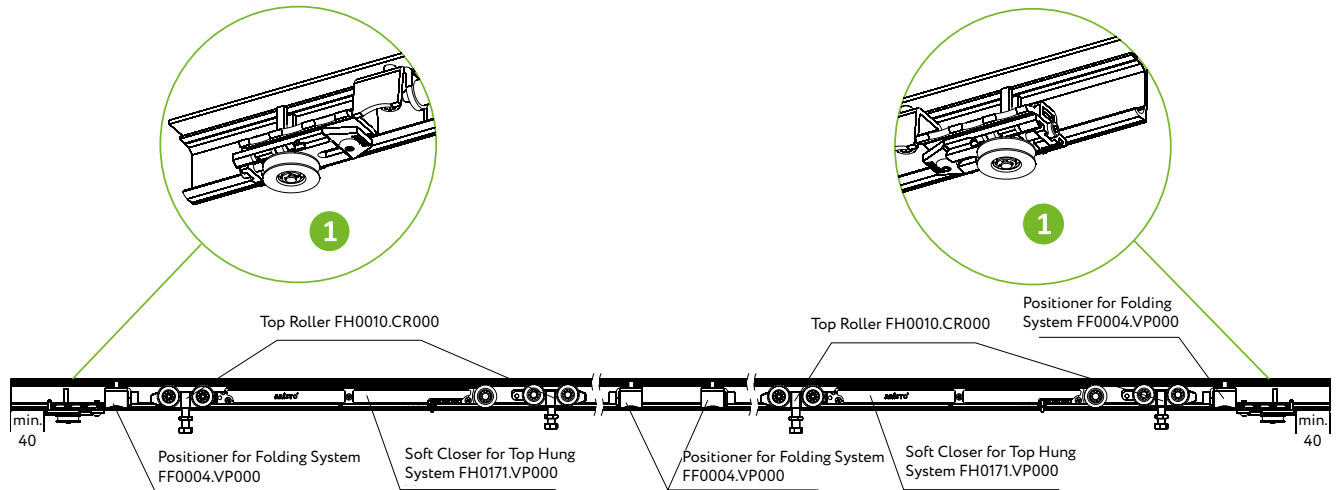


- 2 Insert the other fittings into the top track.

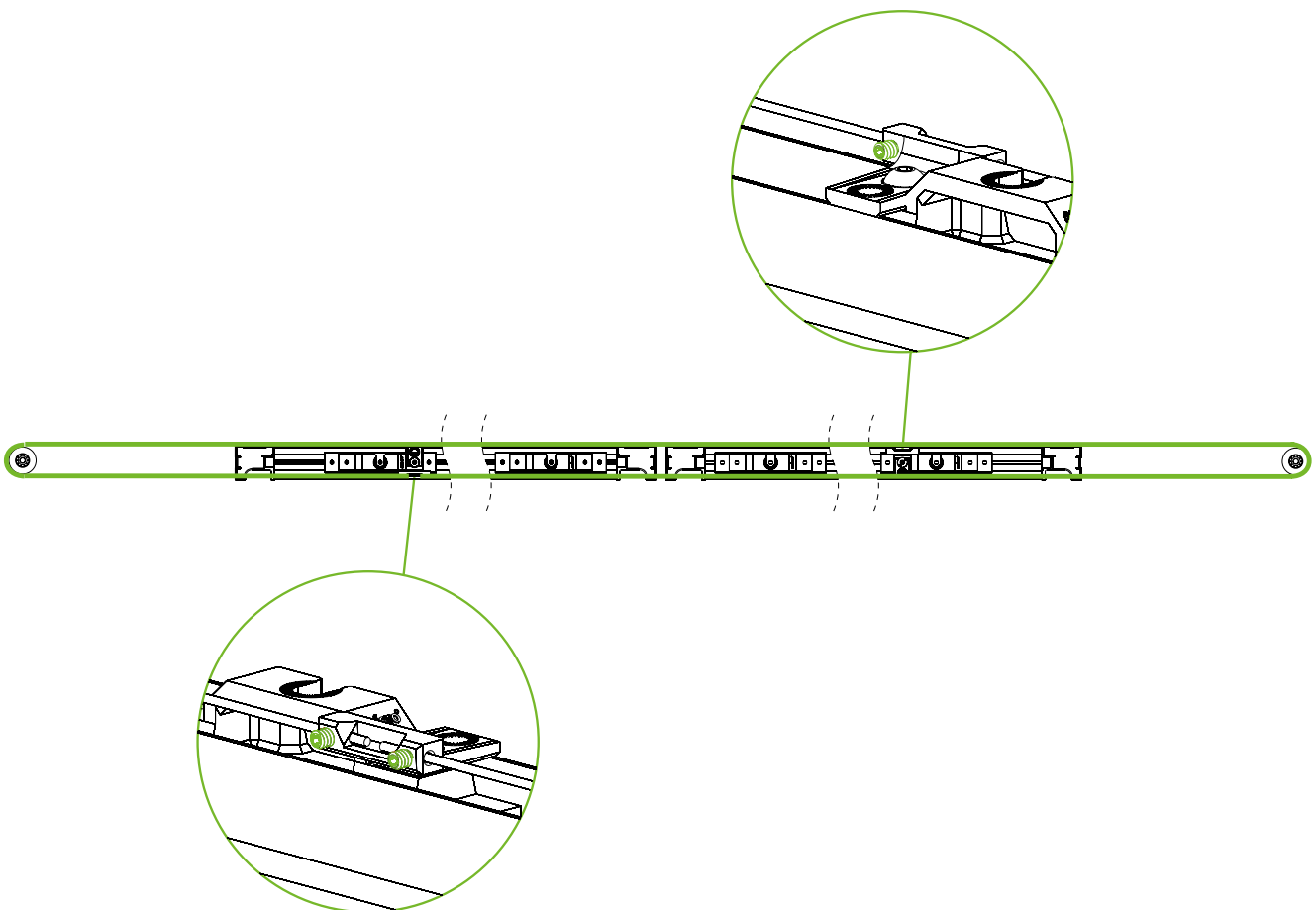
Doors Without Soft Closers



Doors With Soft Closers



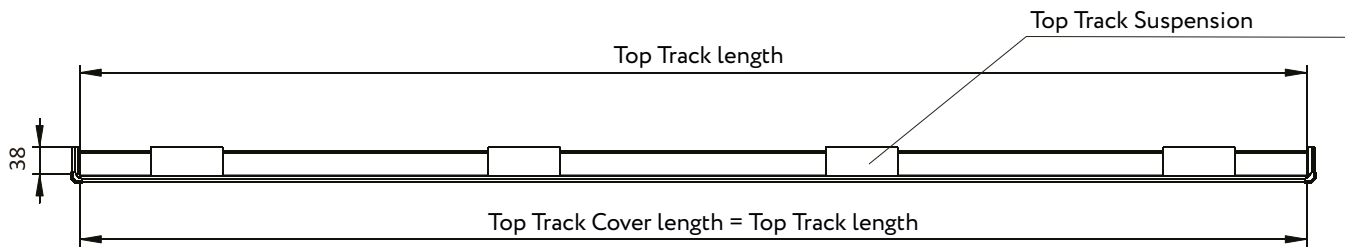
- 2 Insert the doors into the tracks and adjust them. Insert the cable and fix it by turning the hexagon bolts. Adjust the Soft Closers, the Positioners and install the Top Track Cover.



**Important:**  
The width of the door with a closer has to be at least 650 mm.

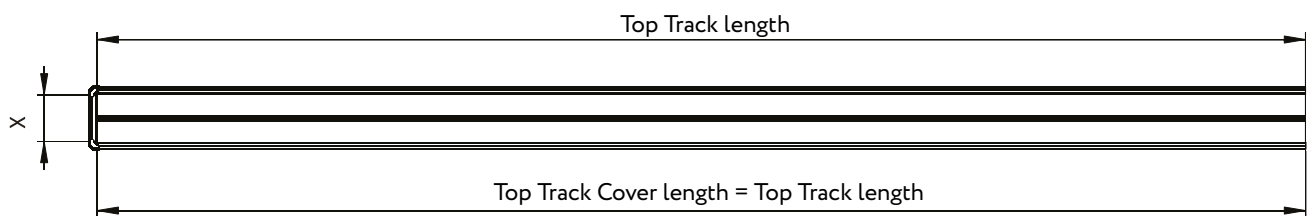
**Recommendation:**  
If the door is wider than 650 mm, install one soft closer to each door. Soft closer on the left door is for opening and the one on the right door is for closing.  
If the total weight of the doors exceeds 80 kg, install both soft closers for closing.

### Option 1. Wall-mounted Solution.



Length of the Top Track Cover (wing) = 38 mm

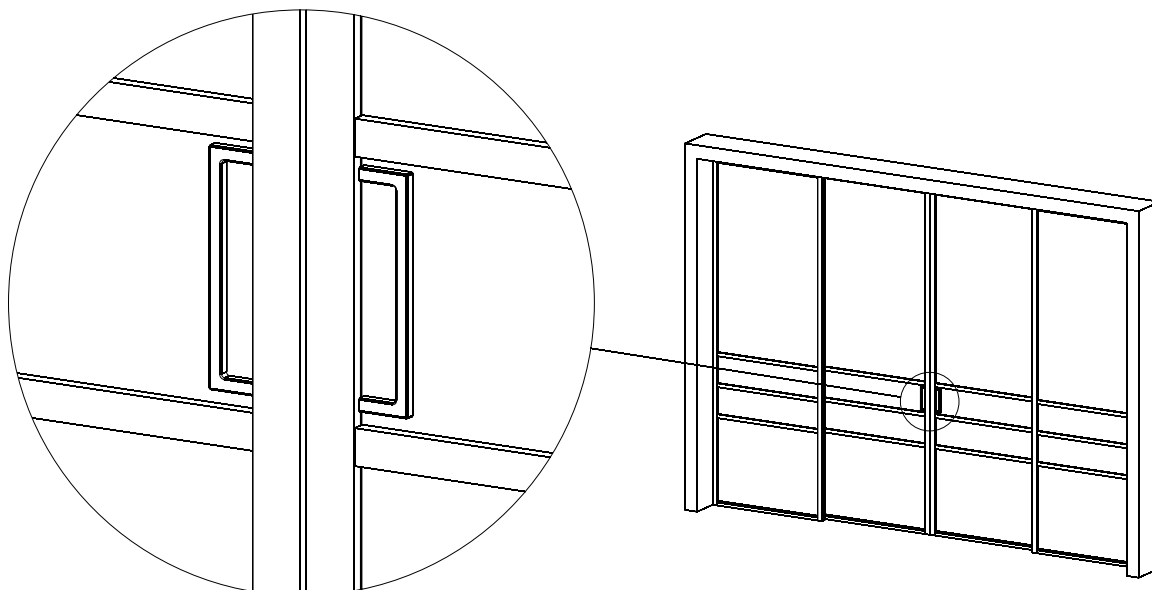
### Option 2. Ceiling-mounted Solution.



Length of the Top Track Cover (wing), «X» = 38 mm \* number of Top Tracks - 10 mm

### Installing the overhead handle

Remove the protective film from the adhesive layer on the back side and stick the handle on a clean, degreased surface.

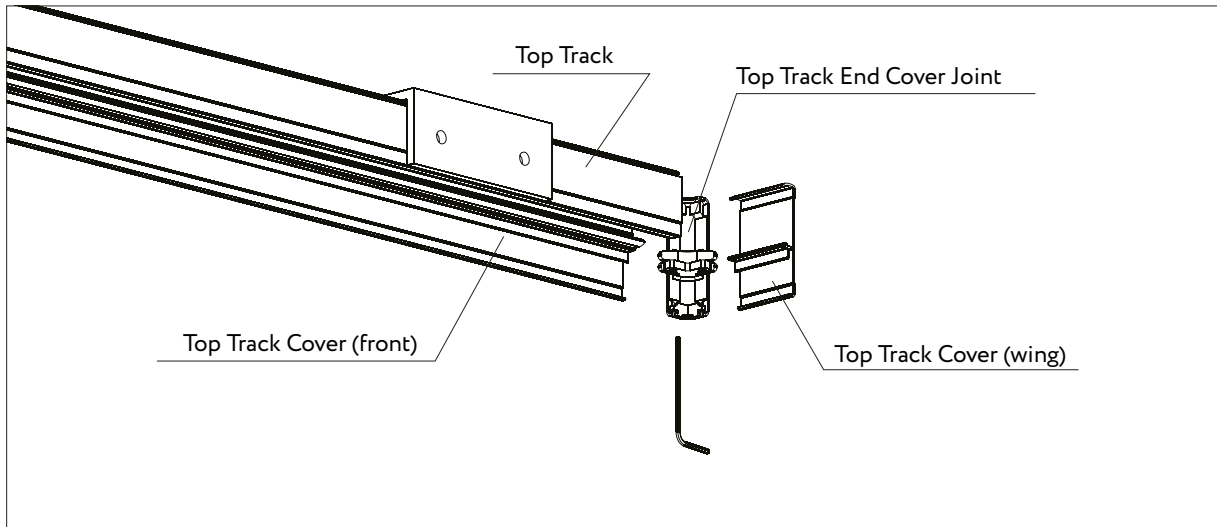


### Option 1. Wall-mounted Solution.

Clip the front Top Track Cover onto the Top Track

Fix the Corner Joint to the side Top Track Cover (wing): use an Allen Key

Attach the side assembly of Corner Joint and Top Track Cover (wing) to the Top Track Cover (front)

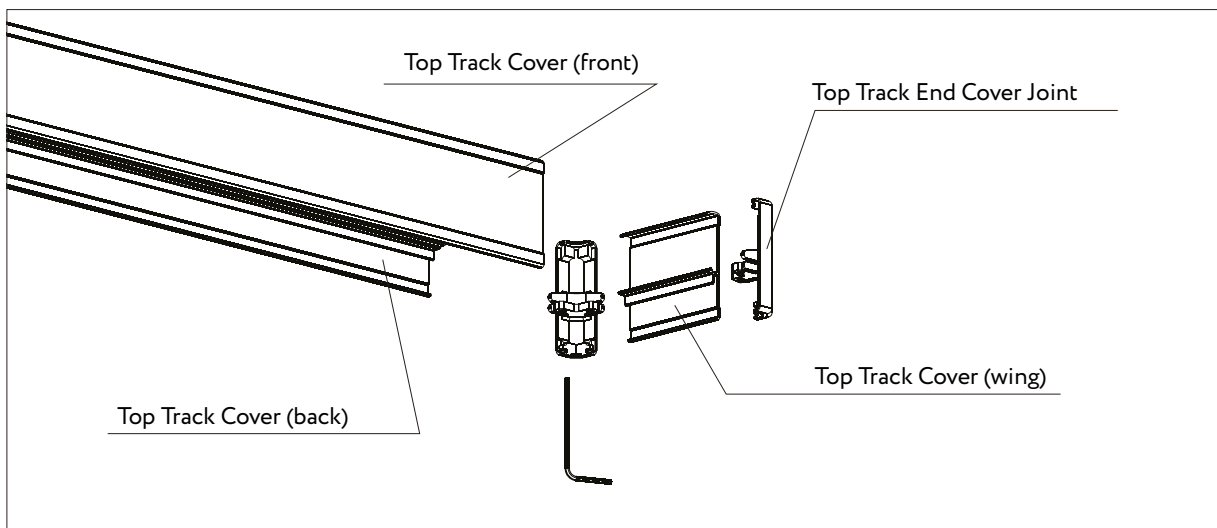


### Option 2. Ceiling-mounted Solution.

Clip Top Track Covers onto both front and back of the Top Track

Fix two Corner Joints with an Allen Key to the Top Track Cover (wing)

Attach the structure of the two Corner Joints and Top Track Cover (wing) to the Top Track Covers (front & back)





## Top Hung System. Soft Closer Installation

Soft Closer Set Includes:  
 Soft Closer FH0171.VP000- 1 pc.  
 Actuator - 1 pc.  
 Pin - 1 pc.

1 Mark the location for the actuator inside the top track: 265 mm from the edge of the door (Fig. 1). Install the actuator in the designated groove of the top rail.

**IMPORTANT!** The holes to fix the top rail must be drilled after marking the location of the actuator (in intervals of 300-400 mm). The marking for the actuator must be between the two holes.

Marking for the actuator

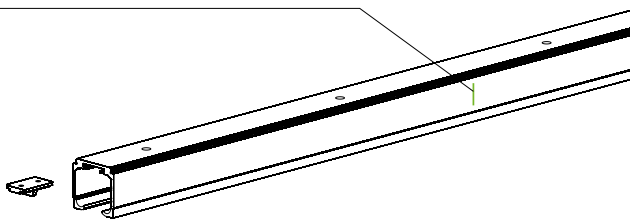


Fig. 1

2 Connect the Top Roller FH0010.CR000 to the Soft Closer FH0171.VP000 using the designated pin (Fig. 2).

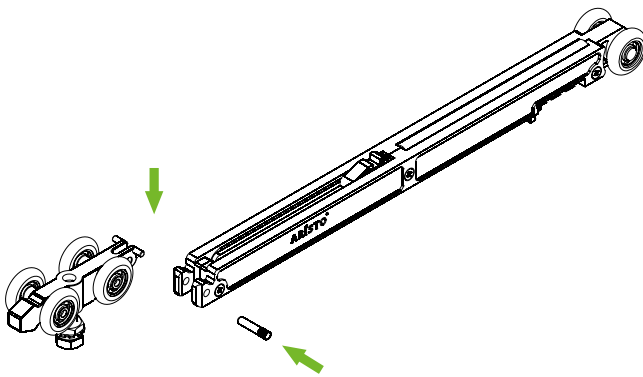


Fig. 2

3 Install the accessories inside the top rail (Fig. 3). After that, fix the rail on the wall or ceiling. Attach and adjust the door (see the door installation guide).

**IMPORTANT!** If the door closes to the left, then the soft closer is to be installed on the left side. If the door closes to the right side, then it is to be installed on the right side.

The Positioner for Top Hung System FH0050.BR000 that is located at the same side of the soft closer is fixed at a distance from the top roller, therefore it doesn't interfere with the operation of the soft closer.

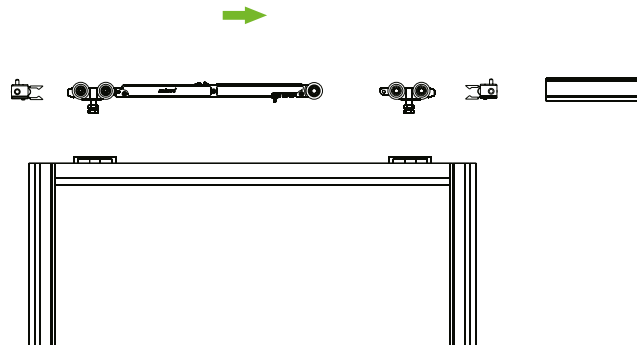


Fig. 3

4 Adjust the position of the actuator and secure it with an allen key. The speed of the soft closer can be changed by moving the spring retainer (Fig. 4).

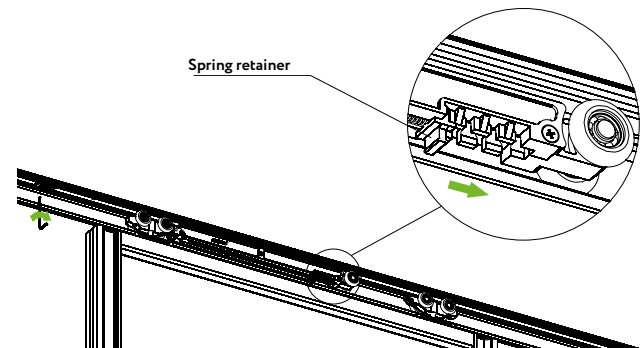


Fig. 4

### OPERATING RULES:

- Forced closing of the door and attempts to speed up the operation of the soft closer are forbidden.
- Don't close the door abruptly or push it strongly.
- Do not hold or slow down the door in the soft closing process because it reduces the lifespan of the mechanism.
- We strongly advise not to hang on the door or ride on it (watch your kids). This would increase the total weight of the door and the load on the soft closer significantly and will cause damage.



The minimal width of the door for installing one soft closer is 650 mm. The minimal width of the door for installing two soft closers is 900 mm. For installing the Top Hung System with the Synchronous Mechanism, when the total weight of doors is less than 80 kg, please use one soft closer for closing or opening. If the doors weigh more than 80 kg, use two soft closers.

- 1 Assemble the top hung partition.
- 2 Install the sequential mechanism on the bottom of the first door, on the door closure side.
- 3 Prepare the two top tracks.
- 4 Install both tracks on the ceiling without having any gap between them.
- 5 Install and adjust the first door.
- 6 Install and adjust the second door.

Fig. 1

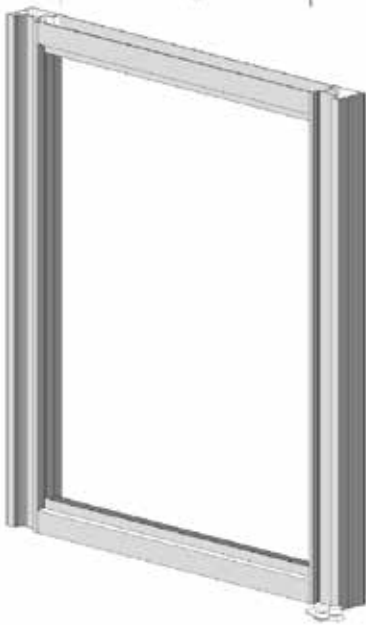
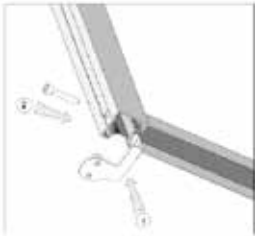


Fig. 2

Fig. 3

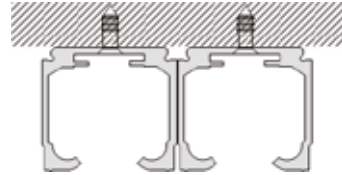
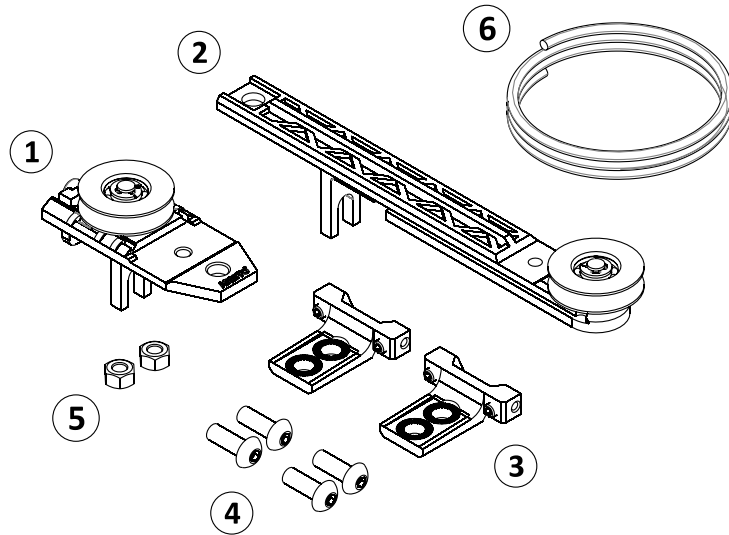


Fig. 4

**Sequential synchronous door kit (FH0023)**

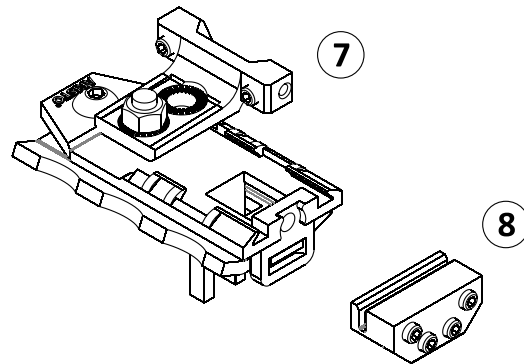
- 1. Side roller
- 2. Side roller extended
- 3. Retainer
- 4. Screws
- 5. Nuts
- 6. Cable



Loosen the adjustment screw on the side roller (1). In the future it will be used for the final tension of the cable.

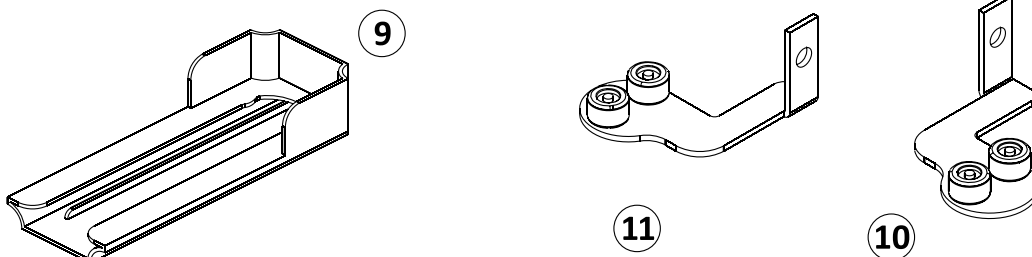
**Sequential synchronous door fixture kit (FH0024)**

- 7. Cable retainer with platform
- 8. Cable retainer on the pad

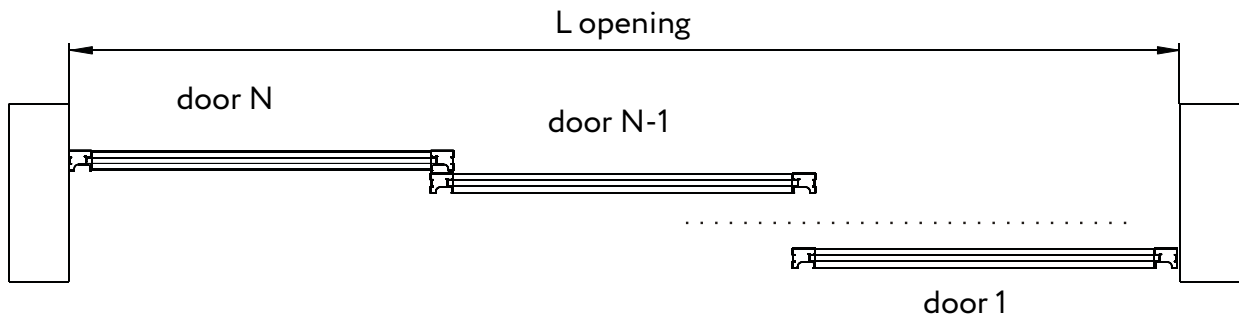


**Additional elements**

- 9. Plug for extended roller
- 10. Sequential mechanism, left
- 11. Sequential mechanism, right



Installation in the opening, the last door is static



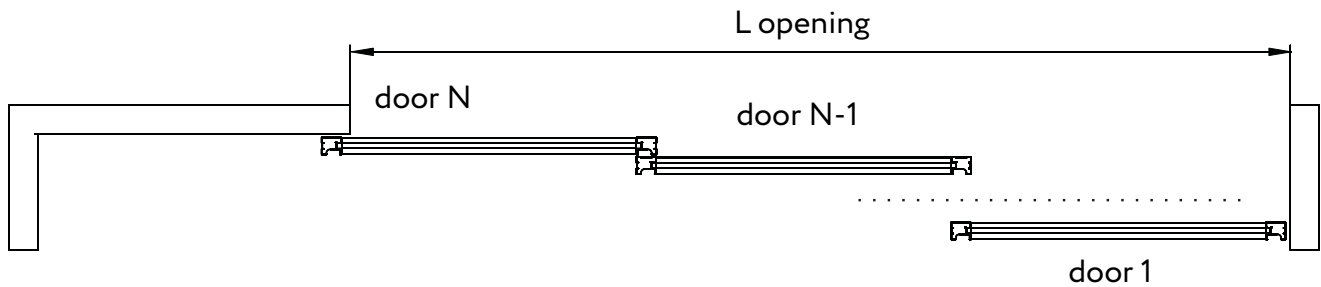
Calculation of the quantity of fittings:

- FH0023 - (N-2) sets
- FH0024 - 1 set
- FH0014 - (N-2) pieces
- FH0060 - (N-2) set

$$L \text{ door} = (L \text{ opening} + 39 \times (N-1) - 5) / N$$

$$H \text{ door} = H \text{ opening} - 60$$

Installation in front of the opening, all doors are active



Calculation of the quantity of fittings:

- FH0023 - (N-1) sets
- FH0024 - 1 set
- FH0014 - (N-1) pieces
- FH0060 - (N-1) set

$$L \text{ door} = (L \text{ opening} + 39 \times (N-1) + 47) / N$$

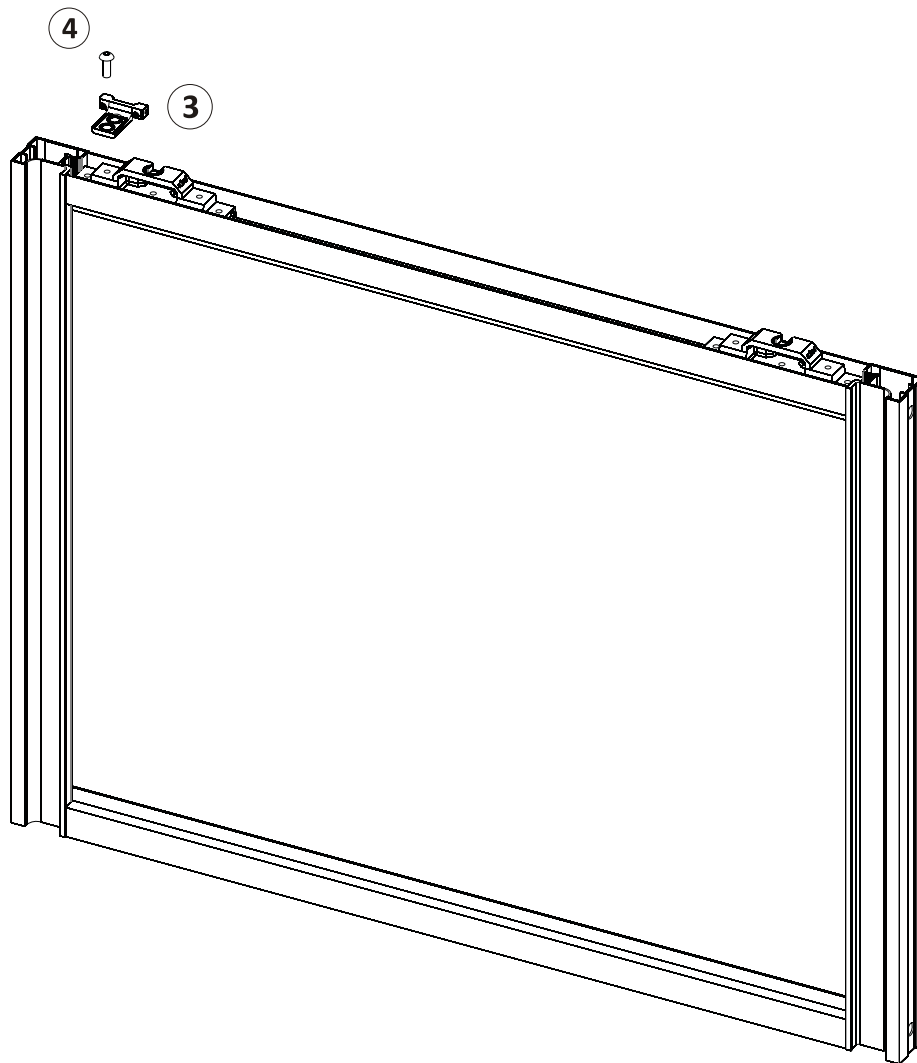
$$H \text{ door} = H \text{ opening} - 60$$

**Note:**

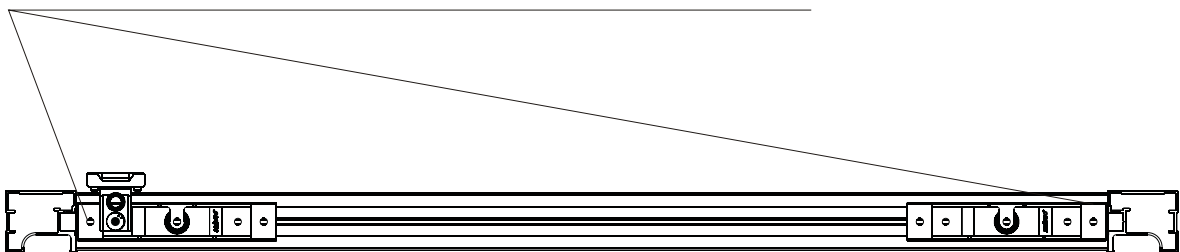
- the top view shows left opening
- N - number of doors

## Step 1.

Install the fittings on the outer door



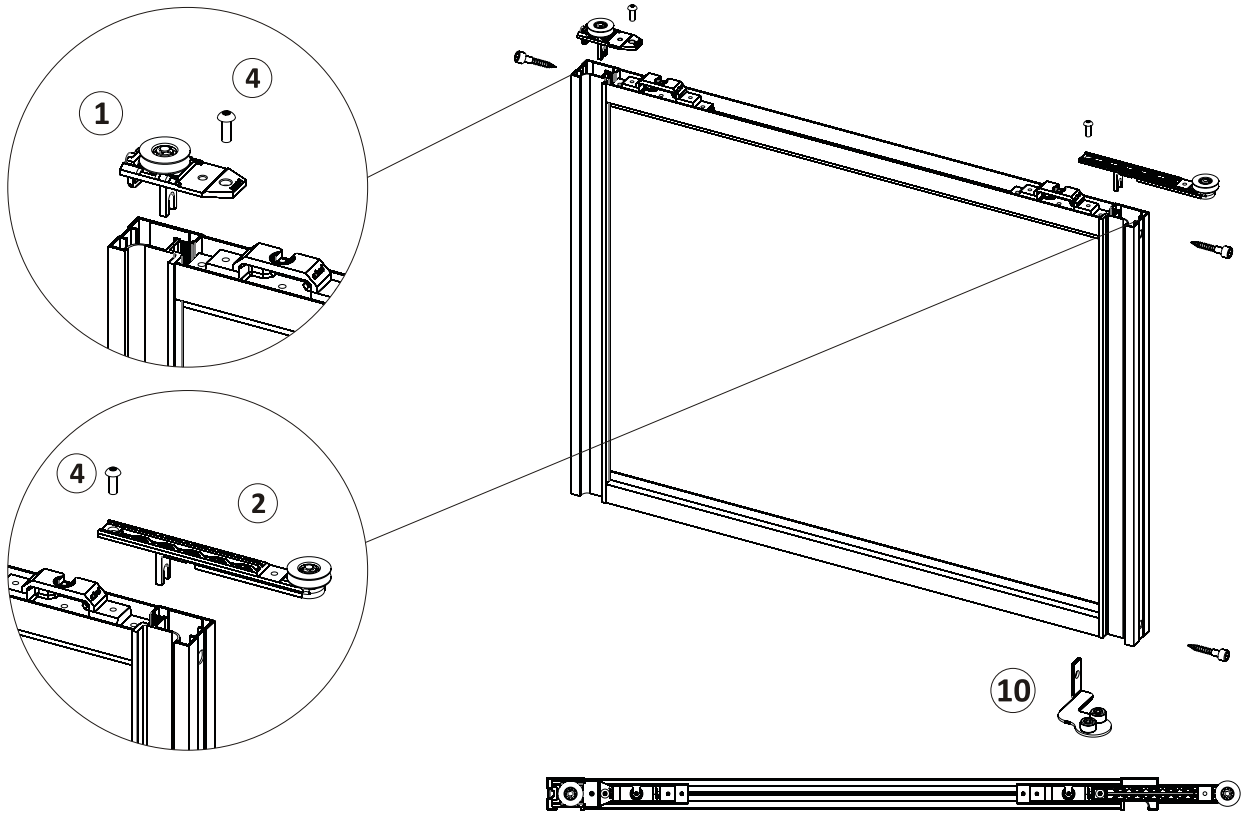
The upper roller inserts fit tightly to the vertical profile



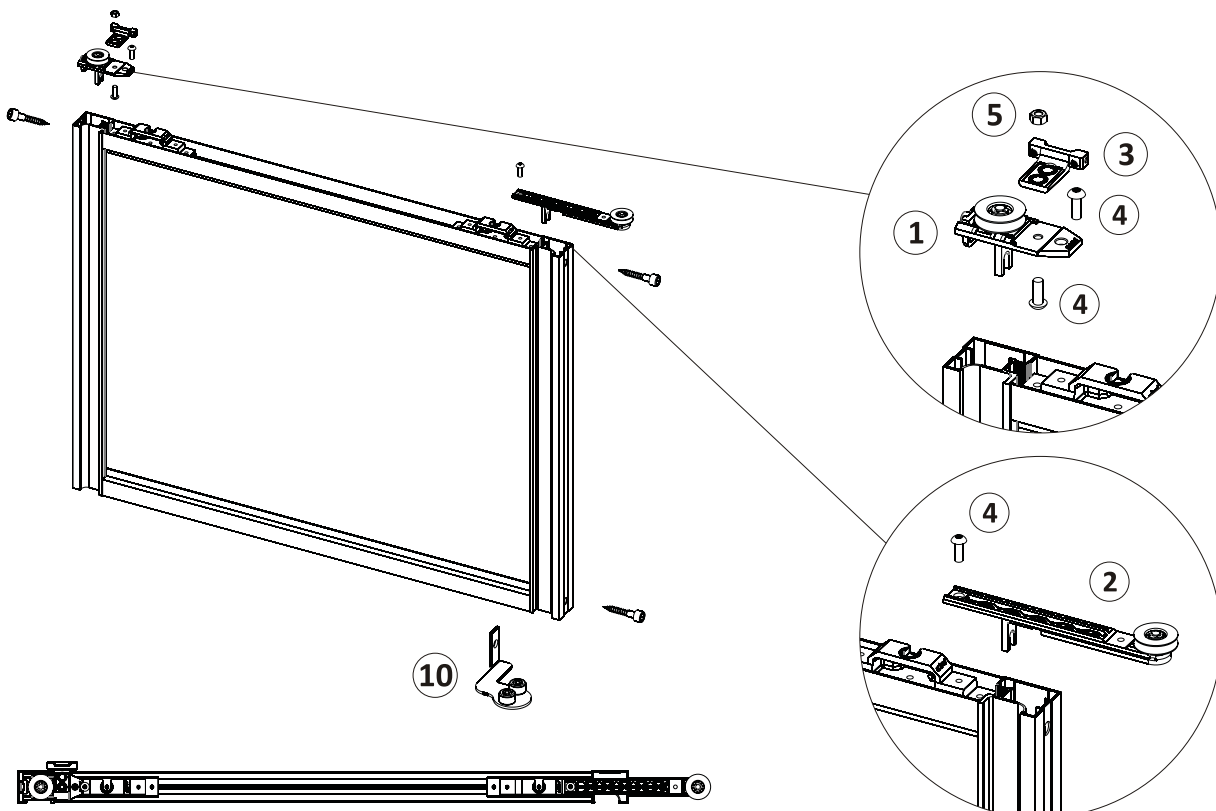
## Step 2.

Install fittings on internal doors

Second door (two active doors)



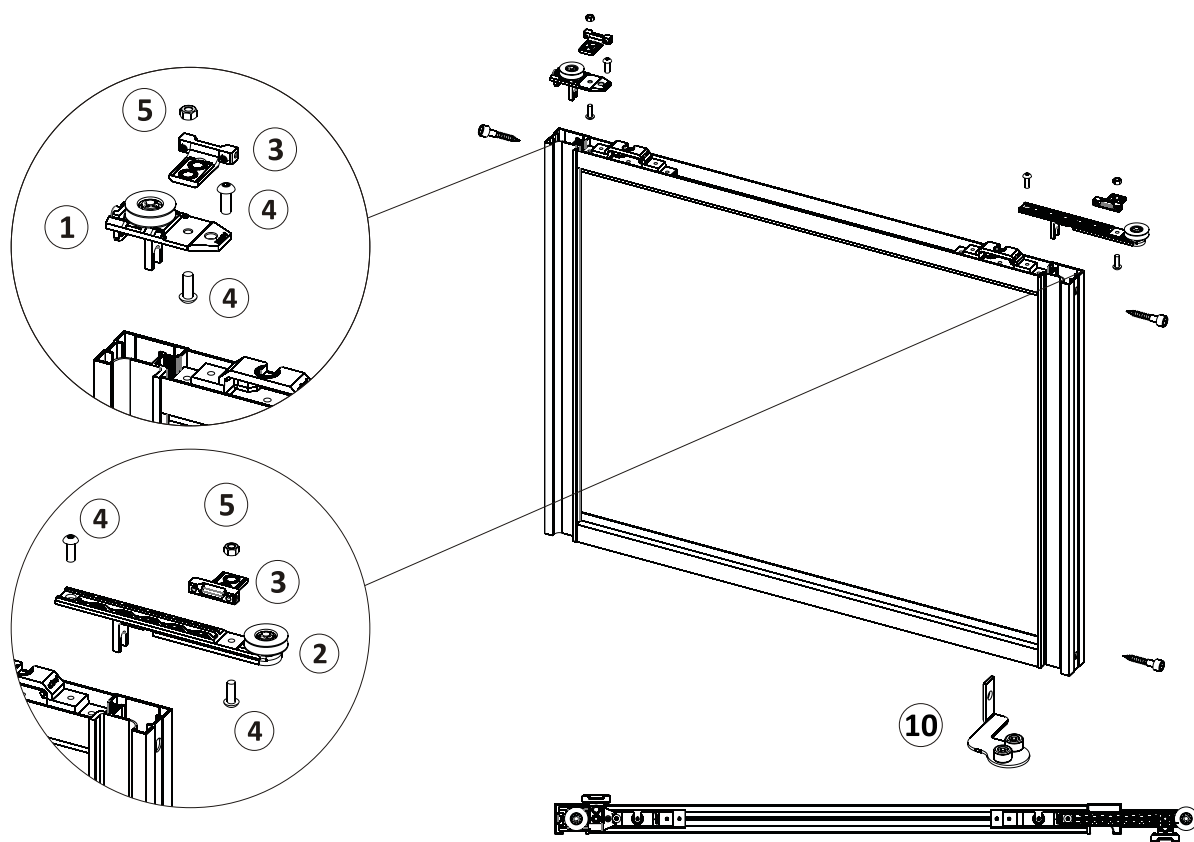
Second door (for three or more active doors)



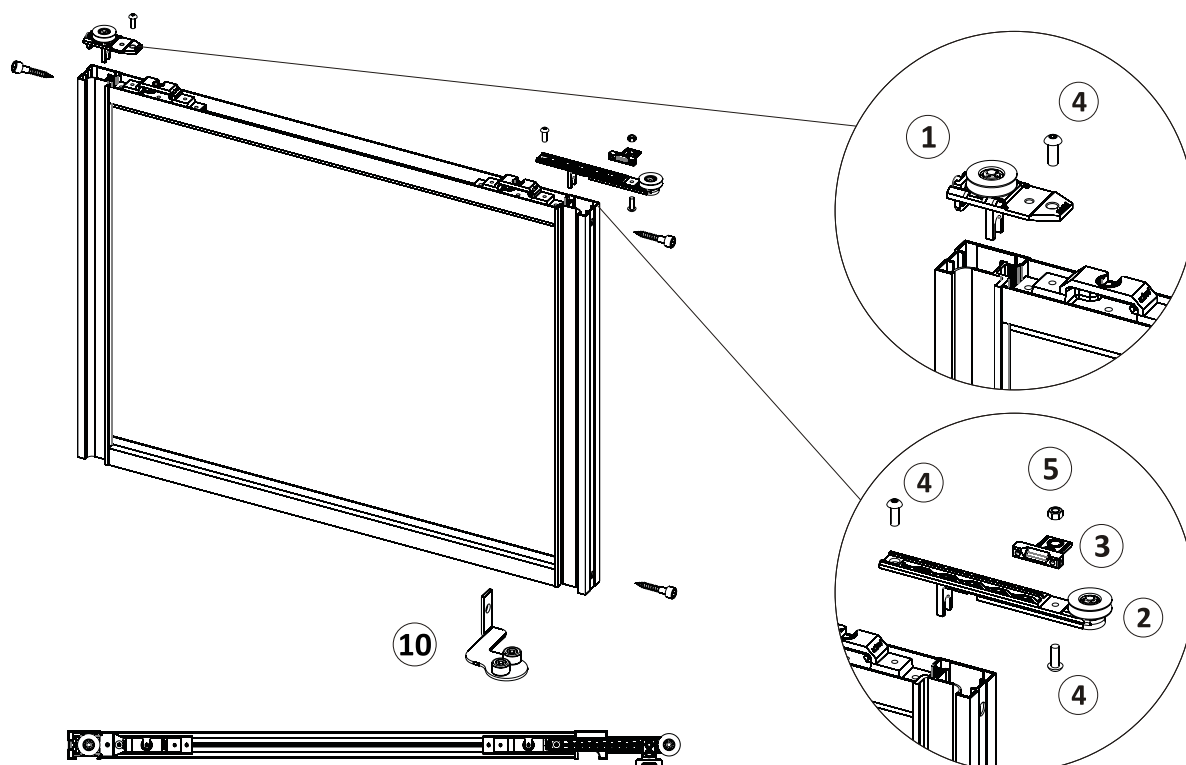
## Step 2.

Install fittings on internal doors

Third and subsequent doors to last (for four or more active doors)



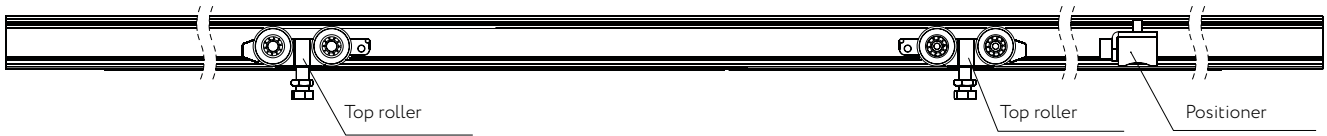
Last door (for three or more active doors)



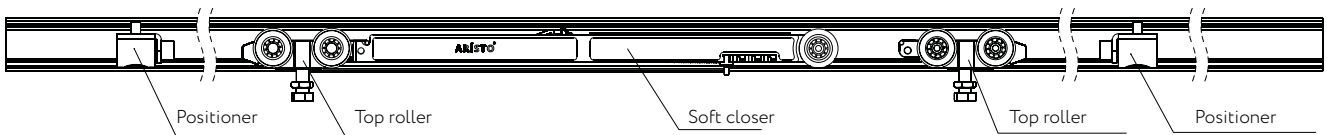
### Step 3.

Place the fittings into the tracks and fix them to the ceiling

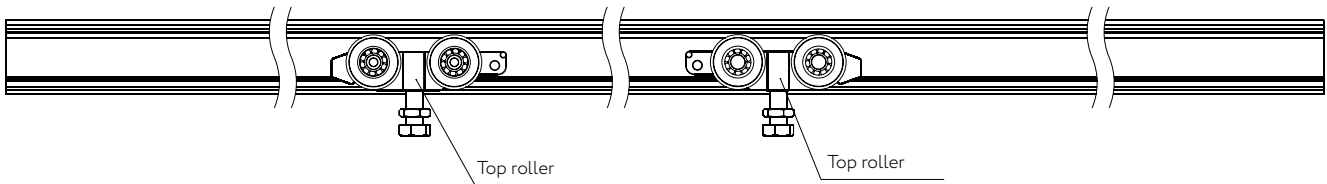
Last static door



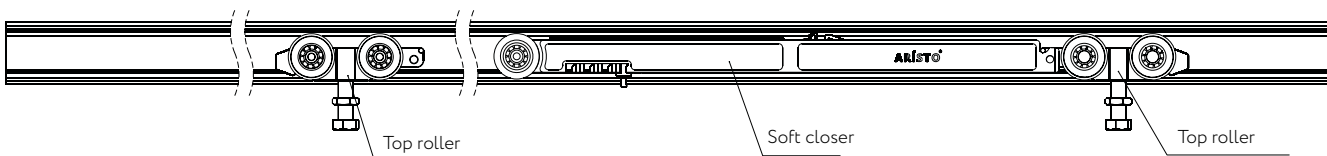
Last active door



Active middle doors



Front door



**Note:**

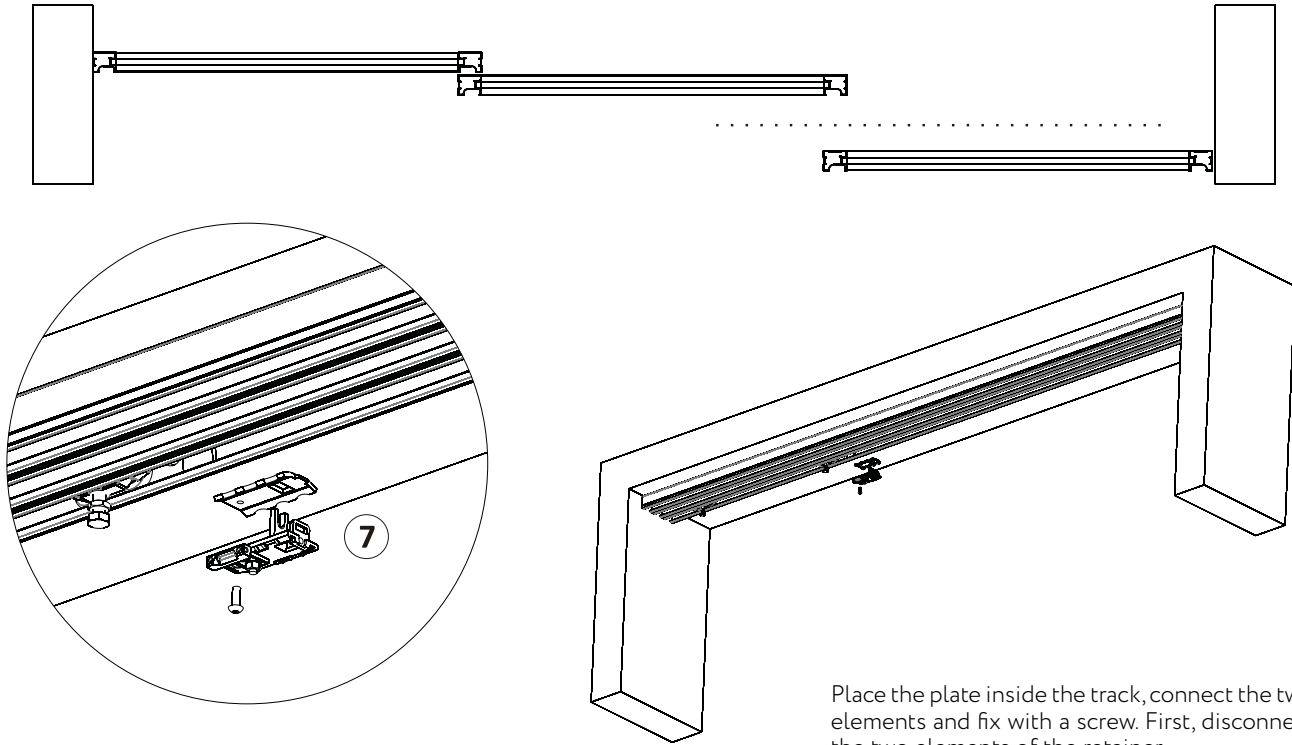
If the door width is less than 650 mm, then instead of soft closers it is necessary to insert the positioner for top hung system into the track to position the structure.



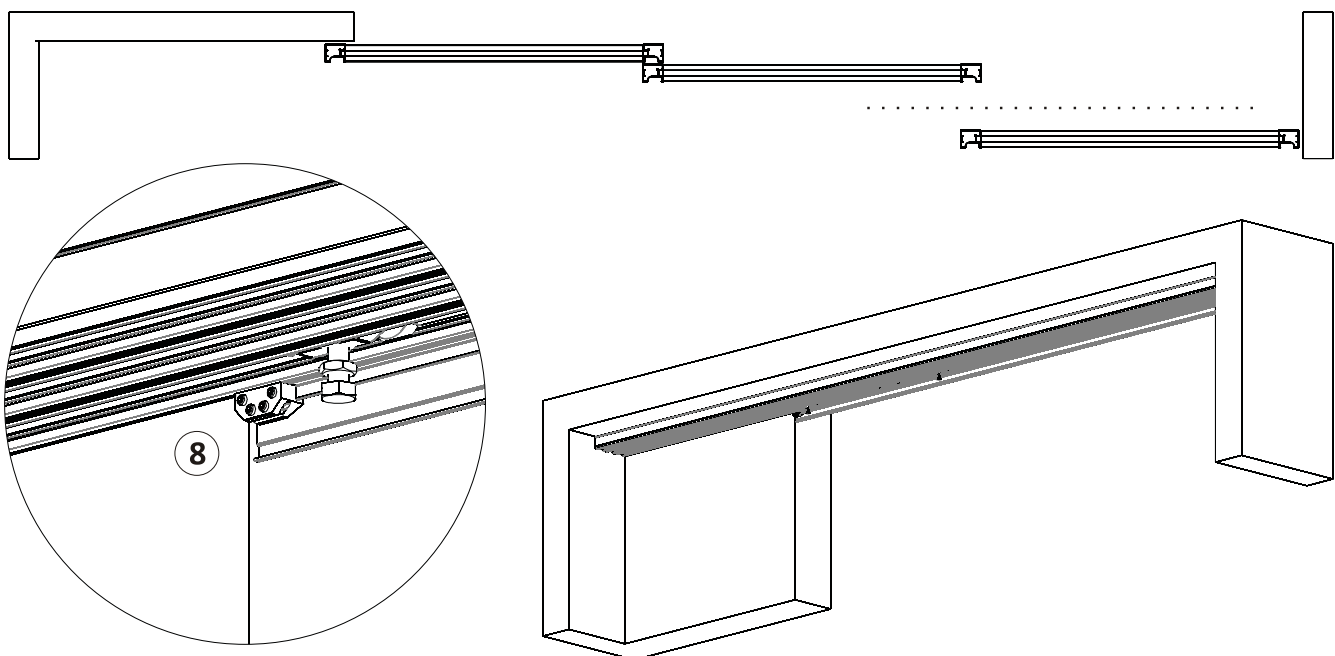
## Step 4.

Install the cable retainer.

Installation in the opening, the last door is static



Installation in front of the opening, all doors are active



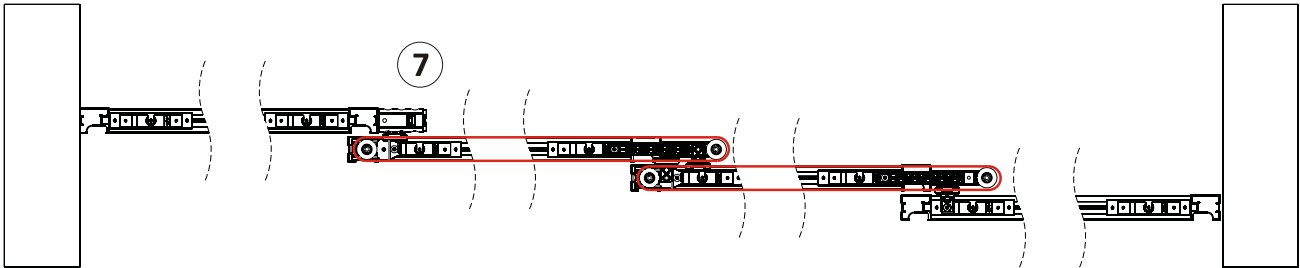
## Step 5.

Install and adjust doors.

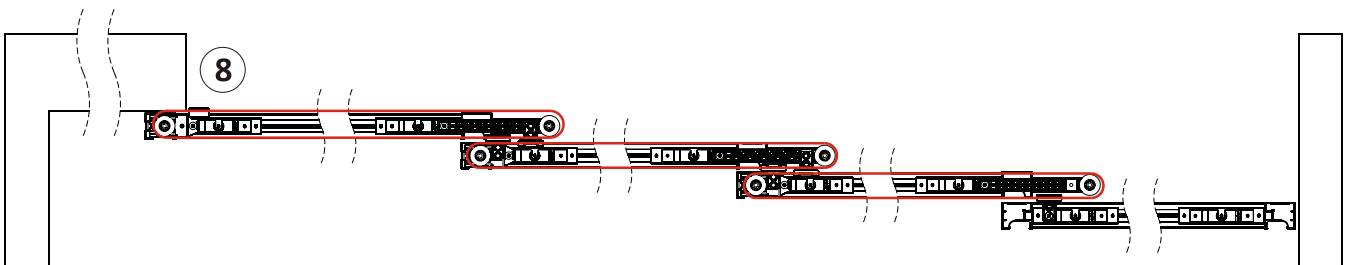
## Step 6.

Insert and fix the cable using hexagons. Make the final tension of the cable using the side roller adjustment screw (1). Adjust soft closers and positioners.

Installation in the opening, the last door is static

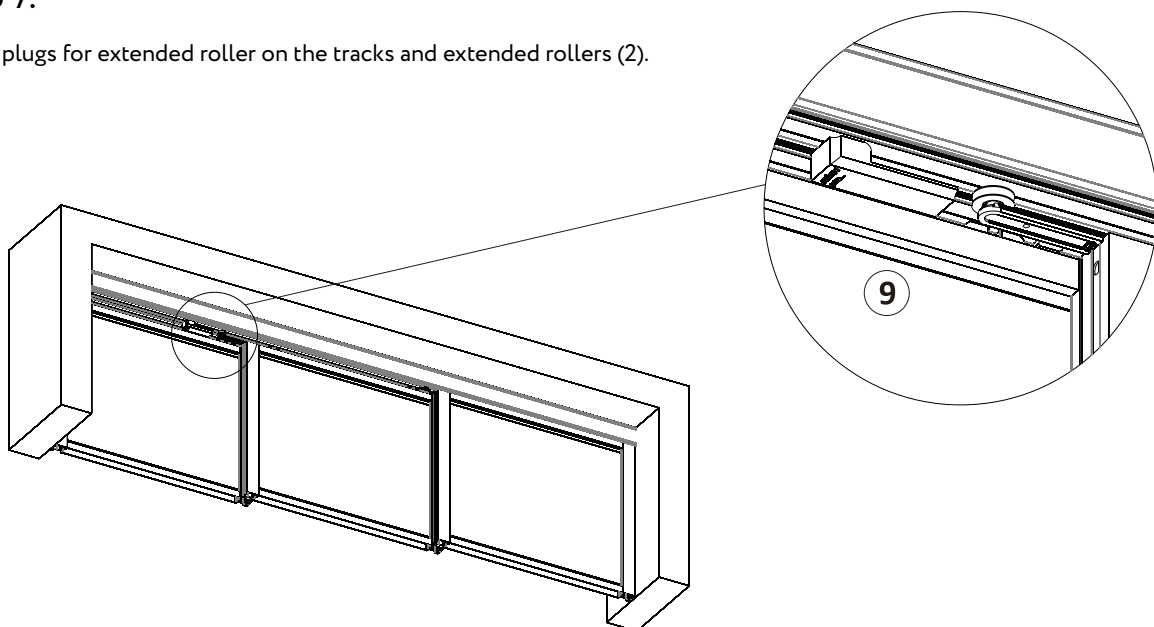


Installation in front of the opening, all doors are active

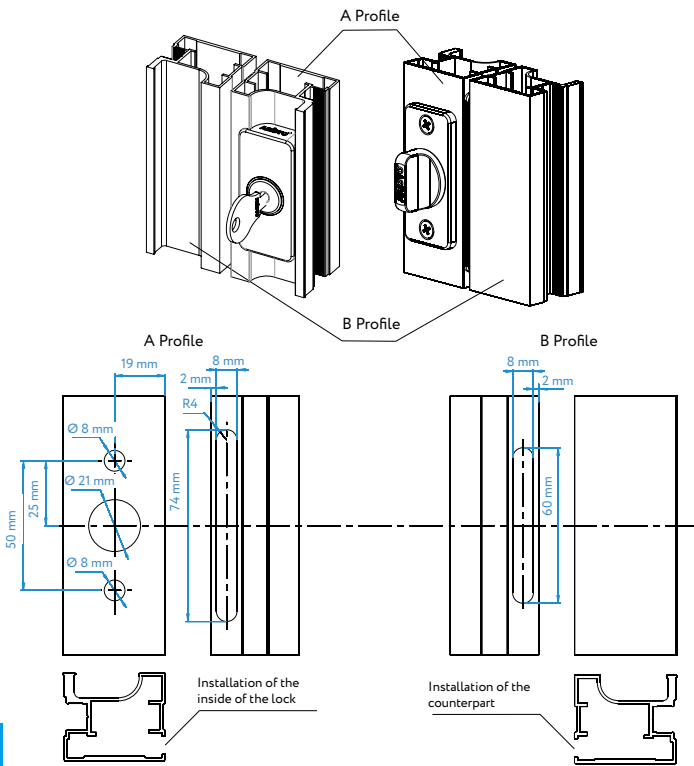


## Step 7.

Install plugs for extended roller on the tracks and extended rollers (2).



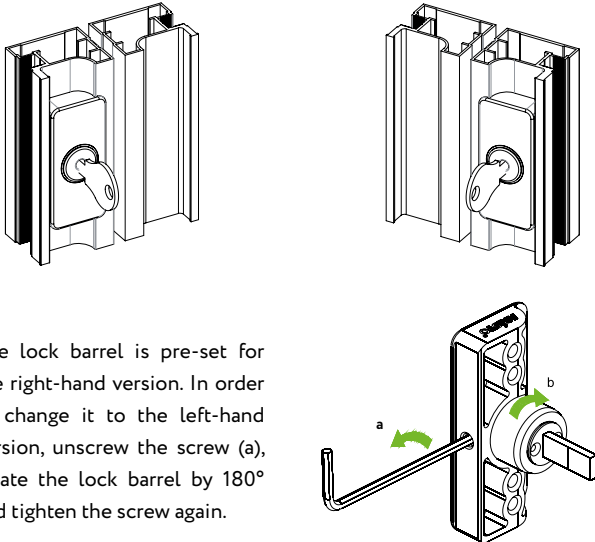
**1** Mark the lock locations on A and B profiles. Drill the holes.



**2** Prepare the lock barrel.

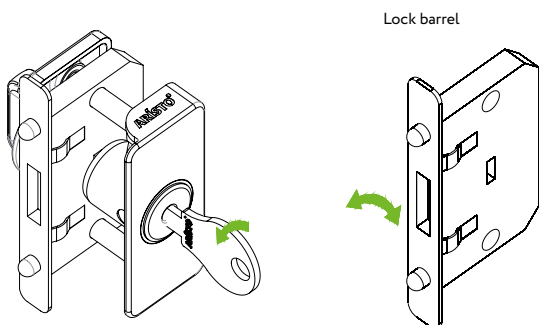
Left-hand version

Right-hand version

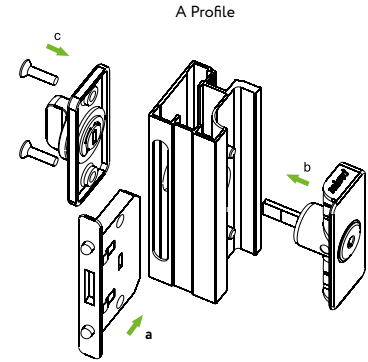


The lock barrel is pre-set for the right-hand version. In order to change it to the left-hand version, unscrew the screw (a), rotate the lock barrel by 180° and tighten the screw again.

**3** Prepare the lock as shown and try to rotate the key. If the key does not move, rotate the inner part of the lock by 180° and try again.

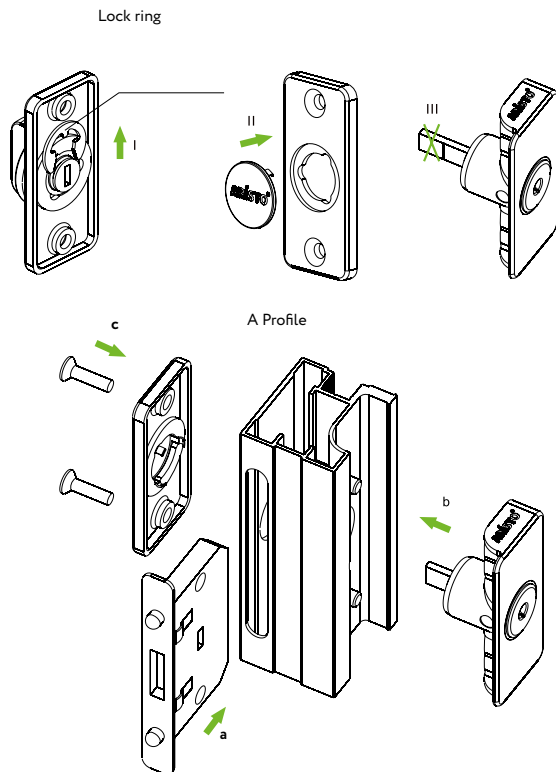


**4** Install the lock in A profile. Firstly insert the middle part into the profile (a), then the front part (b) and finally the rear panel (c). Screw tightly.



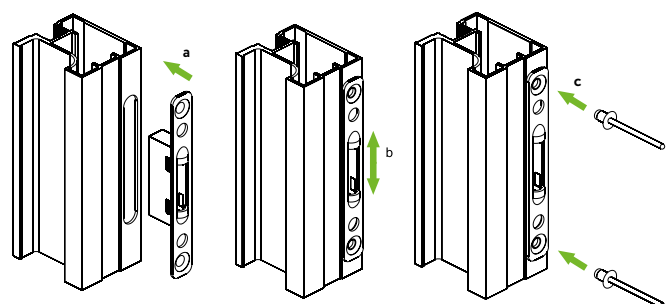
**4.1.**

Installation of the lock without a thumb turn unit on the back side: Firstly remove the lock ring (I), then remove the thumb turn unit from the back panel. Exchange with the Aristo branded cover (II). The spindle must be shortened by cutting it at the indicated mark (III). After this step, firstly insert the middle part into the profile (a), then the front part (b) and finally the back part (c). Screw tightly.

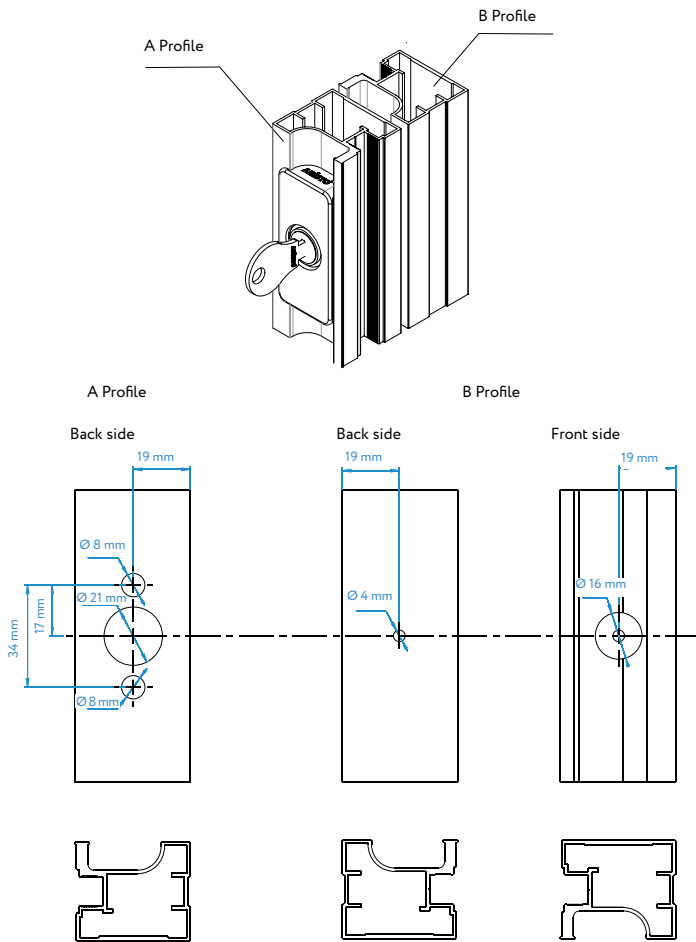


**5** Insert the counterpart of the lock into B profile (a). Place the doors in the doorway and adjust their height.

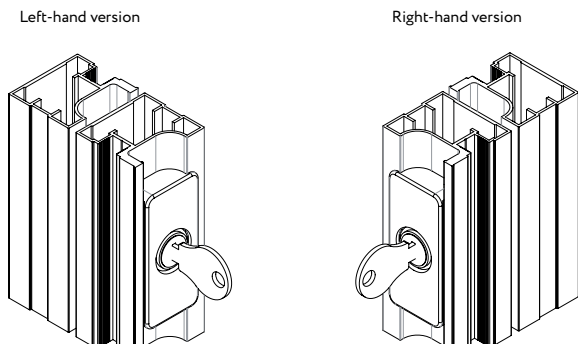
Check the operation of the lock. If necessary, change the height of the counterpart. After alignment, make holes in the profiles for the rivets (b). Fix the counterpart with the provided rivets (c).



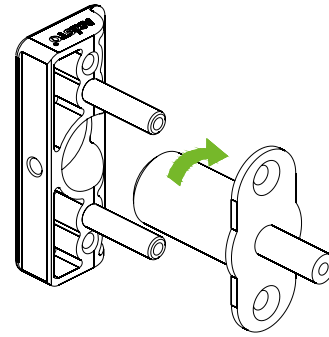
**1** Mark the lock locations on A and B profiles. Drill the holes.



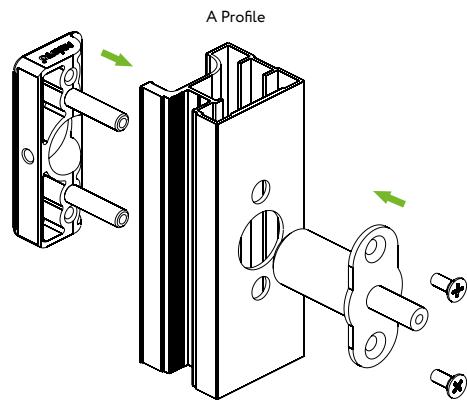
**2** Prepare the lock barrel.



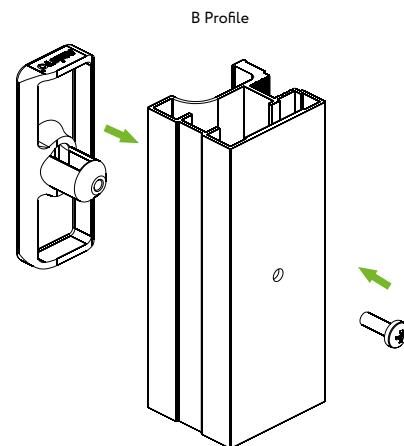
The key should be inserted into the lock as shown in the picture. Otherwise, rotate the barrel by 180°.

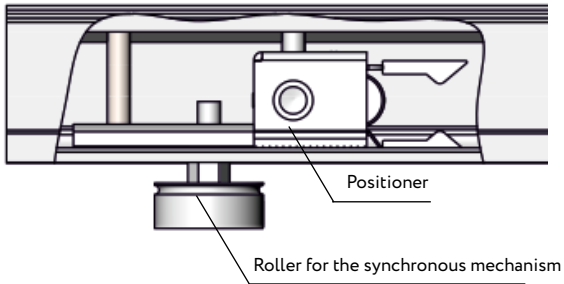
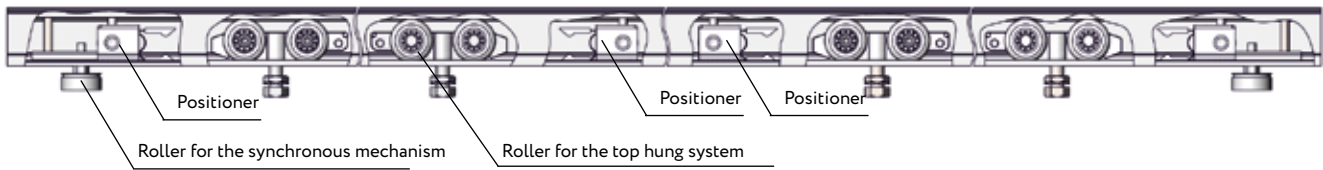
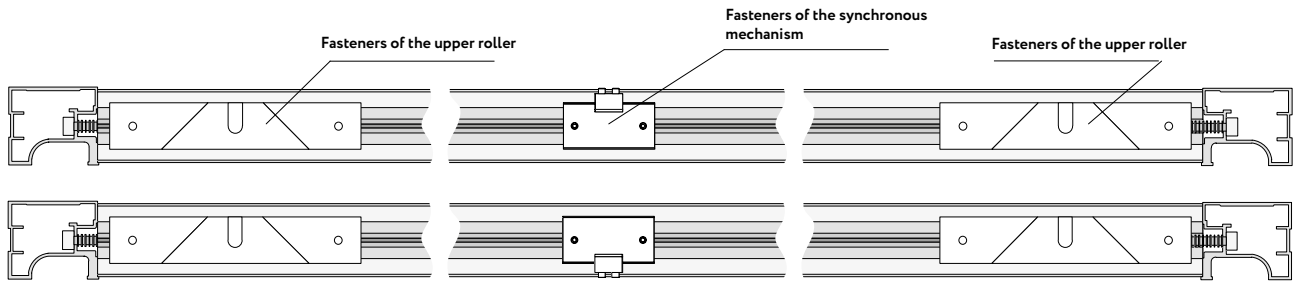


**3** Install the lock in A profile. Fix with screws.

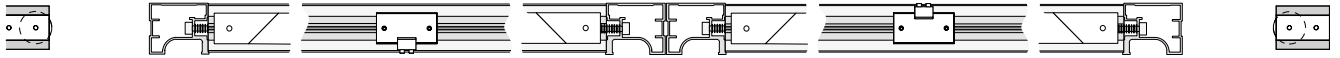


**4** Insert the counterpart of the lock into B profile

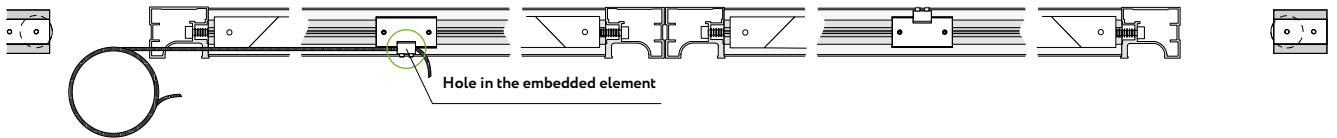




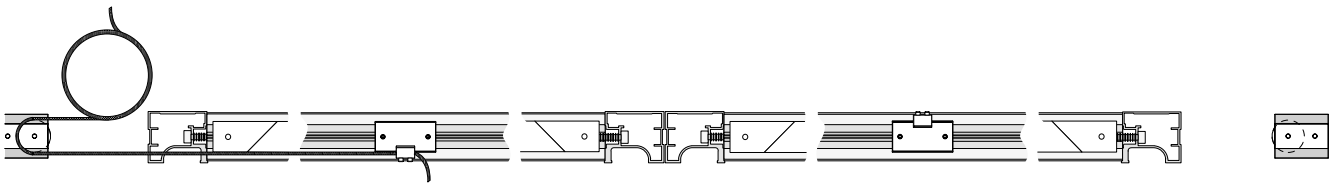
- 1 Bring the doors to the center and secure them with positioners.



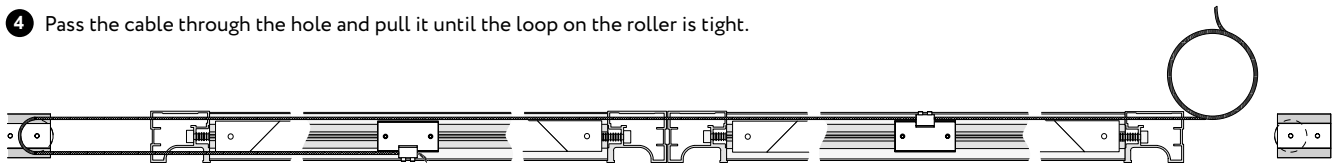
- 2 Unwind the cable and pass one end through the hole in the embedded element and secure it with a locking screw.



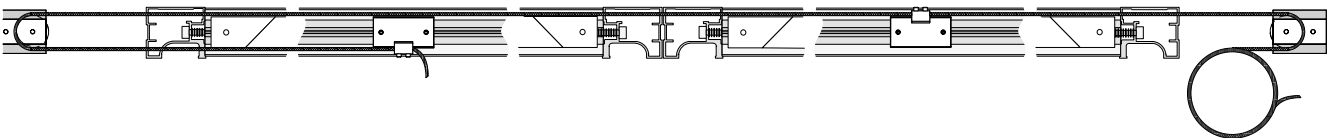
- 3 Pass the free end of the cable through the nearest roller and stretch the cable to the next embedded element of the synchronous mechanism.



- 4 Pass the cable through the hole and pull it until the loop on the roller is tight.

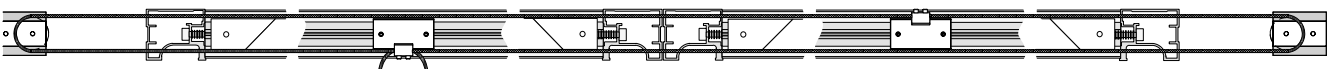


- 5 Place the free end of the cable over the second roller.  
It is also necessary to maintain the tension of the cable with sufficient force so that it does not jump off the first roller.



- 6 Pull the free end of the cable to the first embedded element of the synchronous mechanism.

- 7 Pass the end of the cable into the free hole and pull it out completely so that the cable is taut.



- 8 Perform final tension on the cable, making sure that the cable does not come off the rollers. Sufficient tension is considered to be the condition of the cable in which it does not sag or cling to structural elements.

- 9 Tighten all the locking screws through which the cable passes.

- 10 Trim off excess cable using wire cutters. Stretch the heat shrink tube over the remaining end of the cable and crimp it.

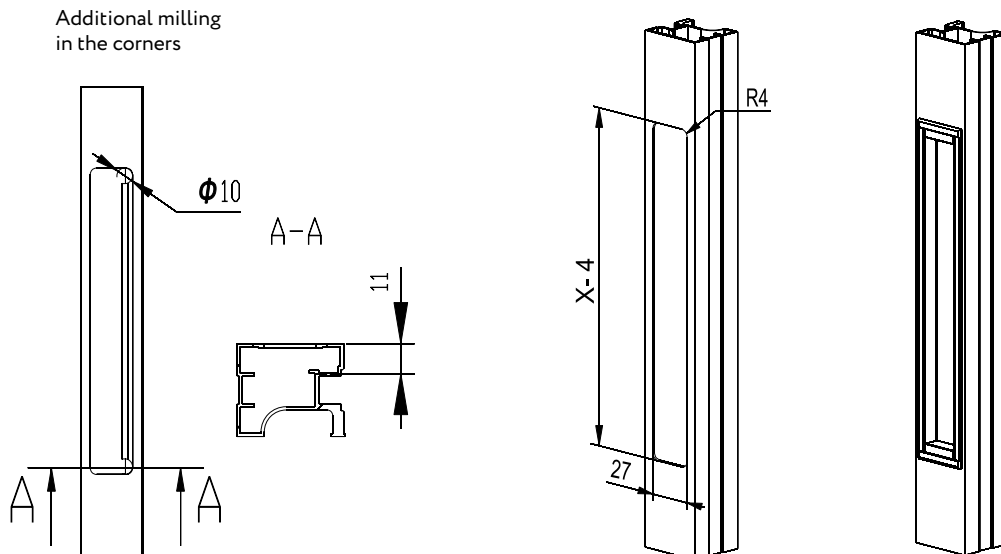
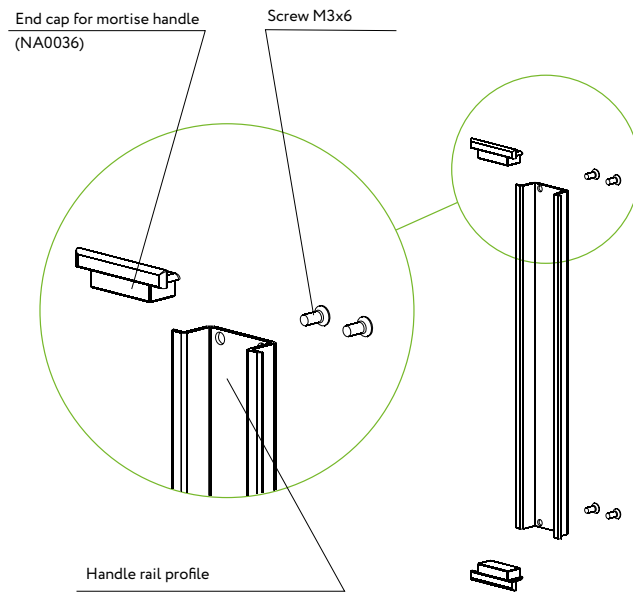
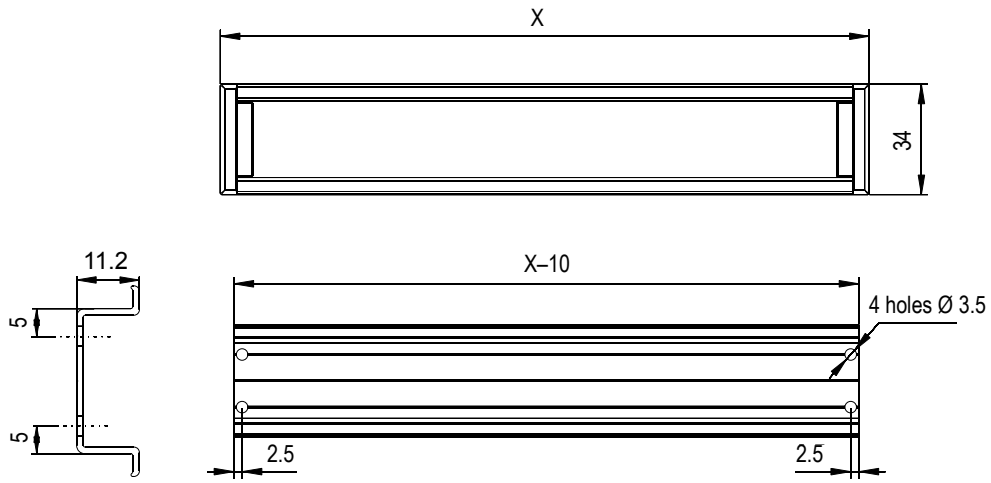
- 11 The mechanism for synchronous door opening is ready.



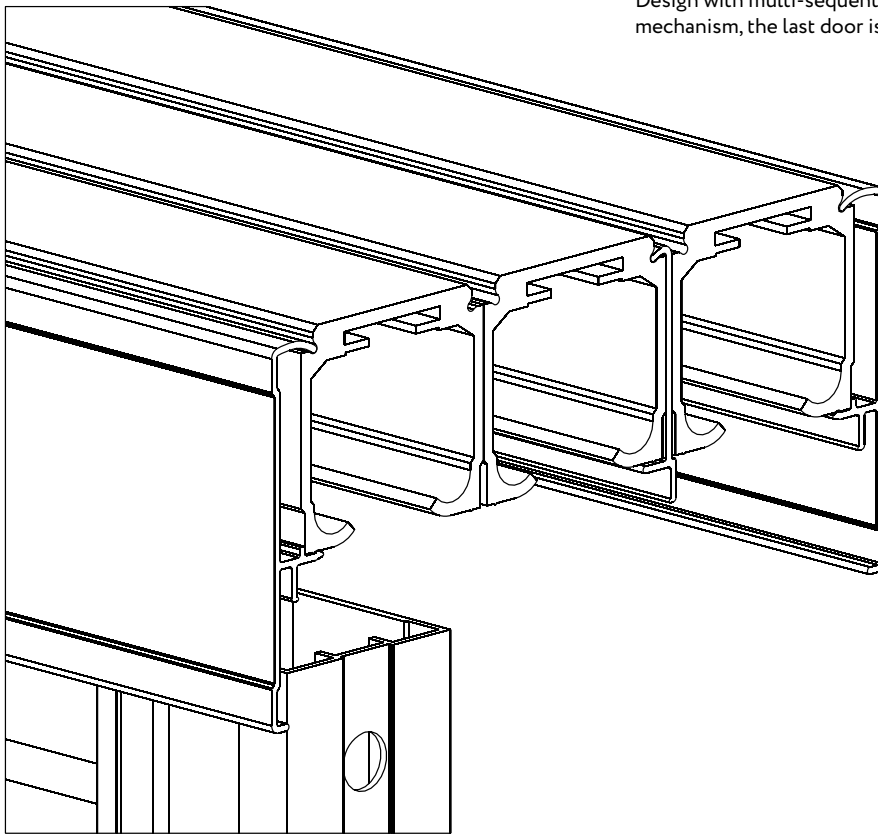
The tension of the installed cable can be adjusted by moving the rollers of the synchronous mechanism

## Assembly and installation of a cut-in handle

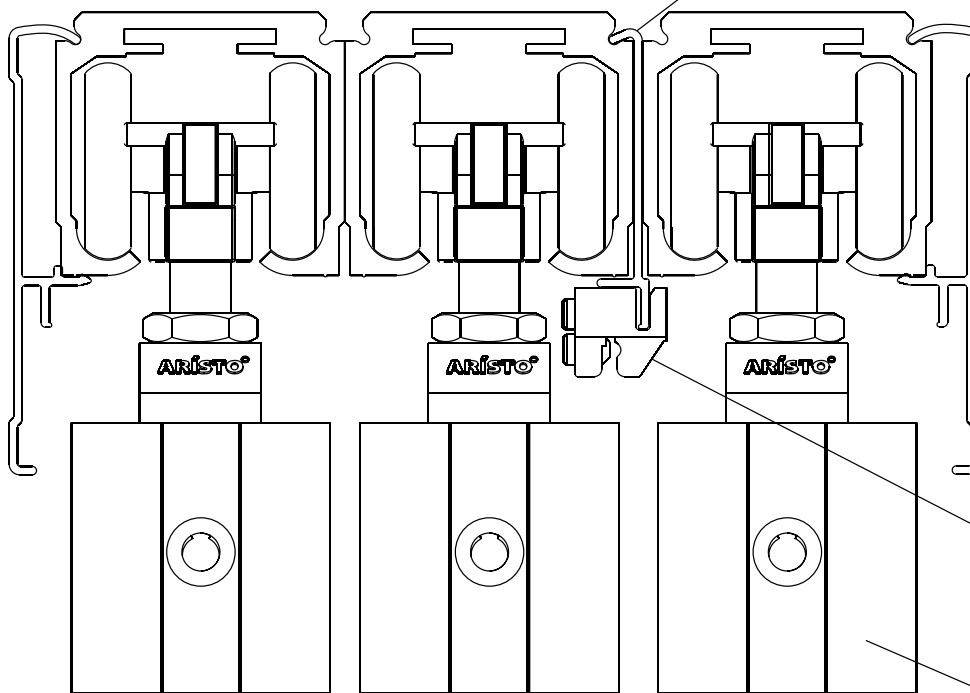
The cut-in handle is assembled from the handle rail profile and end caps (NA0036). Screws for fixing end caps to M3x6 mm profile. We fix the assembled handle to the FUSION profile using glue.



Design with multi-sequential synchronous opening mechanism, the last door is active



Cover for cable retainer (FA0821.VP540)



Sequential synchronous door fixture kit (FH0024)

Last door



## 4 in 1 System Folding System

Folding doors allow you to save space significantly. Their compact design is perfectly suitable for small rooms, narrow corridors and niches in walls where sliding doors cannot be installed. The doors run smoothly along their tracks and positioners allow you to choose where the doors are supposed to stop.

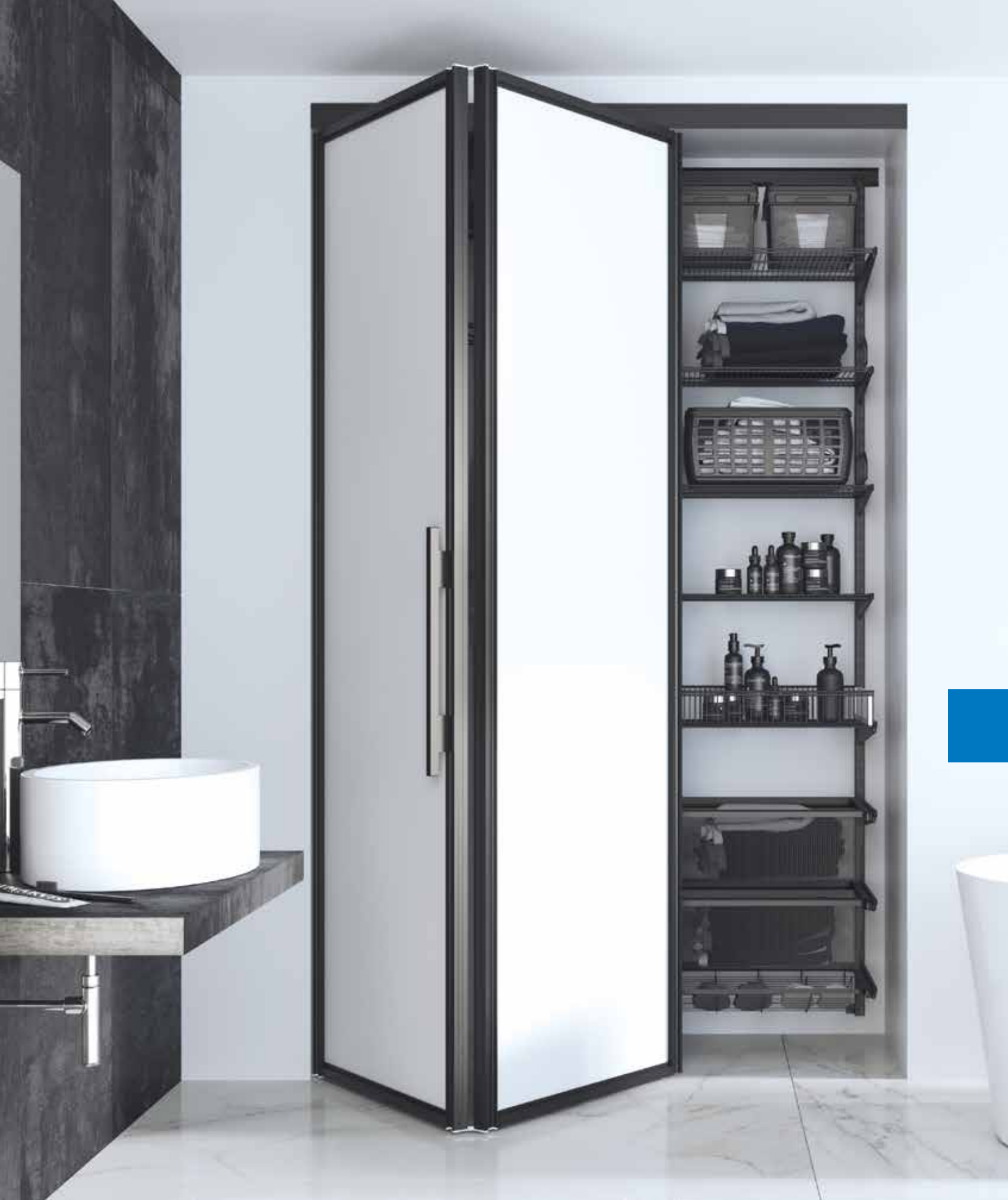


  
**3200 mm**  
Max door  
height

  
**600-1200 mm**  
Door  
width


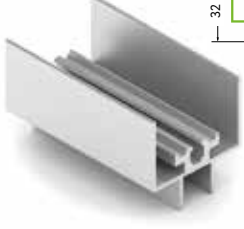




  
up to **40 kg**  
Door  
weight

  
Convenient  
railing handle















Interior:  
*Stile Fusion*  
*Black Sandy Color*  
*Folding System*

## Folding System. Profile Range

 <p>39,5 34</p>	 <p>32 32</p>	 <p>32 25</p>	 <p>38 35</p>
<p><b>FA0413.VP540</b> <b>Stile Fusion</b> 8/6 pcs per pack</p>	<p><b>FA0715.VP500</b> <b>Universal Top and Bottom Rail</b> 8 pcs per pack</p>	<p><b>FA0716.VP500</b> <b>Dividing Rail</b> 8 pcs per pack</p>	<p><b>FA0410.VP500</b> <b>Top Track</b> 8 pcs per pack</p>
 <p>59,2 10,2</p>		<p><b>Recommendation:</b> All anodizing and powder coating colors from Standard System EXW China are available.</p>	
<p><b>FA0682.VP508</b> <b>Top Track Cover</b> 16 pcs per pack</p>	<p><b>FA0418.VP540</b> <b>Railing Handle</b> 10 pcs per pack</p>		

## Folding System. Accessories

 <p><b>FF0001.VP000</b> <b>Top Folding Roller</b> (Set include 2 screws with different length) 150 pcs per pack</p>	 <p><b>FF0003.BP000</b> <b>Top Fixed Hinge</b> 150 pcs per pack</p>	 <p><b>FF0004.VP000</b> <b>Positioner</b> 400 pcs per pack</p>	 <p><b>FF0005.VP000</b> <b>Center Hinge</b> 150 pcs per pack</p>
 <p><b>FF0007.VP000, FF0009.VP000</b> <b>Bottom Hinge Right and Left</b> 150 pcs per pack</p>	 <p><b>FP0020.VP000</b> <b>Positioner for Pivot System</b> 500 pcs per pack</p>	 <p><b>AA0075.VP000, FA0646.VP000</b> <b>Screw 6x30/6x40</b> 5000 pcs per pack</p>	 <p><b>FF0002.VP000</b> <b>Stop-plug</b> 100 pcs per pack Colors: silver, black, white, gold, bronze, champagne</p>
 <p><b>FA0003.VP000</b> <b>Railing Handle Support</b> 100 pcs per pack Colors: silver, black, white, gold, bronze, champagne</p>	 <p><b>FA0004.VR000</b> <b>Railing Handle End Covers</b> 1000 pcs per pack Colors: silver, black, white, gold, bronze, champagne</p>	 <p><b>AA8884.VM200, AA8885.VM240, AA8886.VM250, AA8888.VM320</b> <b>Silicon Gasket U Shape</b> 4 mm - 200 m/roll 5 mm - 240 m/roll 6 mm - 250 m/roll 8 mm - 320 m/roll</p>	 <p><b>AA0104.VM200</b> <b>Weather Strip PU</b> Colors: white, grey, brown, black 200 m/roll</p>



AA0040.VP000.IN0EP.CO  
**Weather Strip Clip 9×5, Inox**  
 100 pcs per pack



AA0040.VP000.BK000.CO  
**Weather Strip Clip 9×5, Black**  
 100 pcs per pack



AA0956.VM200  
**Weather Strip**  
 Height - 5 mm, Width - 9 mm, 200 m/roll



AA0084.VM100  
**Silicon Gasket U Shape, Multi-purpose**  
 Colors: black, transparent  
 4 mm, 100 m/roll

### Folding System. Technical Information

Permissible size and weight of doors and partitions			
	Door height, mm	Door width, mm	Door Weight, kgs
4 in 1 Folding Partition (for one door, consisting of two "wings")	up to 3200	600-1200	up to 40

### Folding System. Panel Size Calculation

Panel Height Calculation According to the Material Type		
Panel type	Sign	Formula
Chipboard, 10 mm	Hp	$H_p = H_d - 44 \text{ mm}$
Chipboard, 8 mm	Hp	$H_p = H_d - 46 \text{ mm}$
Glass / Mirror 4 mm	Hp	$H_p = H_d - 47 \text{ mm}$

Panel Width Calculation According to the Material Type		
Panel type	Sign	Formula
Chipboard, 10 mm	Lp	$L_p = L_d - 60 \text{ mm}$
Chipboard, 8 mm	Lp	$L_p = L_d - 62 \text{ mm}$
Glass / Mirror 4 mm	Lp	$L_p = L_d - 63 \text{ mm}$

### Dividing rail

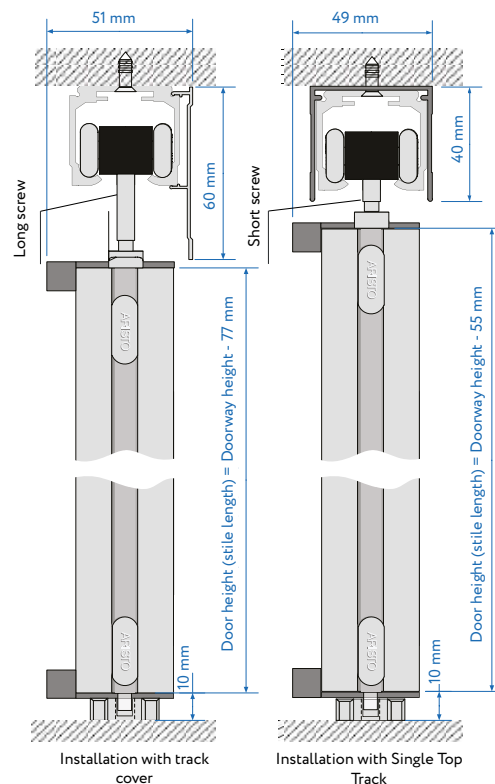
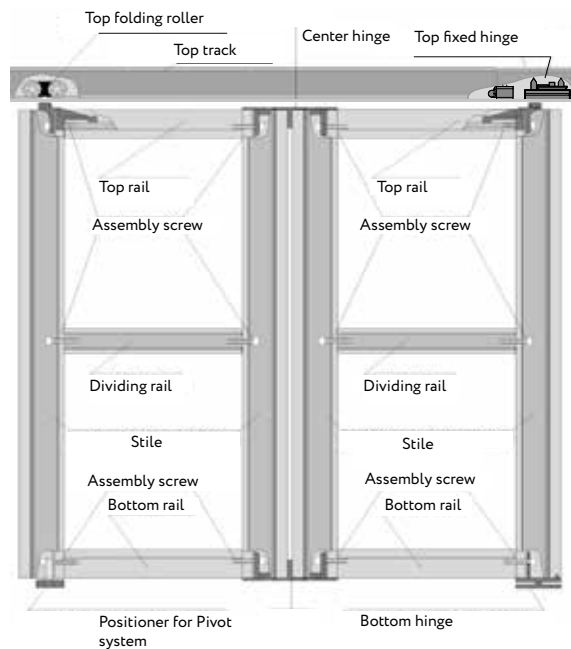
One dividing rail reduces height and the width of the panel, with possible combinations of the following values:		
Chipboard (10 mm) / Chipboard (10 mm)	Chipboard (8 mm) / Chipboard (8 mm)	Mirror (4 mm) / Mirror (4 mm)
<b>8 mm</b>	<b>10 mm</b>	<b>11 mm</b>
Chipboard (10 mm) / Chipboard (8 mm)	Chipboard (10 mm) / Mirror (4 mm)	Chipboard (8 mm) / Mirror (4 mm)
<b>9 mm</b>	<b>9,5 mm</b>	<b>10,5 mm</b>



Stop-plug

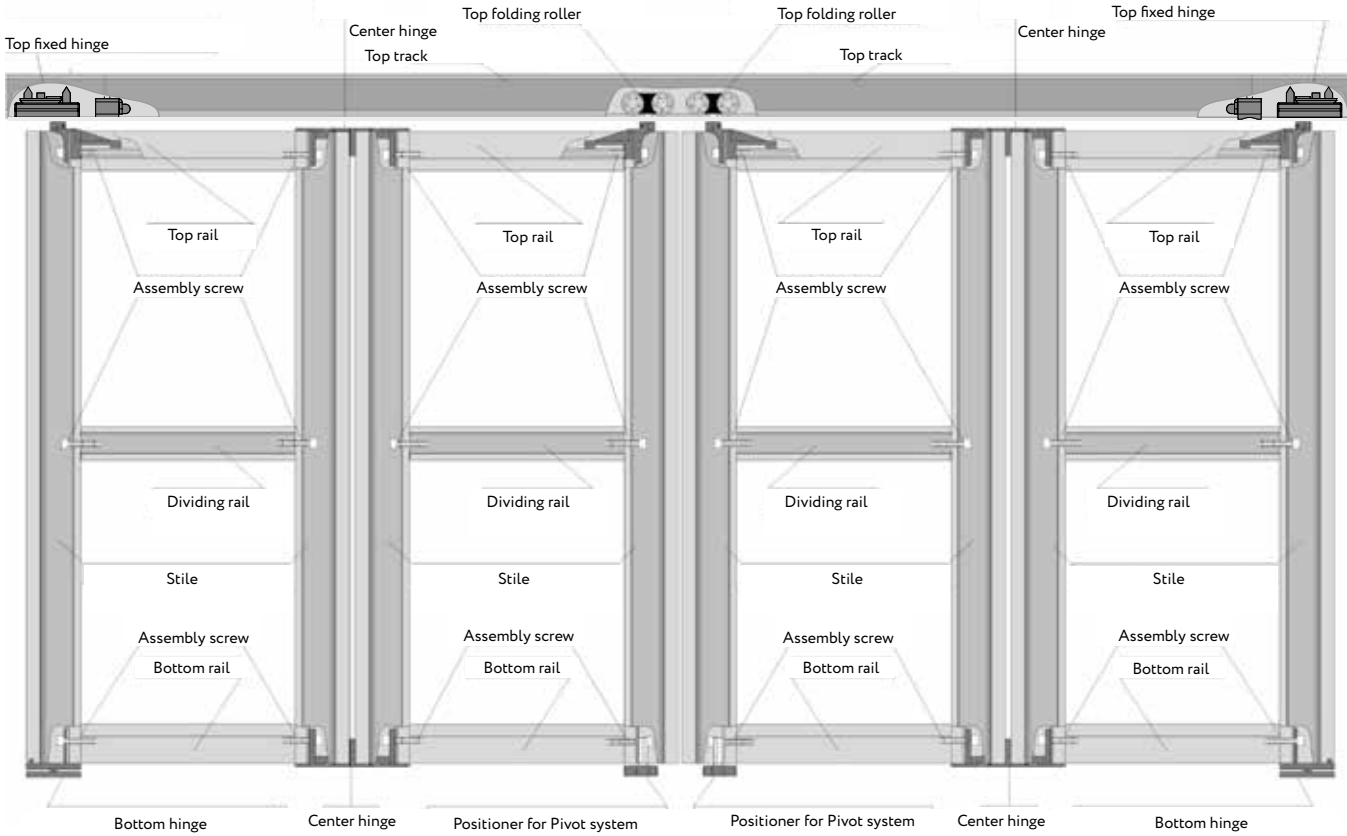
### Folding System. General View. Scheme

#### 1. One Folding Door



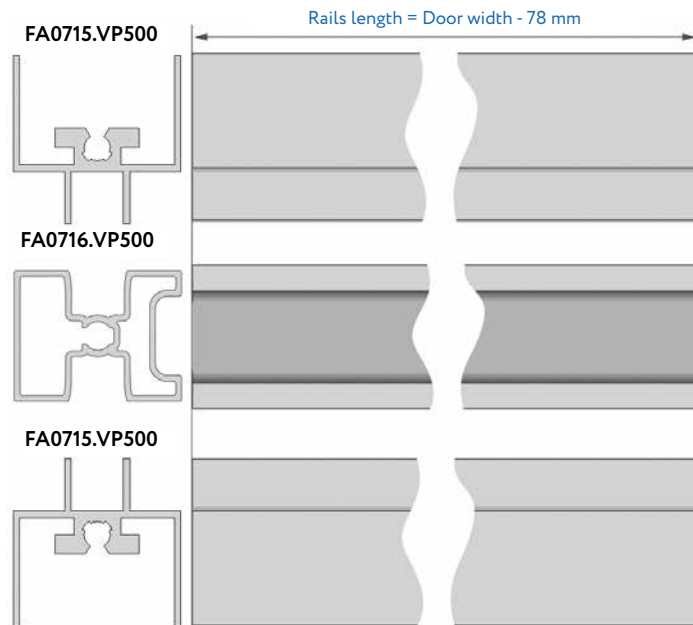
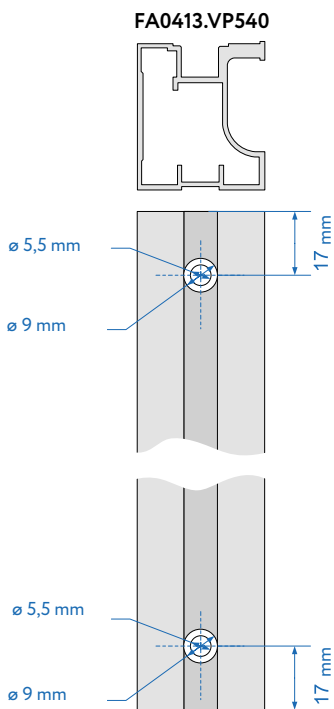
Height adjustment - max. 3 mm

2. Two Folding Doors

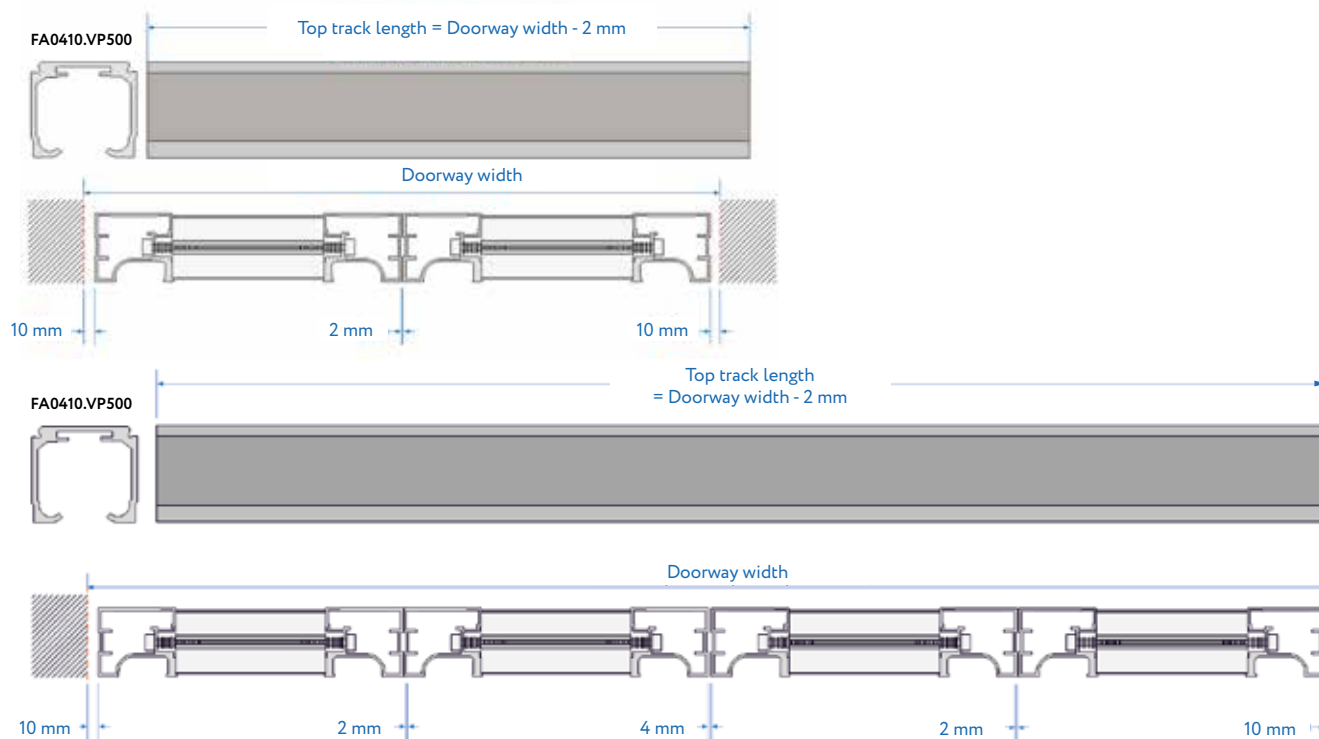


Folding System. Profile Length Calculation

- 1 The distance from the edge of the profile to the center of the hole for the assembly screw has to be 17 mm.
- 2 The hole size depends on the diameter of the assembly screw's head. The diameters of the holes: the inner hole - 5,5 mm; the outer hole - 9 mm.
- 3 Rail length calculation:  $L(\text{rail}) = L(\text{door}) - 78 \text{ mm}$ . The bottom, top and dividing rails have to be the same length.



## Folding System. Top Track and Profile Length Calculation



## Folding System. Assembly and Installation Guide

Each folding door consists of two sections or «wings». Each section is assembled separately and then they are connected using a hinge. Below you can find the assembly scheme for one section.

6 Place one half (one side) of the full hinge on the opposite side of the door section. Tighten the assembly screw.

The force (torque) must not exceed 3,5 Nm.

1 Attach the top rail to the panel.

2 Attach the bottom rail to the panel.

3 Mark hole locations on the stile Fusion. Drill the holes in the marked locations if you use a dividing rail.

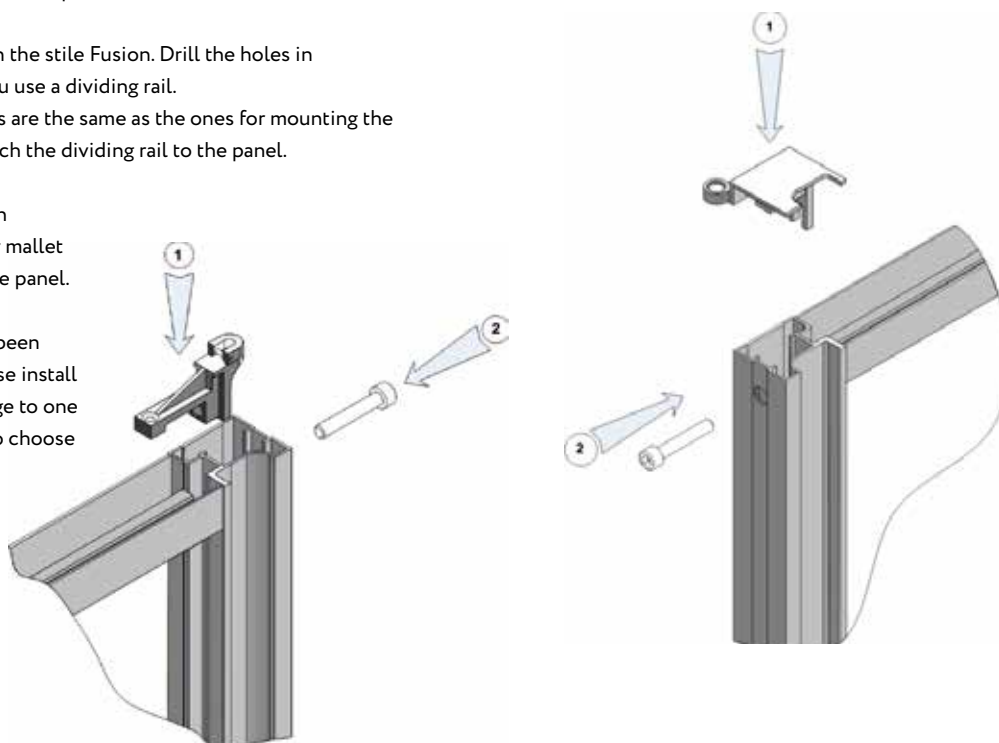
The diameters of the holes are the same as the ones for mounting the top and bottom rails. Attach the dividing rail to the panel.

4 Install the stiles Fusion on the panel. Use a rubber mallet to attach the profiles to the panel.

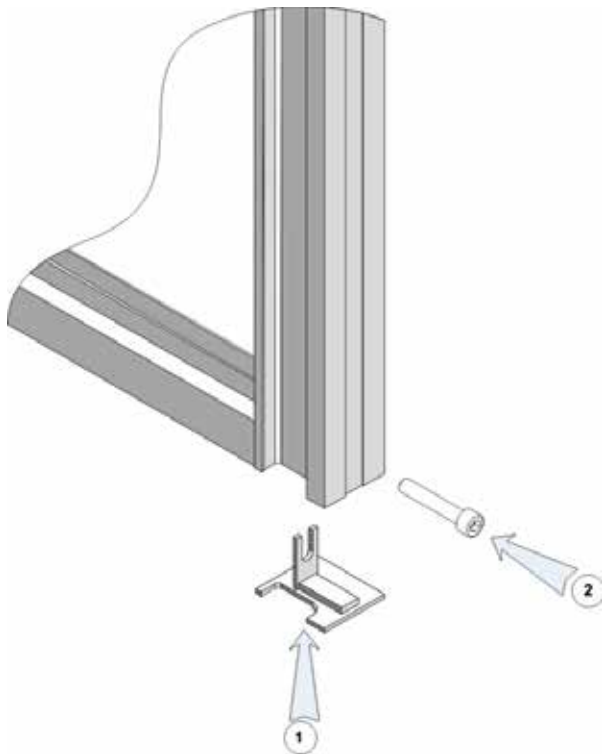
5 After all profiles have been attached to the door, please install the mount for the top hinge to one of the stiles (which stile to choose depends on the project).

Tighten the assembly screw.

The force (torque) must not exceed 3,5 Nm.

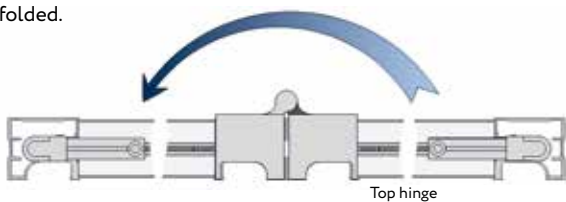


- 7 Install the relevant element for the bottom hinge on the bottom of the door's section. Tighten the assembly screw.  
**The force (torque) must not exceed 3,5 Nm.**

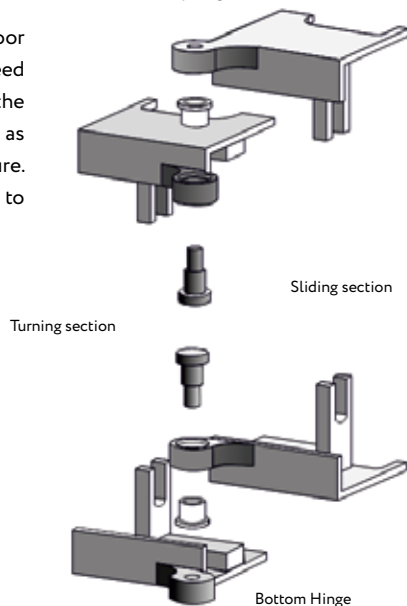


Assemble the second section of the door in the same way. The only exception is the accessories. You must install the mount for the top roller, the set of hinges and the pin for the positioner the pivot system in the second half.

- 8 Connect the two «wings» of the door through the hinges. For an easier installation, we recommend to put the two door sections on the floor, with their frontside facing downwards. After the installation of the hinges, the full door (two halves) must be folded.

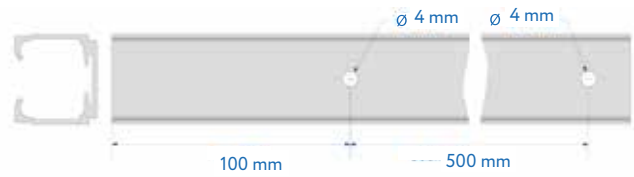


8.1. Before the door assembly you need to make sure that the bushing is installed as shown in the picture. Pay special attention to the bushing location



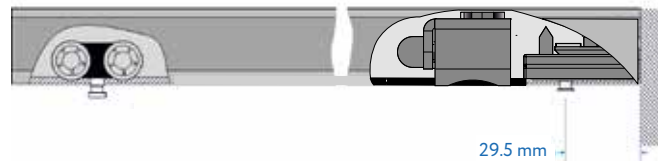
- 9 Mark hole locations in the top track as shown below. Drill holes in the marked locations.  
 The distance between the holes must not exceed 500 mm.

9.1. Doorway installation:



- 10 Before installing the top track, install the top roller and the bottom hinge - according to the project's requirements. Install the top track after.

- 10.1 Install the top hinge with its widest part pointing to the wall and tighten the screws until they do not move anymore.



- 11 Door installation:

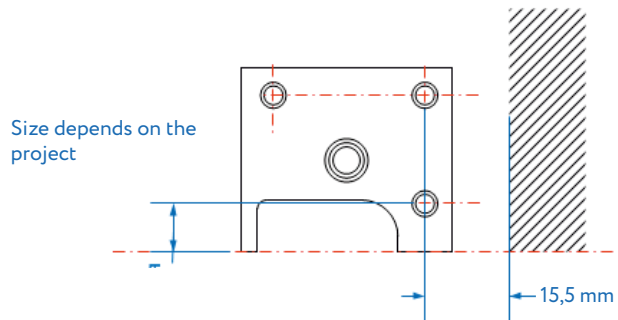
- 11.1. Install the counterpart of the bottom hinge on the floor of the doorway.

- 11.2. Take the previously folded door (compare description in paragraph 8).

- 11.3. Start the door installation by installing the bottom hinge first.

- 11.4. Install the top hinge and fix it with a screw.

- 11.5. Connect the second section with the roller and fix it with a screw.



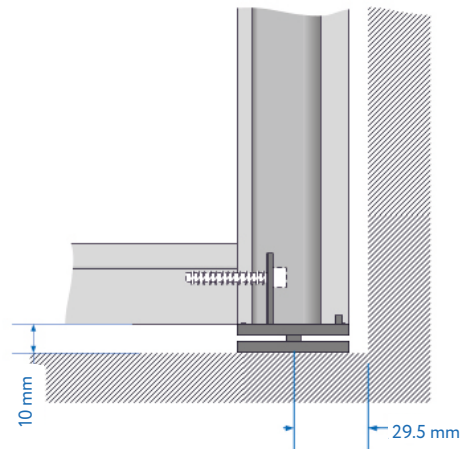
12 For adjustment of the folding doors, use the adjustment screws of the top roller and the top hinge.

12.1. Start the adjustment with fixed section of the door. Lower the screw then remove the door from the suspension screw. After that adjust the gap between the base and the insert element of the bottom fixed support. The ideal gap should be 1-2mm.

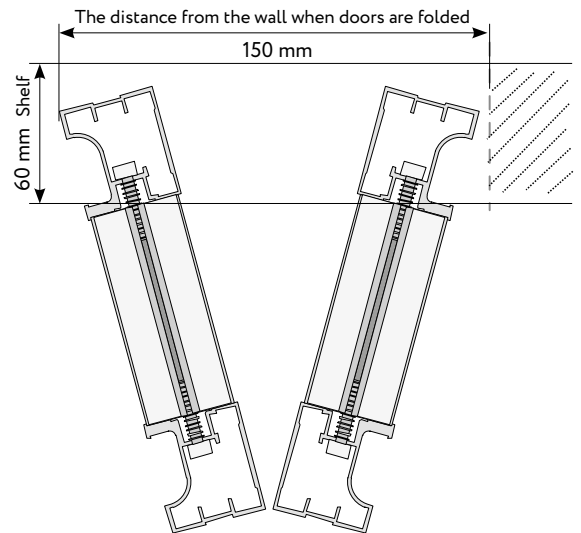
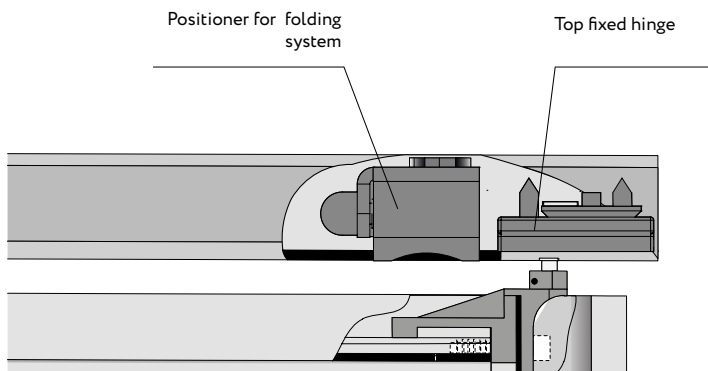
12.2. Fix the suspension screw with positioner's screw.

12.3. Adjust the second section of the folding doors the same way.

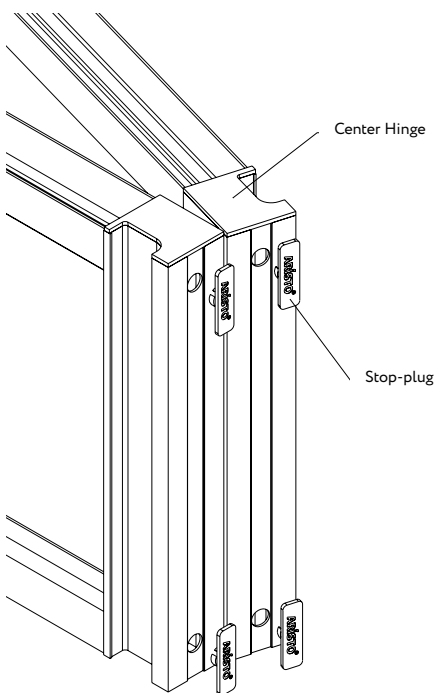
12.4. Install the positioner for pivot system at the final closed position of the folding door.



It is required to install a positioner for the folding system to prevent the doors from getting stuck



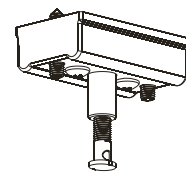
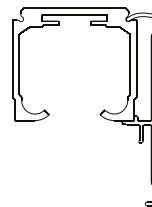
### Folding System. Stop-plug Guide Installation



The stop-plugs FF0002.VP000 have to be installed in the top and bottom holes of the central vertical profiles that are connected by a hinge. This prevents the doors from bending inwards at the position of the hinge.

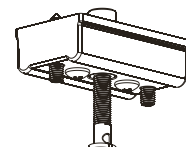
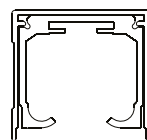
### Folding System. Top Fixed Hinge Installation

1 Installation with Top Track Cover

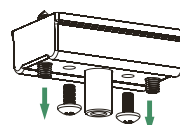


Use Top Fixed Hinge unchanged

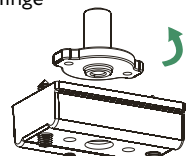
2 Installation with Single Top Track



Re-assemble the Top Fixed Hinge



Unscrew the screws



Rotate the barrel by 180° and fix with screws



## 4 in 1 System Pivot Solution

For built-in wardrobes with an opening of less than 1 m width it is recommended to use pivot doors. The opening angle of 150° favours comfortable accessibility and easy visibility of the wardrobe's inside.

We suggest either vertical profiles with included handle or additional railing handles for convenient opening and closing. Available space for opening the doors is an obligatory requirement for this solution.



  
**3200 mm**  
Max door  
height

  
**900 mm**  
Door  
width

  
up to **40 kg**  
Door  
weight

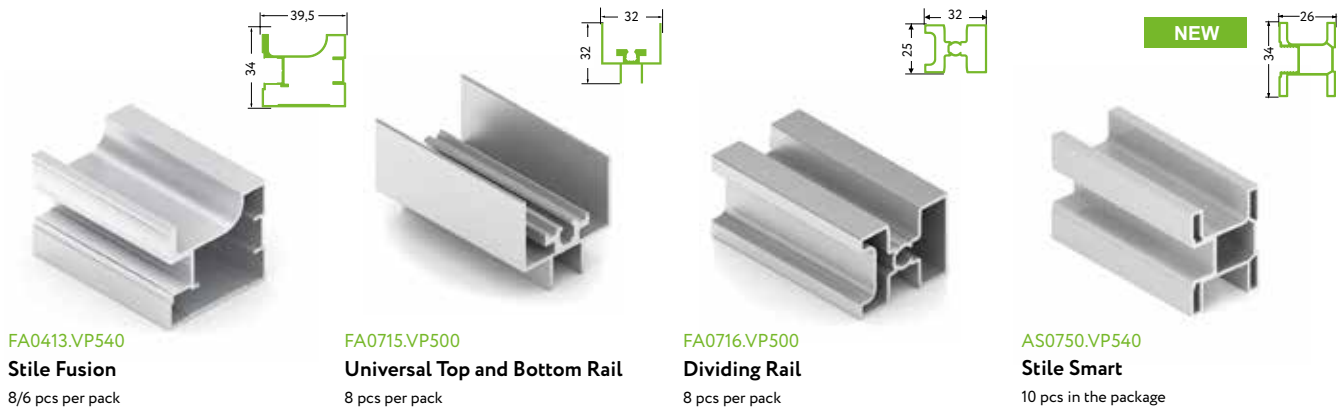
  
Convenient  
railing handle

  
Three axis  
adjustment



Interior:  
Stile Fusion  
Silver Matt Color  
Pivot System

## Pivot System. Profile Range



FA0413.VP540

**Stile Fusion**

8/6 pcs per pack

FA0715.VP500

**Universal Top and Bottom Rail**

8 pcs per pack

FA0716.VP500

**Dividing Rail**

8 pcs per pack

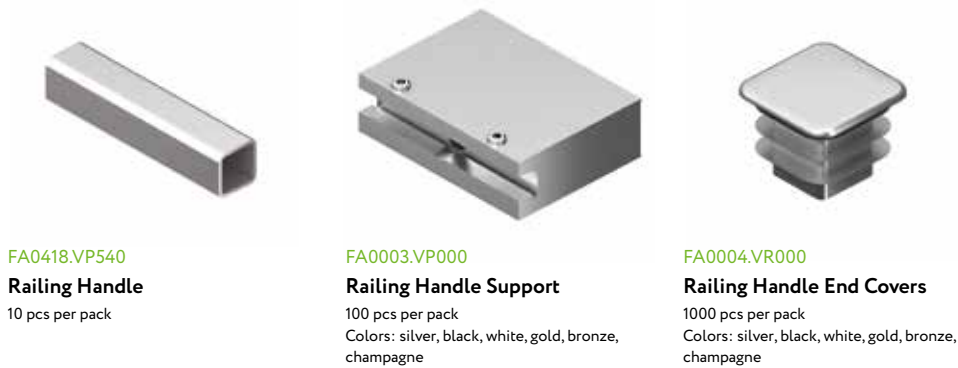
AS0750.VP540

**Stile Smart**

10 pcs in the package

Recommendation:  
All anodizing and powder coating colors from Standard System EXW China are available.

## Railing Handle



FA0418.VP540

**Railing Handle**

10 pcs per pack

FA0003.VP000

**Railing Handle Support**

100 pcs per pack

Colors: silver, black, white, gold, bronze, champagne

FA0004.VR000

**Railing Handle End Covers**

1000 pcs per pack

Colors: silver, black, white, gold, bronze, champagne

## Pivot System. Accessories



FP0020.VP000

**Positioner for Pivot System**

Positioner (1 pc.), Positioner axis (1 pc.), Damper (1 pc.)  
500 pcs per pack

FP0080.VR000\*

**End Covers Fusion**

10 pcs per pack  
Colors: silver, white, black

FP0000.VS000

**Pivot Adjustable 4 in 1**

In the package: the base of the mechanism; top mortgage; bottom mortgage; screw; plastic mortgage; self-tapping screw; lock nut - 2 pcs; plug - 2 pcs; euro screw - 6 pcs  
Colors: silver, white, brown, black, Package: 50 pcs

FP0010.VS000\*

**Pivot Mechanism Set**

Pivot System Base, Top (1 pc.). Pivot System Base, Bottom (1 pc.). Pivot System Recurrent Rotating Bar, Top (1 pc.). Pivot System Recurrent Rotating Bar, Bottom (1 pc.). Fixation Bar of Pivot System Base (2 pcs)  
20 pcs per pack  
Colors: silver, white, black

FP0011.VP000\*

**Pivot System Adjustable Plate**

10 pcs per pack

AA0075.VP000, FA0646.VP000

**Screw 6x30/6x40**

5000 pcs per pack

AA0040.VP000.IN0EP.CO

**Weather Strip Clip 9x5, Inox**

100 pcs per pack

AA0040.VP000.BK000.CO

**Weather Strip Clip 9x5, Black**

100 pcs per pack



AA8884.VM200, AA8885.VM240,  
AA8886.VM250, AA8888.VM320  
**Silicon Gasket U Shape**

4 mm - 200 m/roll  
5 mm - 240 m/roll  
6 mm - 250 m/roll  
8 mm - 320 m/roll



AA0104.VM200  
**Weather Strip PU**

Colors: white, grey, brown, black  
200 m/roll



AA0084.VM100  
**Silicon Gasket U Shape,  
Multi-purpose**

Colors: black, transparent  
4 mm, 100 m/roll



AS0053.VP000

**Hole Cover, Self-adhesive**

Colors: gold, silver, champagne, bronze,  
black  
100 pcs per pack



AA0956.VM200

**Weather Strip**

Height - 5 mm, Width - 9 mm, 200 m/roll

Interior:

*Stile Fusion  
Silver Matt Color  
Pivot System*





## Universal Pivot Mechanism

Our Universal Pivot Mechanism allows you to have pivoting doors (swing doors) using both the Aristo Standard and the 4 in 1 System profiles. It is possible to install the doors both in a cabinet and in a doorway. 3D-adjustment in three different axes: A sophisticated three-way position adjustment of the mechanism helps you to achieve an ideal aesthetic look of your project's doors without distortions and gaps. The new pivot mechanism provides many years of comfortable and safe usage. Its special design and its reliability serve doors of up to 40 kg and up to 900 mm width.

Closed Position



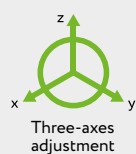
Opened Position



FP0000.VS000

**Pivot Adjustable 4 in 1**

In the package: the base of the mechanism; top mortgage; bottom mortgage; screw; plastic mortgage; self-tapping screw; lock nut - 2 pcs; plug - 2 pcs; euro screw - 6 pcs  
Colors: silver, white, brown, black, gold, champagne  
Package: 60 pcs



Permissible size and weight of doors and partitions			
	Door Height, mm	Door Width, mm	Door Weight, kgs
4 in 1, Pivot System	up to 3200	up to 700	up to 30
4 in 1 Doors with Pivot Adjustable Mechanism	up to 3200	up to 900	up to 40

Pivot System. Panel Size Calculation

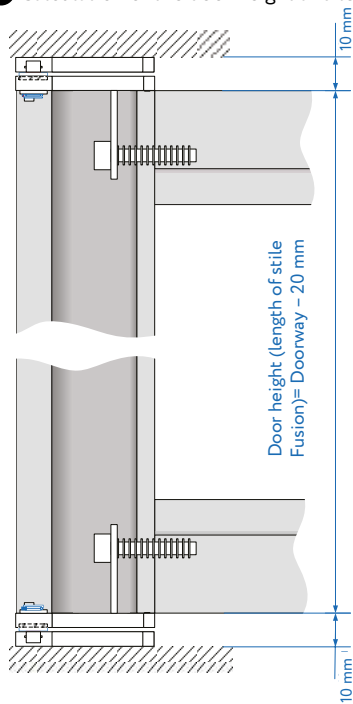
Calculation of Panel Height			Fusion			Smart		
Panel type	Sign	Calculation	Panel type	Sign	Calculation	Panel type	Sign	Calculation
Chipboard, 10 mm	Hp	$H_p = H_d - 44 \text{ mm}$	Chipboard, 10 mm	Lp	$L_p = L_d - 60 \text{ mm}$	Chipboard, 10 mm	Lp	$L_p = L_d - 36 \text{ mm}$
Chipboard, 8 mm	Hp	$H_p = H_d - 46 \text{ mm}$	Chipboard, 8 mm	Lp	$L_p = L_d - 62 \text{ mm}$	Chipboard, 8 mm	Lp	$L_p = L_d - 38 \text{ mm}$
Glass (Mirror), 4 mm	Hp	$H_p = H_d - 47 \text{ mm}$	Glass (Mirror), 4 mm	Lp	$L_p = L_d - 63 \text{ mm}$	Glass (Mirror), 4 mm	Lp	$L_p = L_d - 39 \text{ mm}$

Dividing Rail

One dividing rail reduces height and width of the panel in possible combinations to the following values:		
Chipboard (10 mm) / Chipboard (10 mm)	Chipboard (8 mm) / Chipboard (8 mm)	Mirror (4 mm) / Mirror (4 mm)
<b>8 mm</b>	<b>10 mm</b>	<b>11 mm</b>
Chipboard (10 mm) / Chipboard (8 mm)	Chipboard (10 mm) / Mirror (4 mm)	Chipboard (8 mm) / Chipboard (4 mm)
<b>9 mm</b>	<b>9,5 mm</b>	<b>10,5 mm</b>

Pivot System. Profile Length Calculation

1 Calculation of the door height and length of the Stile Fusion:

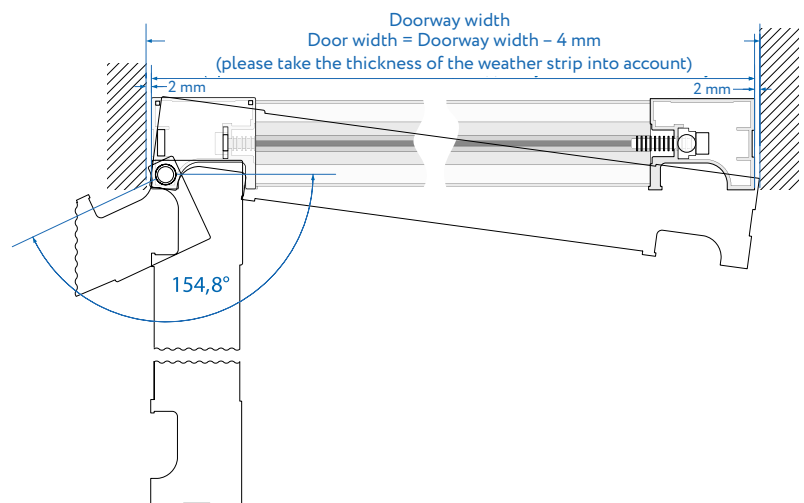


2 Door opening angle is more than 150°.

3 One door width calculation:  $L(\text{door}) = L(\text{doorway}) - 4 \text{ mm}$ .

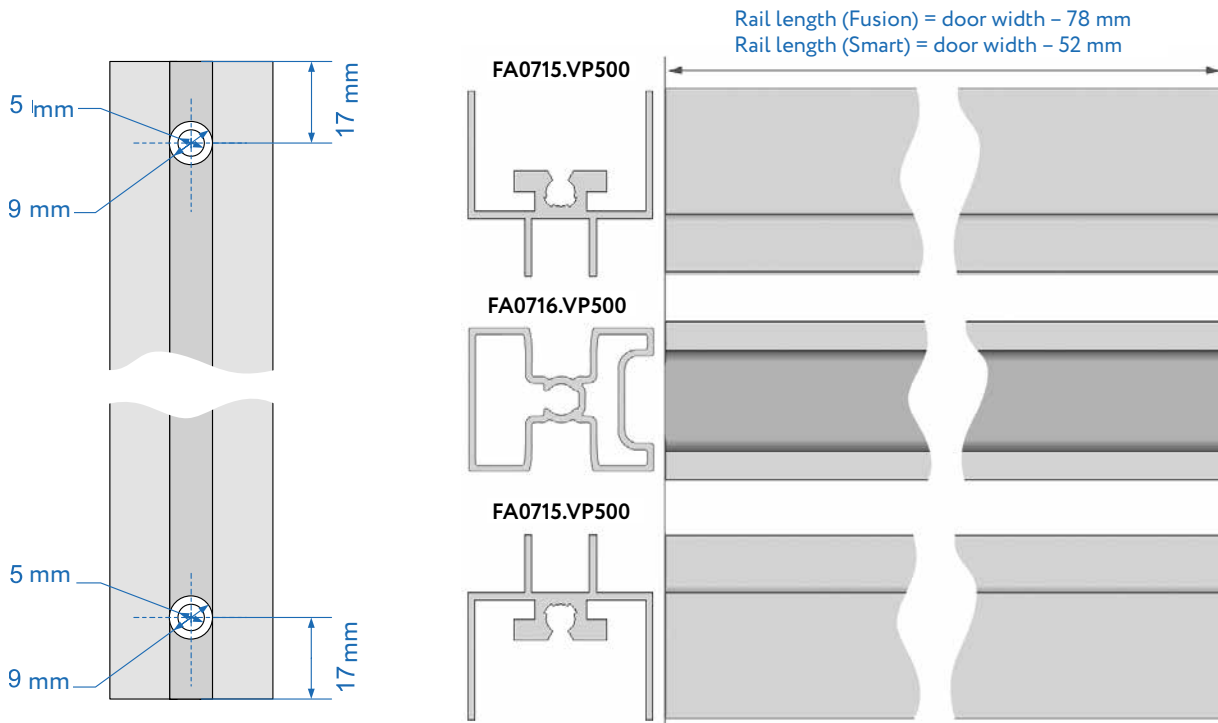
4 Door width calculation for two-doors wardrobe:

$$L(\text{door}) = (L(\text{doorway}) - 8 \text{ mm}) / 2.$$



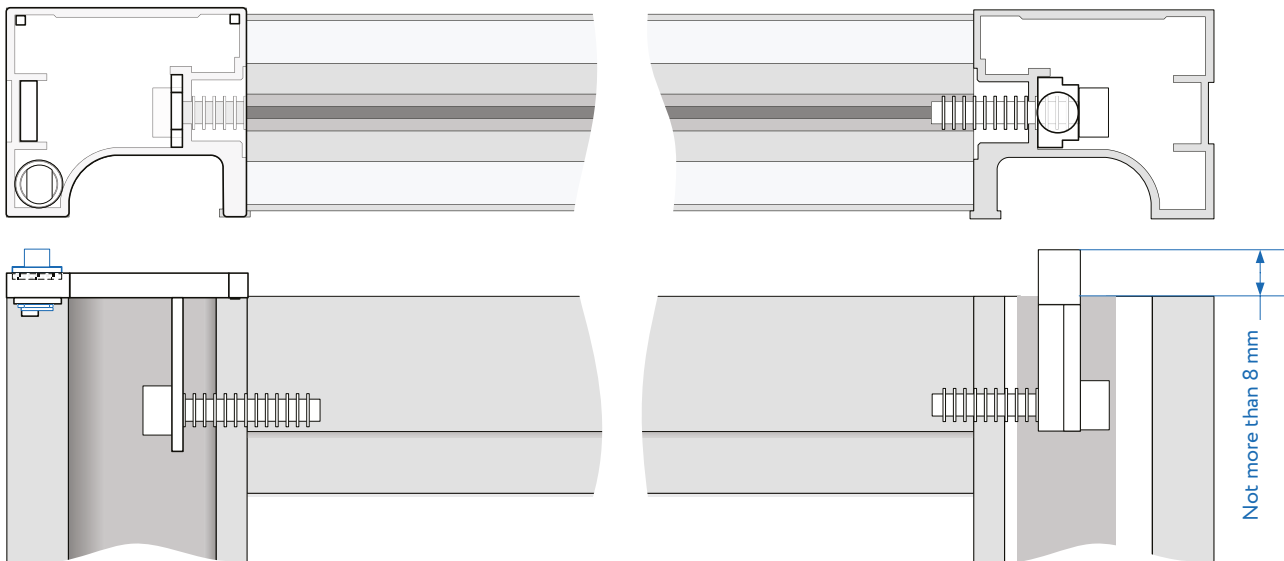
**Pivot System. Panel Size Calculation**

Door height and vertical profile length calculation:  $H(\text{door}) = H(\text{doorway}) - 20 \text{ mm}$ .

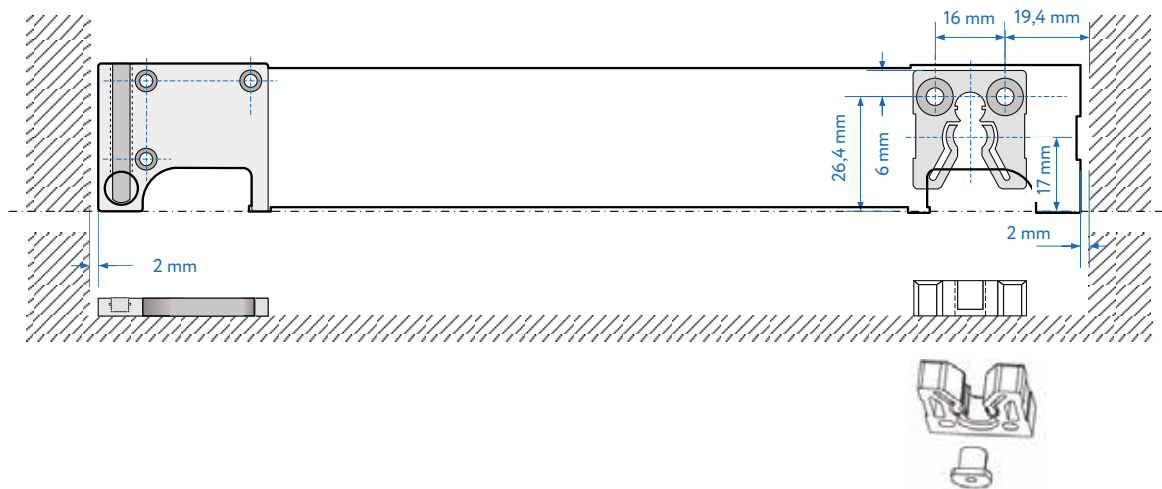


**Pivot System. Assembly and Installation Guide**

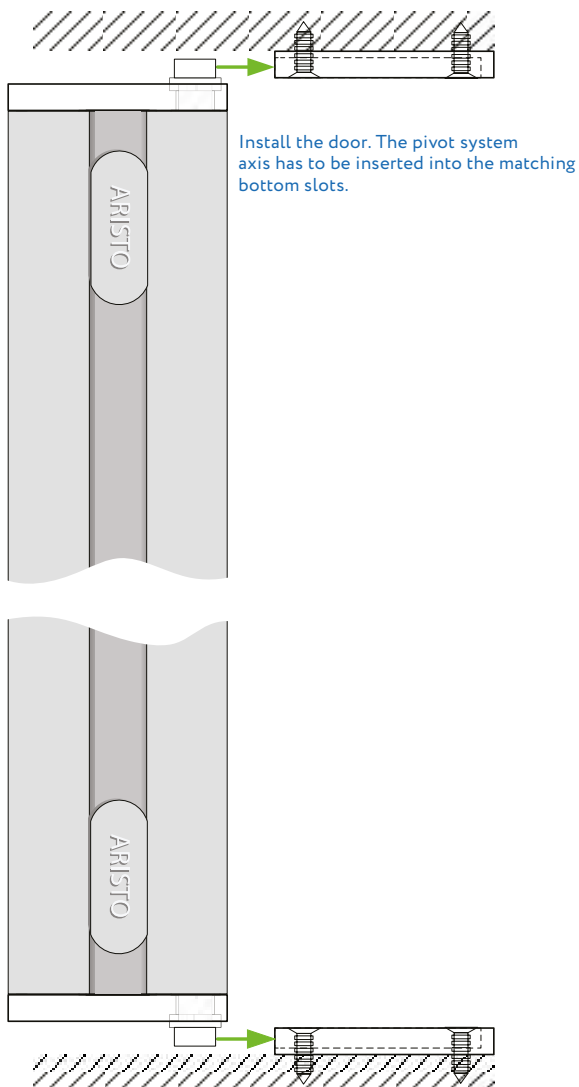
- 1 Attach the top rail to the panel.
- 2 Attach the bottom rail to the panel.
- 3 Mark hole locations on the stile Fusion. Drill the holes in the marked locations if you use a dividing rail. The diameters of the holes are the same as the ones for mounting the top and bottom rails. Attach the dividing rail to the panel.
- 4 Install the stiles Fusion on the panel. Use a rubber mallet to install the profiles to the panel. After all profiles have been attached to the door, they have to be fixed with assembly screws through the prepared mounting holes. The force (torque) must not exceed 3,5 Nm.
- 5 At the edge of the first stile Fusion the assembled recurrent rotating bar for pivot system has to be installed - for the top and the bottom respectively.
- 6 Install the positioner axis for the pivot system (part of the Positioner for Pivot System Set) it the edge of the second stile Fusion.



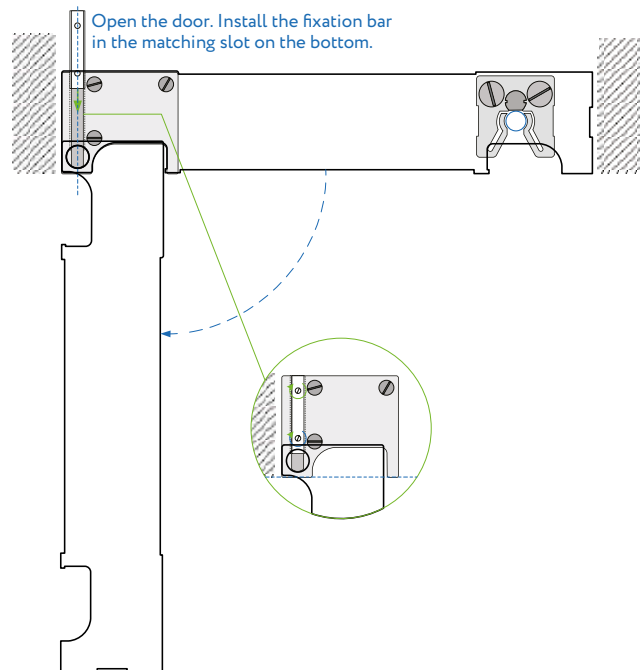
- 7 Pencil marks for pivot system bases and positioners on the base and the inner plane of the wardrobe. The parts get fastened to the floor with screws.



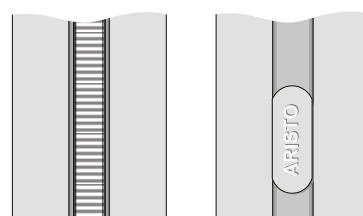
- 8 Install the door as shown in the picture:



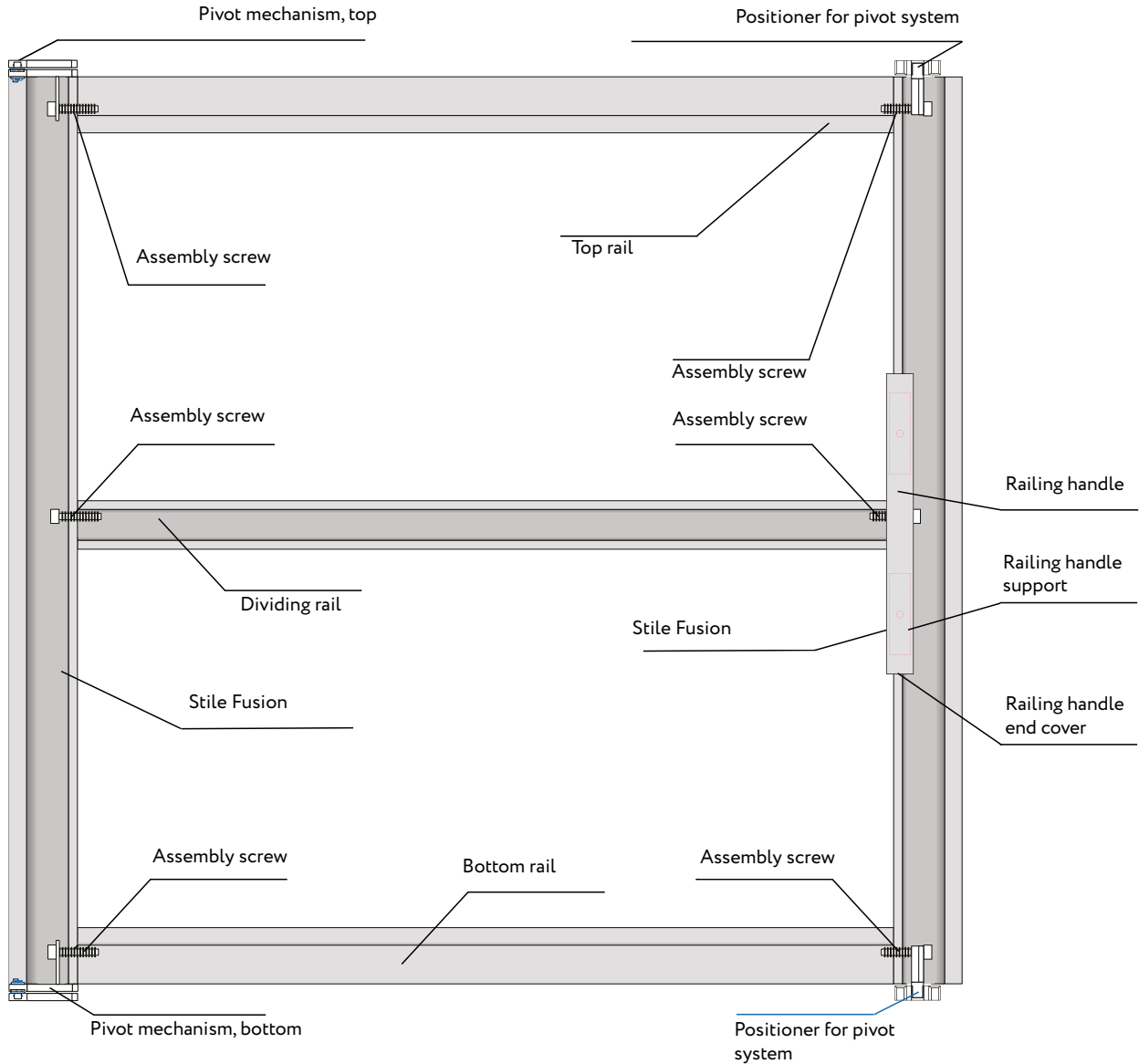
- 9 Fix the door on pivot system bases with fixation bars:



- 10 If necessary use a weather strip or hole covers.





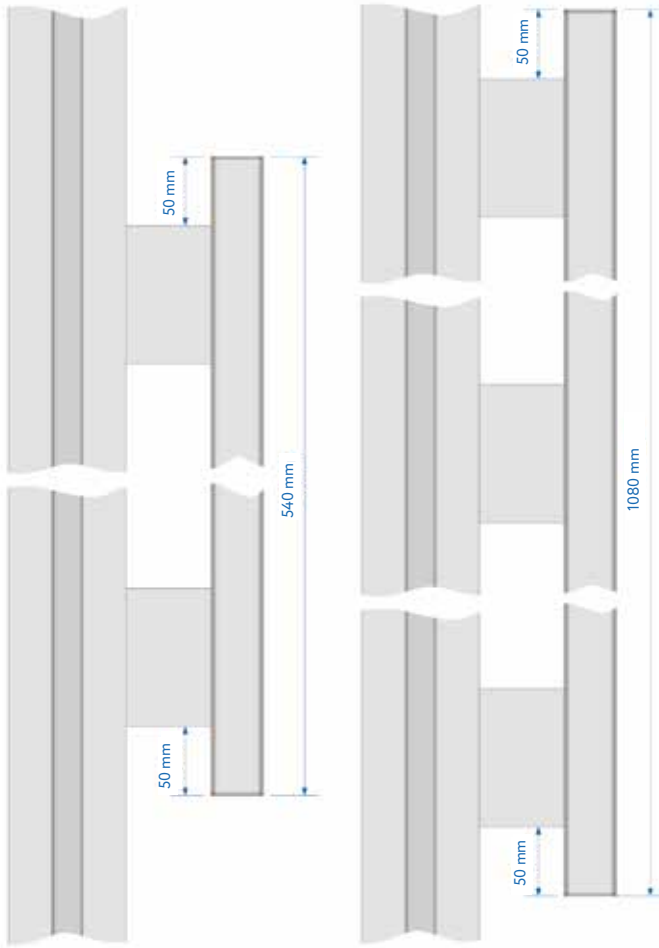


**It is not allowed to use as panels the plate materials prone to bending.**

Materials prone to bending: chipboard with a violation of production technology, any materials stored not on a flat surface or also transportable, MDF, materials with different back and front coatings, materials with adhesive coatings (glue warps the material), etc.

It is also important to take into account the operating conditions – temperature and humidity changes, high humidity, proximity of infrared radiation sources. A possible consequence of installing materials prone to bending is vertical or horizontal deformation of the door during operation.

1 Potential dimensions for the railing handle and needed amount of railing handle connectors:



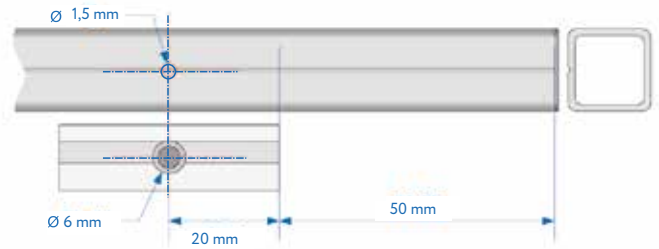
2 We recommend a railing handle length of up to 540 mm. For a length of 540 mm, two connectors are needed. If the customer asks for a longer handle you need to add more connectors. For every additional 540 mm of railing handle one more connector is needed.

1 The railing handle installation for pivot, top-hung and folding systems can be done before or after final assembly.

2 Measure the required length of the railing handle. Cut off the required length with a saw that is suitable for aluminum.

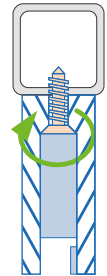
3 Use a straight edge and a pencil for marking the location of the railing handle connectors.

4 Mark the locations for drilling the required holes. For this purpose we have added a groove to one side of the railing handle along the entire length.



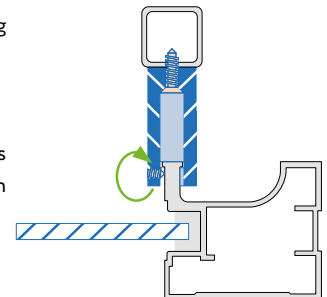
5 Drill the holes into the railing handle using a 1.5 mm drill bit.

6 Install the connectors by tightening the screws until they do not move anymore. **The force (torque) must not exceed 3,5 Nm.**

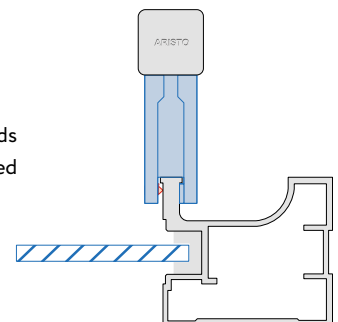


7 Mark the locations for railing handle on the stile Fusion.

8 Install the assembled railing handle on the marked locations on the profile. Fix the handle with screws and a wrench.

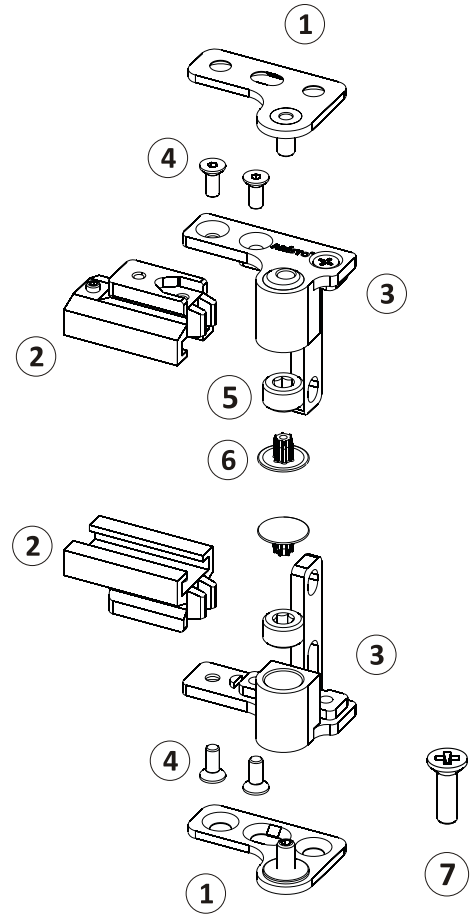
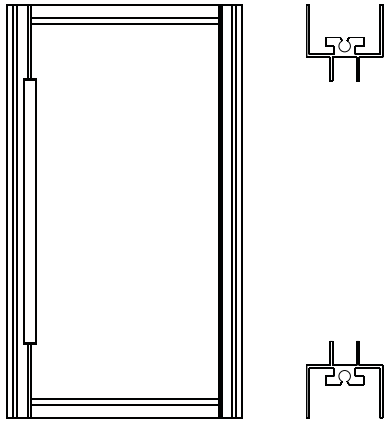


9 Add end covers to both ends of the handle to give it a finished look.



The correct operation of the mechanism is reached by making measurements of the opening as precise as possible and its mechanical properties.

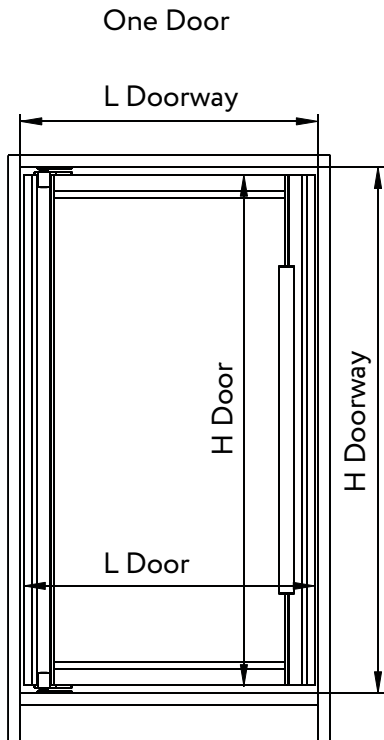
Top Rail is used in the door for both top and bottom frame.



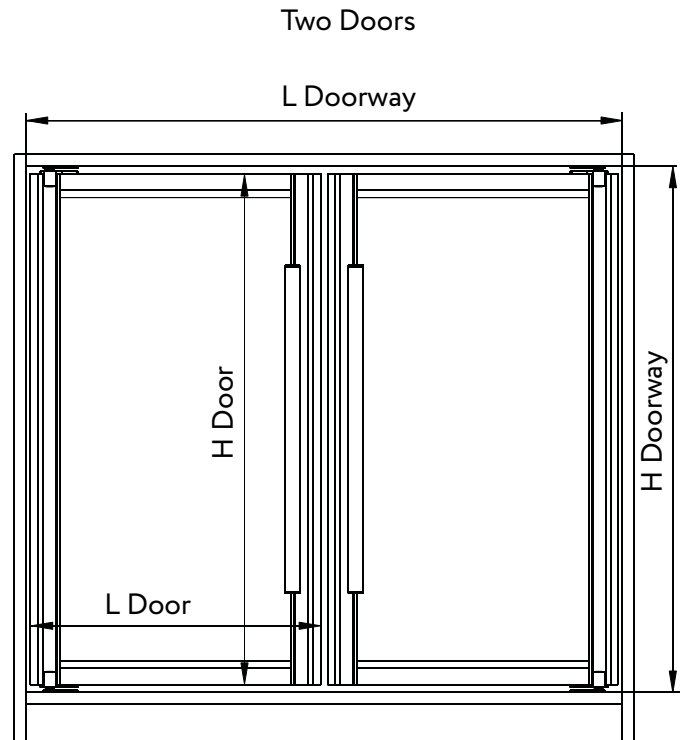
One set includes:

- |   |                       |
|---|-----------------------|
| 1. Pivot System Base                      | 4. Screw - 4 pcs      |
| 2. Attachment Element for Horizontal Rail | 5. Lock-nut - 2 pcs   |
| 3. Attachment Element for Stile           | 6. Hole Cover - 2 pcs |
|   | 7. Euroscrew - 6 pcs  |

### Door Size Calculation



$$L \text{ Door} = L \text{ Doorway} - 10 \text{ mm}$$

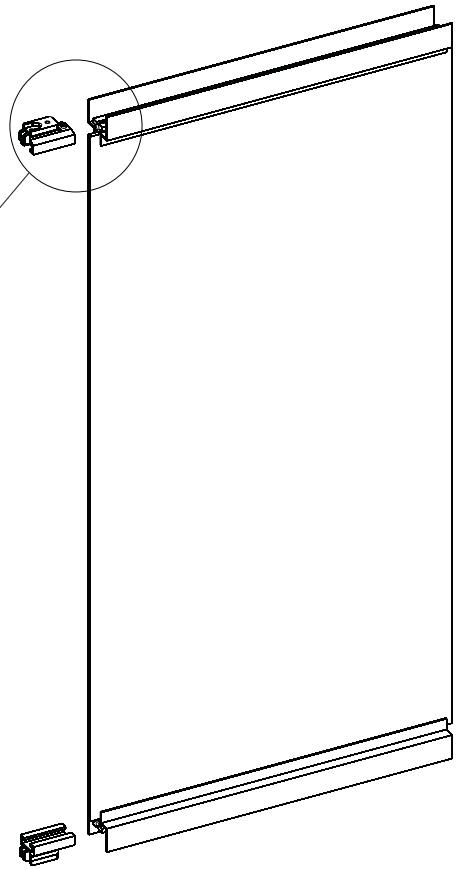
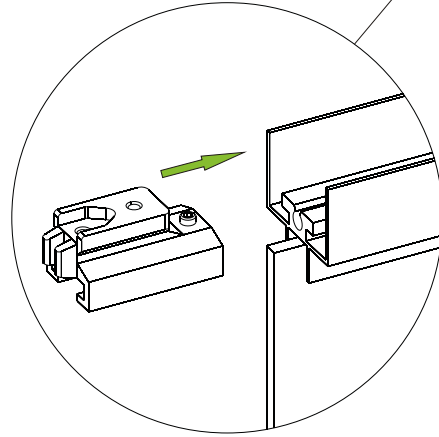
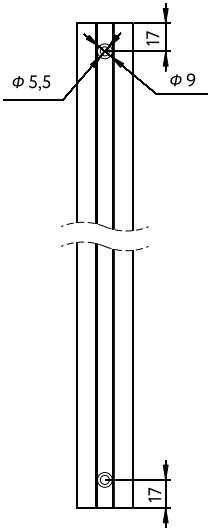


$$L \text{ Door} = L \text{ Doorway} - 20 \text{ mm}$$

$$H \text{ Door} = H \text{ Doorway} - 20 \text{ mm}$$

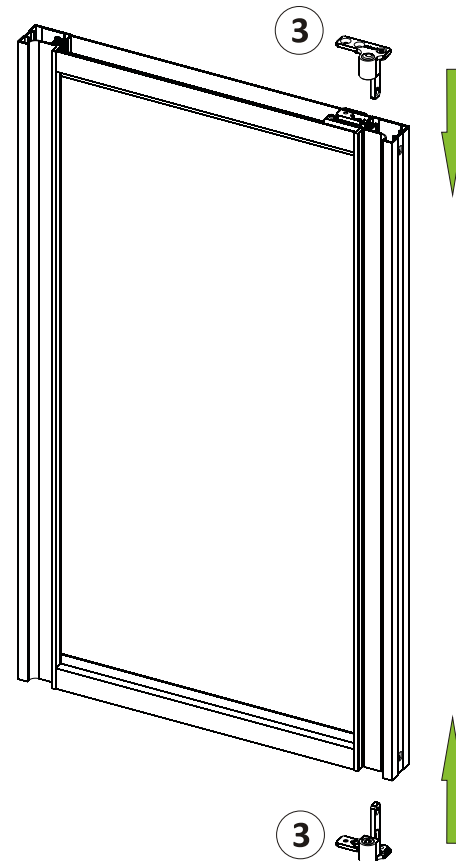
### Step 1.

Install the attachment elements (2) in the top and bottom rail. The picture shows opening on the right side.



### Step 2.

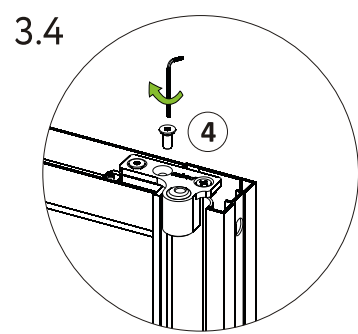
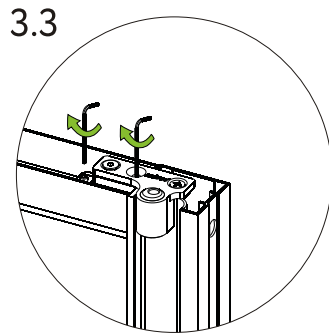
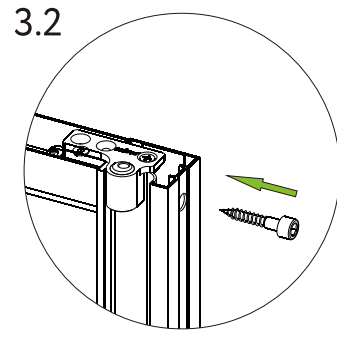
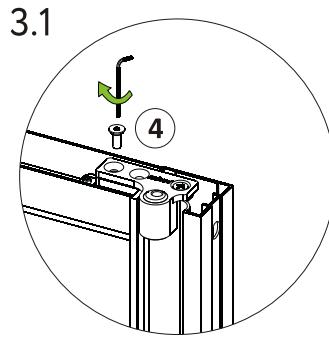
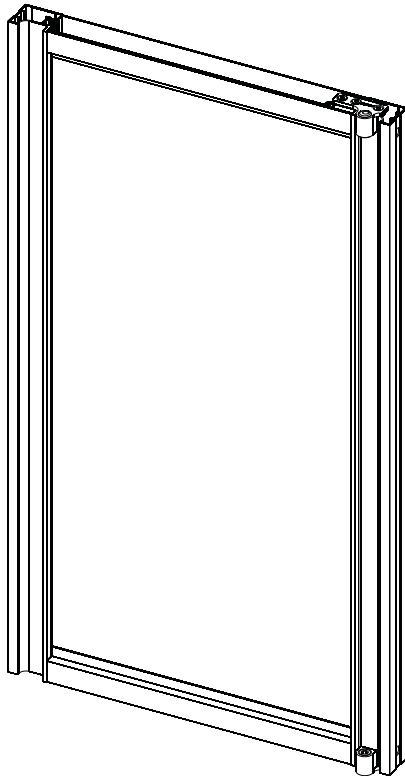
Install the attachment elements (3) in the Stile.



### Step 3.

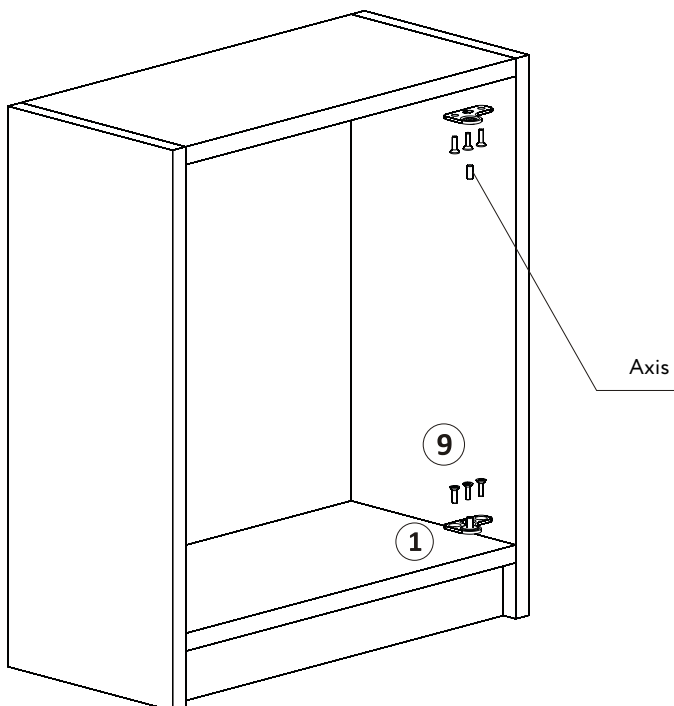
Fix the attachment elements (2) and (3).

- 3.1. Connect both attachment elements (2) and (3) with the screw (4).
- 3.2. Tighten Stile and horizontal Rail with the screw.
- 3.3. Fix the attachment element in the horizontal frame using two allen keys.
- 3.4. Connect both attachment elements using the second screw (4).

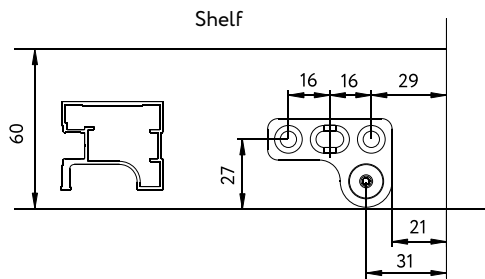


### Step 4.

Install top and bottom pivot system base (1) in a cabinet or doorway. Unscrew the axis from the top Base using an allen key. For installation in a cabinet use euroscrews from the set.

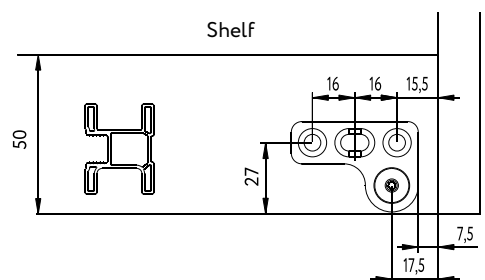


#### Fusion



«blind area» for installation of sliding elements 80 mm

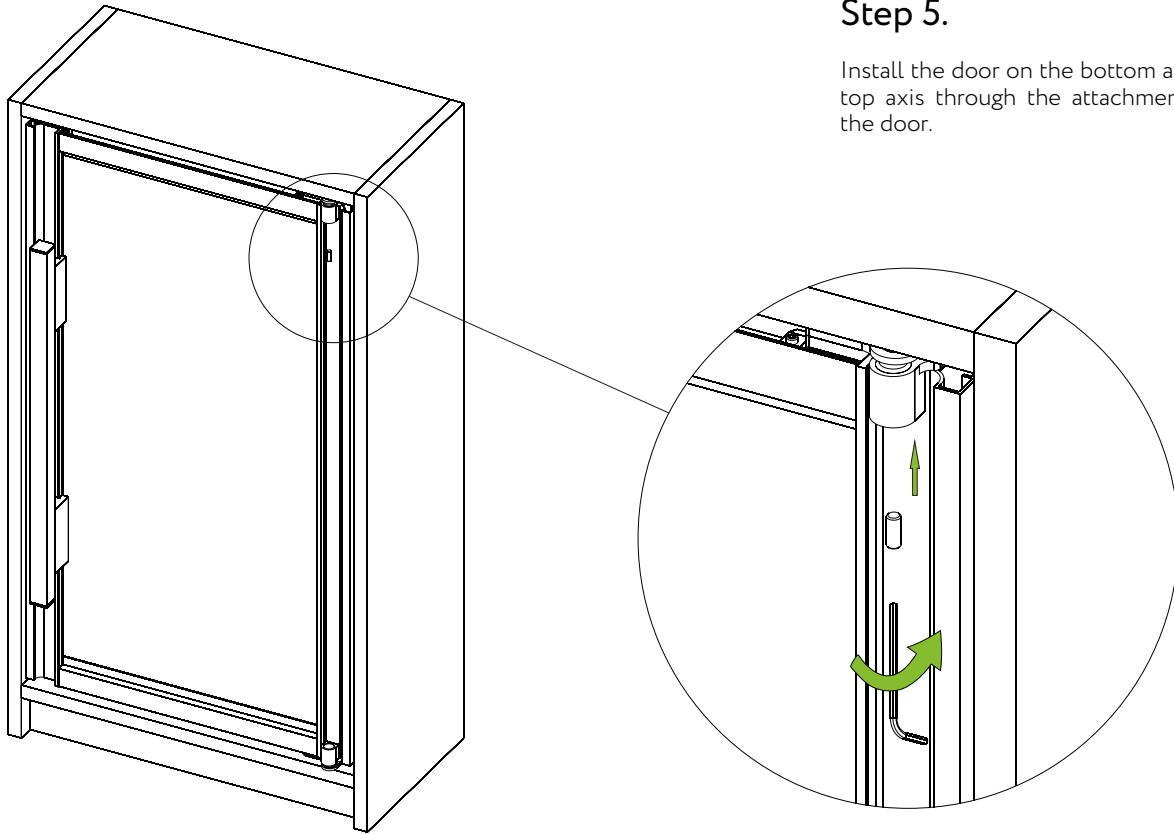
#### Smart



«blind area» for installation of sliding elements 60 mm

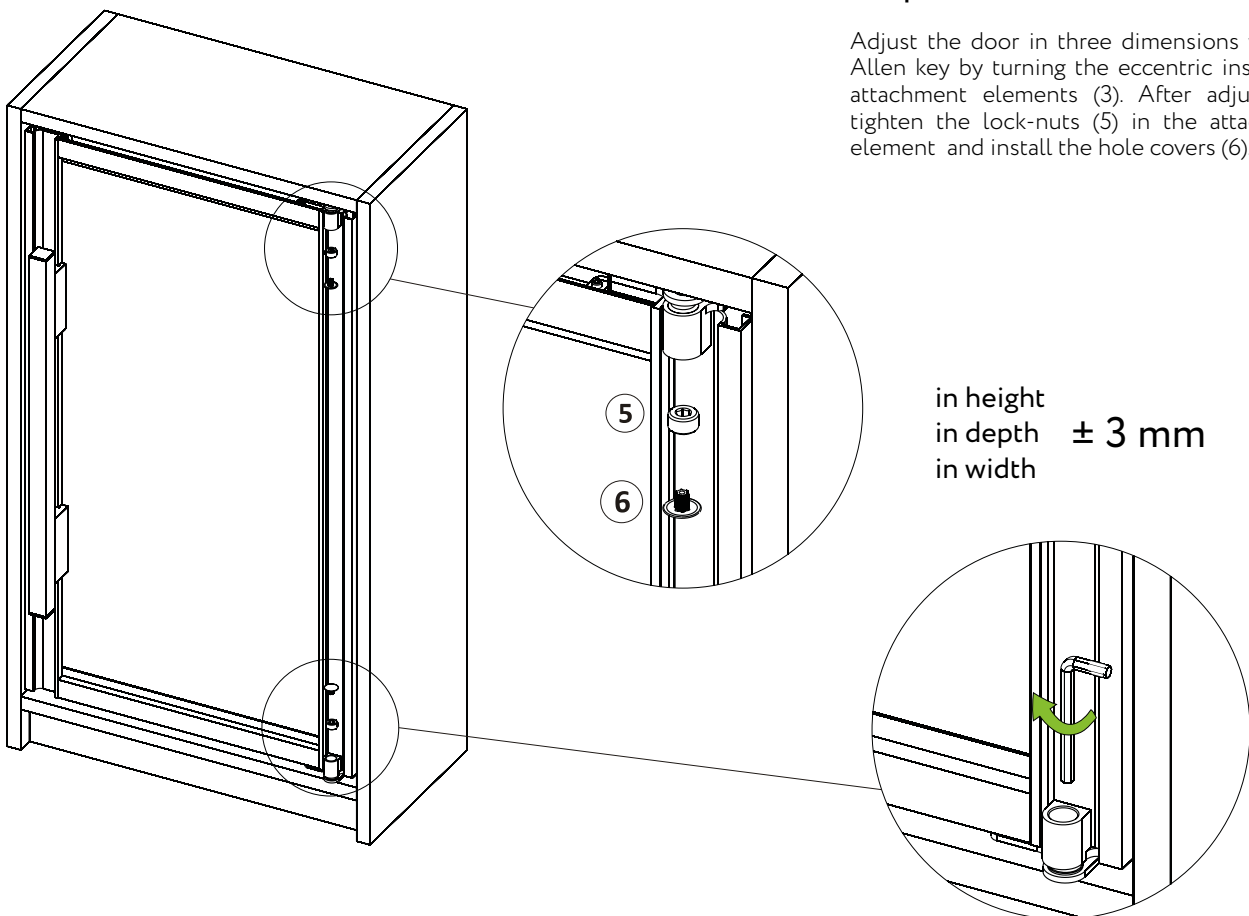
### Step 5.

Install the door on the bottom axis and fix the top axis through the attachment element of the door.



### Step 6.

Adjust the door in three dimensions with an Allen key by turning the eccentric inside the attachment elements (3). After adjustment, tighten the lock-nuts (5) in the attachment element and install the hole covers (6).



## 4 in 1 System Fixed Partition


The system can be used for dividing large rooms into zones. You can fix the partition to the floor and the ceiling, mount it quickly without damaging existing walls and move or dismantle it easily. Our fixed partition is designed to serve as a temporary wall being both safe and practical.



  
**3200 mm**  
Max door  
height

  
**500-1200 mm**  
Door  
width

  
up to **50 kg**  
Door  
weight


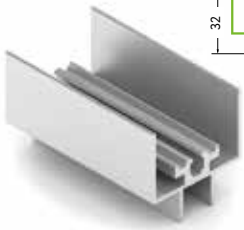




  
Two axis  
adjustment












Interior:  
Style Fusion  
Corner profile  
Mercury Color  
Fixed Partition + Top Hung System



## Fixed Partition System. Profile Range

 <p>FA0413.VP540 <b>Stile Fusion</b> 8/6 pcs per pack</p>	 <p>FA0715.VP500 <b>Universal Top and Bottom Rail</b> 8 pcs per pack</p>	 <p>FA0716.VP500 <b>Dividing Rail</b> 8 pcs per pack</p>	 <p>FA0410.VP500 <b>Top Track</b> 8 pcs per pack</p>
 <p>FA0682.VP508 <b>Top Track Cover</b> 16 pcs per pack</p>	 <p>AS0460.VP540 <b>U Profile</b> 10 pcs per pack</p>	<p>Recommendation: All anodizing and powder coating colors from Standard System EXW China are available.</p>	

## Fixed Partition System. Accessories

 <p>AA0040.VP000.IN0EP.CO <b>Weather Strip Clip 9x5, Inox</b> 100 pcs per pack</p>	 <p>AA0040.VP000.BK000.CO <b>Weather Strip Clip 9x5, Black</b> 100 pcs per pack</p>	 <p>AS0053.VP000 <b>Hole Cover, Self-adhesive</b> Colors: gold, silver, champagne, bronze, black 100 pcs per pack</p>	 <p>AA0084.VM100 <b>Silicon Gasket U Shape, Multi-purpose</b> Colors: black, transparent 4 mm, 100 m/roll</p>
 <p>AA0956.VM200 <b>Weather Strip</b> Height - 5 mm, Width - 9 mm, 200 m/roll</p>	 <p>AA0104.VM200 <b>Weather Strip PU</b> Colors: white, grey, brown, black 200 m/roll</p>	 <p>AA8884.VM200, AA8885.VM240, AA8886.VM250, AA8888.VM320 <b>Silicon Gasket U Shape</b> 4 mm - 200 m/roll 5 mm - 240 m/roll 6 mm - 250 m/roll 8 mm - 320 m/roll</p>	 <p>FX0010.VS000 <b>Leveler</b> Leveler base - top (2 pcs), Leveler base - bottom (2 pcs), adjustable screw (4 pcs), insert - positioner (4 pcs), decorative clap (4 pcs), 40 pcs per pack</p>
 <p>AA0075.VP000, FA0646.VP000 <b>Screw 6x30/6x40</b> 5000 pcs per pack</p>			

## Fixed Partition System. Technical Information

### Permissible size and weight of doors and partitions

	Door Height, mm	Door Width, mm	Door Weight, kgs
4 in 1 Fixed Partition	up to 3200	up to 900	up to 30
4 in 1 Fixed Partition with U-Profile	up to 3200	up to 1200	up to 50

### Fixed Partition System. Panel Size Calculation

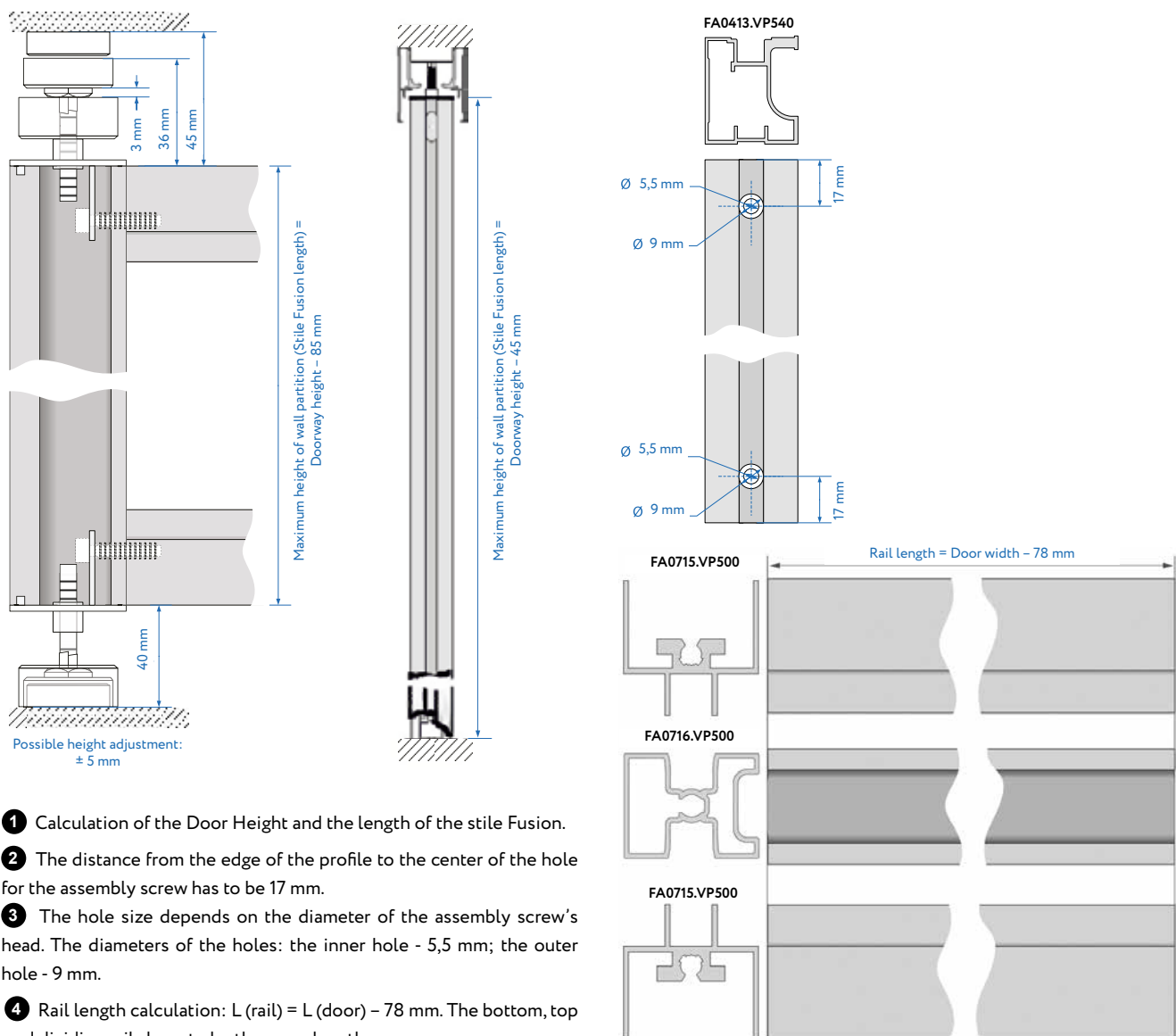
Panel Height Calculation According to the Material Type		
Panels type	Sign	Formula
Chipboard, 10 mm	<b>Hp</b>	$H_p = H_d - 44 \text{ mm}$
Chipboard, 8 mm	<b>Hp</b>	$H_p = H_d - 46 \text{ mm}$
Glass / Mirror, 4 mm	<b>Hp</b>	$H_p = H_d - 47 \text{ mm}$

Panel Width Calculation According to the Material Type		
Panels type	Sign	Formula
Chipboard, 10 mm	<b>Lp</b>	$L_p = L_d - 60 \text{ mm}$
Chipboard, 8 mm	<b>Lp</b>	$L_p = L_d - 62 \text{ mm}$
Glass / Mirror, 4 mm	<b>Lp</b>	$L_p = L_d - 63 \text{ mm}$

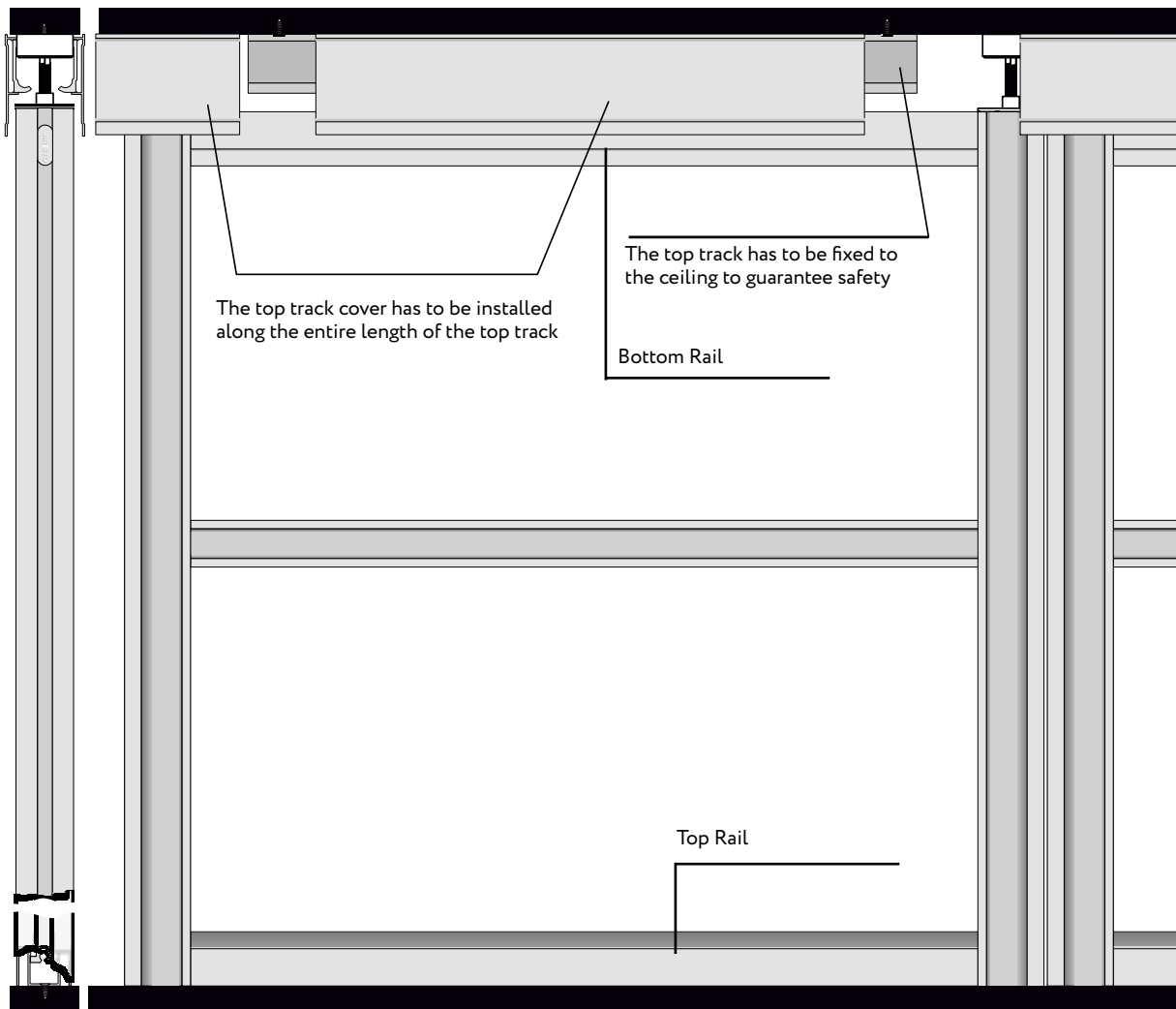
### Dividing Rail

One dividing rail reduces height and width of the panel in possible combinations to the following values:		
Chipboard (10 mm) / Chipboard (10 mm)	Chipboard (8 mm) / Chipboard (8 mm)	Mirror (4 mm) / Mirror (4 mm)
<b>8 mm</b>	<b>10 mm</b>	<b>11 mm</b>
Chipboard (10 mm) / Chipboard (8 mm)	Chipboard (10 mm) / Mirror (4 mm)	Chipboard (8 mm) / Mirror (4 mm)
<b>9 mm</b>	<b>9,5 mm</b>	<b>10,5 mm</b>

### Fixed Partition System. Profile Length Calculation



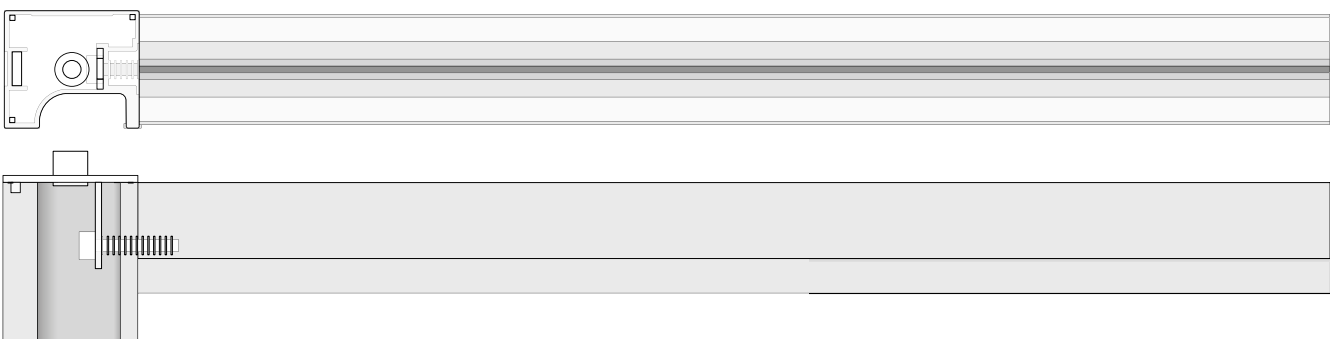
- 1 Calculation of the Door Height and the length of the stile Fusion.
- 2 The distance from the edge of the profile to the center of the hole for the assembly screw has to be 17 mm.
- 3 The hole size depends on the diameter of the assembly screw's head. The diameters of the holes: the inner hole - 5,5 mm; the outer hole - 9 mm.
- 4 Rail length calculation:  $L(\text{rail}) = L(\text{door}) - 78 \text{ mm}$ . The bottom, top and dividing rails have to be the same length.



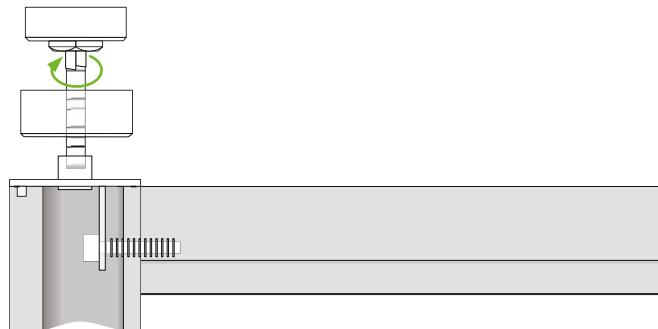
U-profile (AS0460.VP540) - Rail length - 50 mm

Fixed Partition System. Assembly and Installation Guide

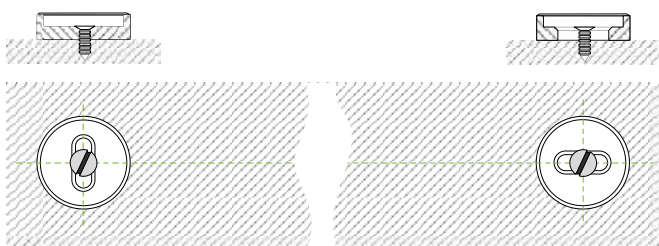
- 1 Attach the top rail to the panel.
- 2 Attach the bottom rail to the panel.
- 3 Mark hole locations on the stile Fusion. Drill the holes in the marked locations if you use a dividing rail. The diameters of the holes are the same as the ones for mounting the top and bottom rails. Attach the dividing rail to the panel.
- 4 Install the stiles Fusion on the panel. Use a rubber mallet to attach the profiles to the panel. After all the profiles have been attached to the door, they have to be fixed with assembly screws through the prepared mounting holes. The force (torque) must not exceed 3,5 Nm.



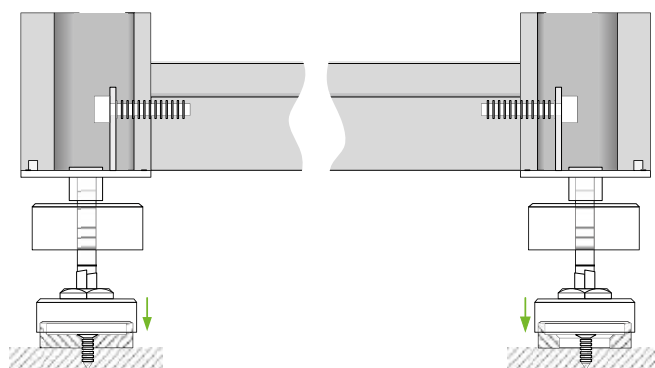
5 Install the adjustable legs with their decorative covers after the rails have been connected to the stiles Fusion.



6 Mark the chosen locations on the floor with a pencil to place the positioners of the adjustable leg. Remove the fixed partition and fix the positioners to the floor.



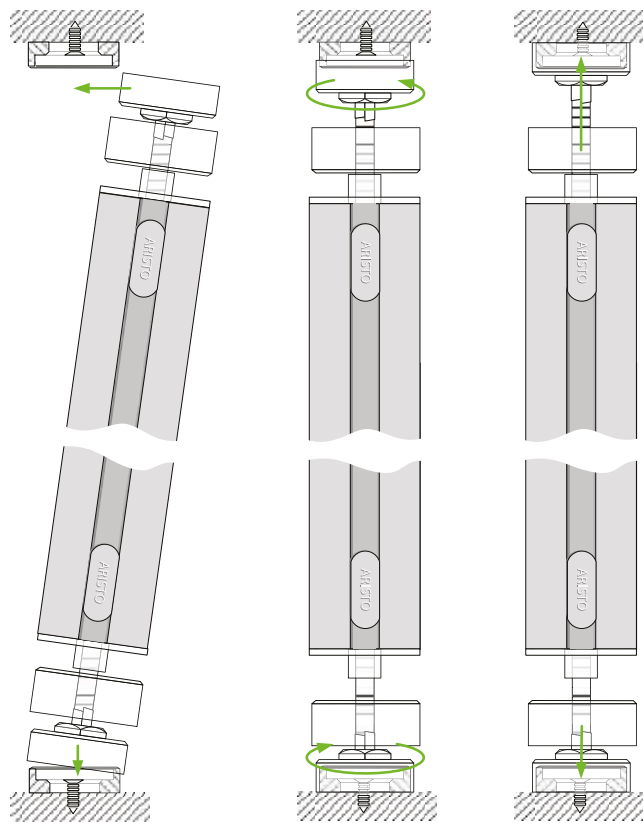
7 Install the fixed partition so that the positioners are inside of the adjustable legs.



8 Use a spirit level to align the fixed partition vertically.

9 Mark the chosen locations on the ceiling with a pencil to place the positioners of the adjustable leg. Remove the fixed partition and fix the inserts to the ceiling.

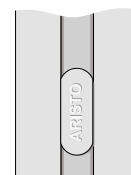
10 Install the fixed partition as shown in the picture.



11 Install the fixed partition so that the positioners are inside of the adjustable legs. At the same time adjust the height and the alignment of the partition.

12 Install the decorative covers on the adjustable leg.

13 For hiding the assembly holes on the stiles, use hole covers.



**It is not allowed to use as panels the plate materials prone to bending.**

Materials prone to bending: chipboard with a violation of production technology, any materials stored not on a flat surface or also transportable, MDF, materials with different back and front coatings, materials with adhesive coatings (glue warps the material), etc.

It is also important to take into account the operating conditions – temperature and humidity changes, high humidity, proximity of infrared radiation sources. A possible consequence of installing materials prone to bending is vertical or horizontal deformation of the door during operation.

NEW

## GRACE System

The system is an ideal interior solution for dividing space with transparent or translucent partitions. The main advantage is the narrow vertical profile, only 12 mm wide. When opened, the doors are hidden completely one after another. The absence of a bottom track creates the effect of no obstacles on the floor. Thanks to modern rollers with a high-quality bearing system and a soft closer, the doors move easily, softly and silently. The GRACE system with glass inserts creates a feeling of lightness and space in the room.



Interior:  
GRACE system  
Black Sandy Color  
Top Hung System

NEW

## GRACE System Top Hung System

The main advantage of the top hung system is the absence of a bottom track, thanks to which the doors can be used as interior ones. There are two types of mounting – to the ceiling or to the wall. The maximum door weight is 60 kg. The system can be supplemented with a sequential or synchronous opening mechanism – by pulling one door, the second one moves automatically.



  
**3200<sub>mm</sub>**  
Max door  
height

  
**500-1200<sub>mm</sub>**  
Door  
width

  
up to **60<sub>kg</sub>**  
Door  
weight

  
Soft closer  
for smooth door  
closing

  
Two axis  
adjustment



Sequential  
synchronous door  
opening



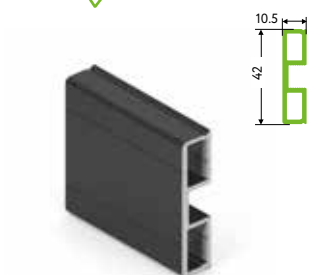
Synchronous  
door opening

Interior:  
GRACE system  
Black Sandy Color  
Top Hung System

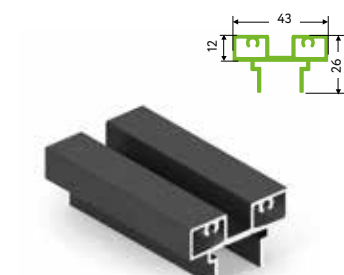


GRACE System. Profile range

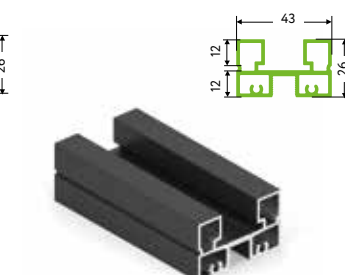
NEW



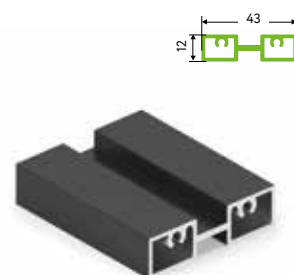
OP0738.VP540  
**Stile GRACE**  
10 pcs per package



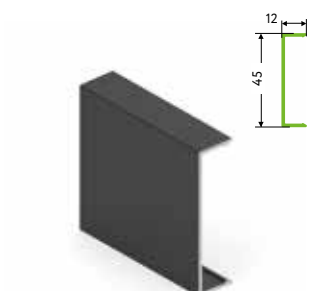
OP0787.VP540  
**Bottom rail**  
10 pcs per package



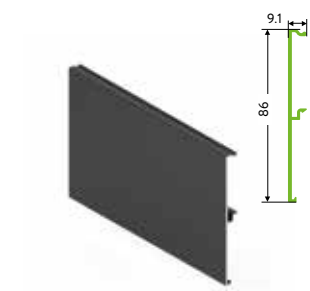
OP0788.VP540  
**Top rail**  
10 pcs per package



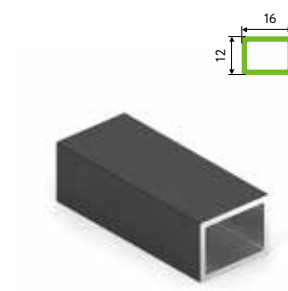
OP0789.VP540  
**Dividing rail**  
10 pcs per package



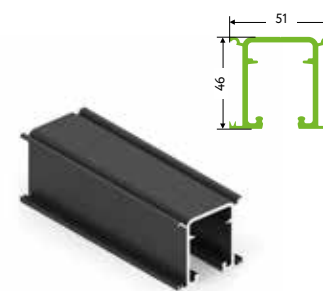
OP0739.VP540  
**Vertical profile cover**  
10 pcs per package



OP0846.VP540  
**Decorative cover**  
10 pcs per package



OP0790.VP540  
**Adhesive divider**  
10 pcs per package



OP0847.VP540  
**Top track**  
10 pcs per package

GRACE System. Accessories

NEW



OP0012.VR000  
**Synchronous mechanism**  
In the set: roller - 2 pcs; left belt fastener - 1 pc; right belt fastener - 1 pc; belt - 10 m; screw - 2 pcs.  
1 set per package  
Color: black



OP0011.VR000  
**Sequential mechanism**  
In the set: suspension - 2 pcs; washer with screw - 2 pcs; installation screw - 4 pcs; left belt fastener - 1 pc; right belt fastener - 1 pc; belt - 3 m; roller - 2 pcs; screw M4x10 - 2 pcs; screw M4x8 - 2 pcs.  
1 set per package  
Color: black



OP0010.VR000  
**Sequential system belt retainer**  
In the set: bracket - 1 pc; belt clip with plate - 1 pc; self-tapping screw - 2 pcs; screw - 2 pcs; installation screw - 2 pcs.  
1 set per package  
Color: black



OP0003.VR000  
**Sequential mechanism roller**  
In the set: roller - 1 pc; screw - 1 pc.  
1 set per package  
Color: black



OP0008.VR000  
**Soft closer GRACE**  
In the set: soft closer - 1 pc; mounting plate with screws - 1 pc.  
1 set per package  
Color: zinc



OP0006.VP000  
**Top roller**  
1 pc per package



OP0002.VP000  
**Bottom roller**  
1 pc per package  
Color: black



OP0020.VP000  
**Bottom roller adjustment plate**  
1 pc per package  
Color: black



OP0005.VR000  
**Top hang**  
In the set: bracket - 2 pcs; washer with screw - 2 pcs; installation screw - 4 pcs.  
30 sets per package  
Color: black



OP0001.VR000  
**Vertical profile plug**  
In the set: lower - 2 pcs; upper - 2 pcs.  
30 sets per package  
Color: black



OP0004.VP000  
**Top track suspension**  
In the set: bracket - 1 pc; nut - 2 pcs; screw - 2 pcs.  
30 sets per package  
Color: black



OP0009.VP000  
**Positioner for top hung system**  
30 pcs per package  
Color: black



OP0007.VP000

**Top track end cover joint**

In the set: corner - 1 pc; installation screw - 2 pcs.  
30 sets per package  
Color: black



OP0430.VP000.ZN0EP.CH (4 x30 mm)

**Self-tapping screw with countersunk head**

300 pcs per package



NEW

AA0037.VP000

**Overhead Handle**

180x40x10 mm  
Colors: silver matt, white matt, champagne matt, black matt, champagne glossy, gold glossy



AV0064.VM100, AV0063.VM100, AV0069.VM100

**Gasket U shape, PVC, low, 4 mm, 5 mm, 8 mm**

Color: transparent, black  
100 m/roll



AA0104.VM200

**Weather Strip PU**

Colors: white, grey, brown, black  
200 m/roll



AA0956.VM200

**Weather Strip, 9x5**

Height - 5 mm, Width - 9 mm, 200 m/roll



AA8884.VM200, AA8885.VM240, AA8886.VM250, AA8888.VM320

**Silicon Gasket U Shape**

4 mm - 200 m/roll  
5 mm - 240 m/roll  
6 mm - 250 m/roll  
8 mm - 320 m/roll



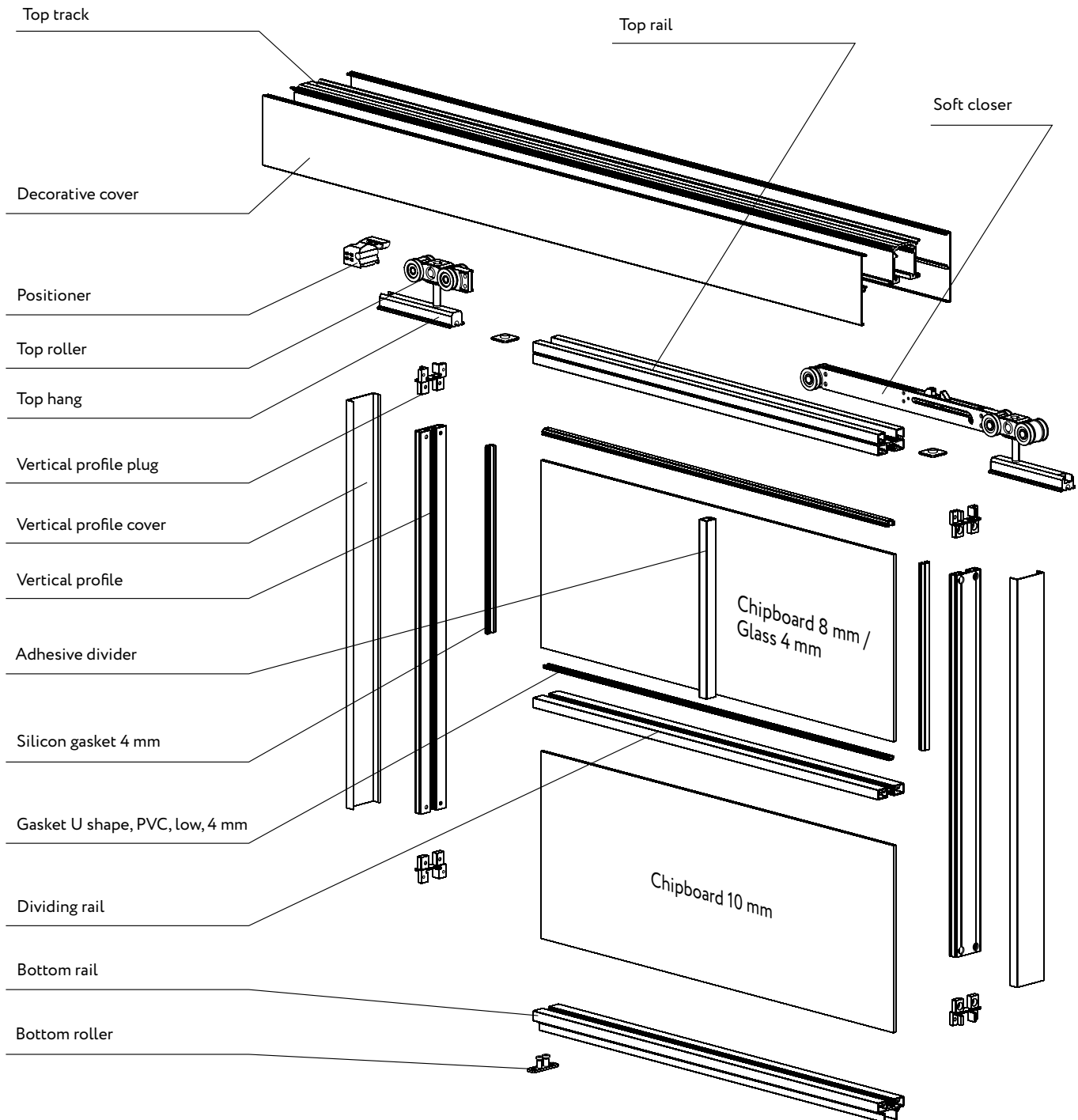
Recommended sizes and weights of doors and partitions

	Door height, mm	Door width, mm	Door weight, kg
Top hung sliding partition with soft closer*	up to 3200	600-1200	up to 60
Top hung sliding partition w/o soft closer*	up to 3200	500-1200	up to 60

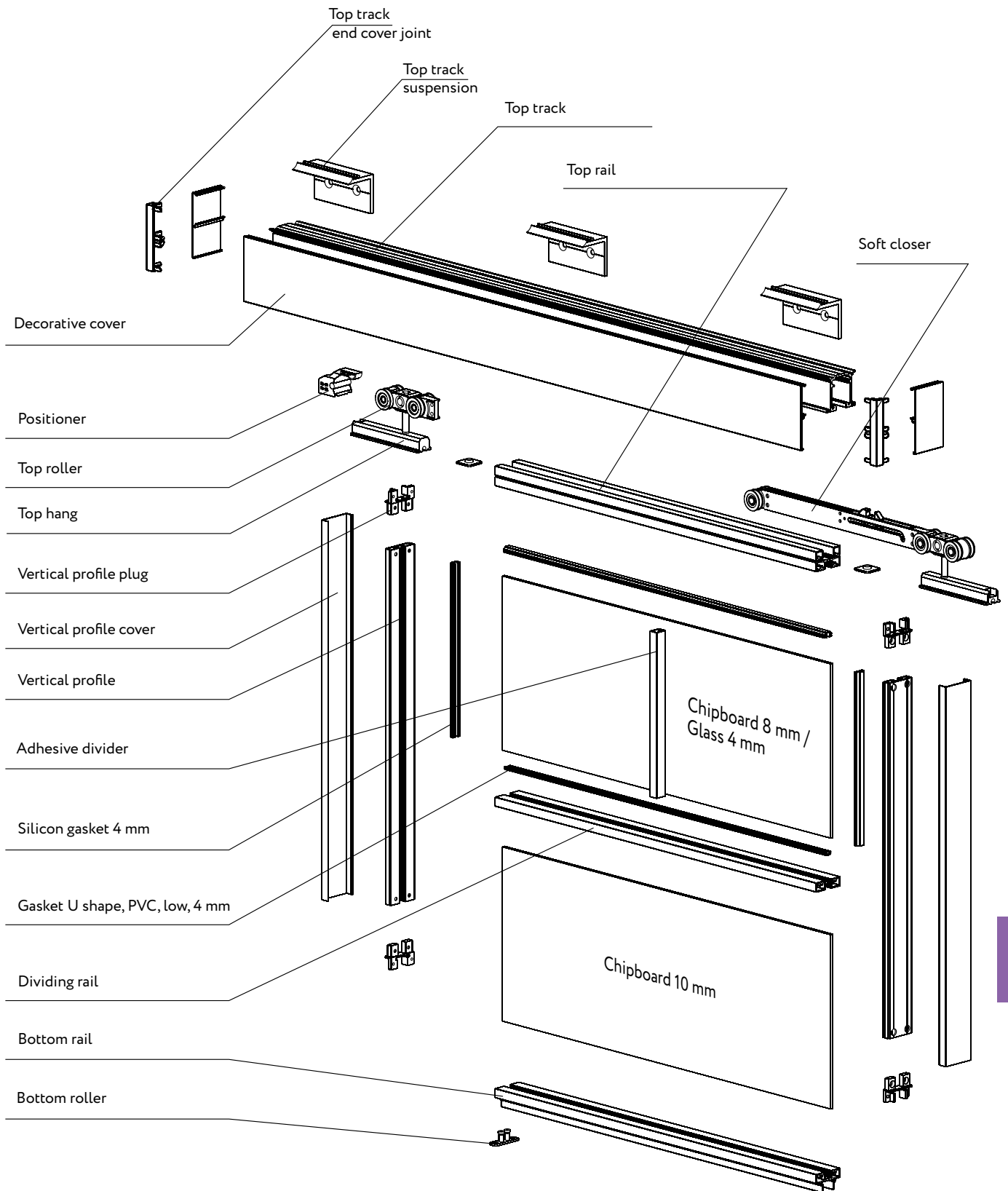
\*The permissible height-to-width ratio for sliding doors and partitions is no more than 4/1 (the recommended one is 3/1)

The minimal width of the door for installing one soft closer is 600 mm. The minimal width of the door for installing two soft closers is 900 mm. For installing top hung system with the synchronous opening mechanism and total weight of doors less than 80 kg use 1 soft closer. If the weight of doors is more than 80 kg, use two soft closers in one direction.

Door assembly scheme (ceiling mount)



Door assembly scheme (wall mount)



Door sizes calculation according to the doorway parameters for sliding system		
Name	Sign	Formula
Door height / Vertical profile cover	Hd	Hd = Hdw - 82 mm
Vertical profile	Hprof	Hprof = Hdw - 32 mm

Door width calculation			
Mode	Top view	Door width w/o weather strip	Door width w/ weather strip
Single-door wall-mounted		$Ld = Ldw + 24 \text{ mm}$	$Ld = Ldw + 24 \text{ mm}$
Two-door wall-mounted		$Ld = Ldw/2 + 12 \text{ mm}$	$Ld = (Ldw - 10 \text{ mm})/2 + 12$
Two-doors in the doorway		$Ld = (Ldw + 12 \text{ mm})/2$	$Ld = (Ldw + 2 \text{ mm})/2$
Sequential opening, rollback behind the doorway		$Ld = (Ldw + 12x(N - 1) + 12 \text{ mm})/N$	$Ld = (Ldw + 12x(N - 1) + 7 \text{ mm})/N$
Sequential opening in the doorway		$Ld = (Ldw + 12x(N - 1))/N$	$Ld = (Ldw + 12x(N - 1) - 10 \text{ mm})/N$
Four-doors in the doorway		$Ld = (Ldw + 24 \text{ mm})/4$	$Ld = (Ldw + 9 \text{ mm})/4$

Horizontal profiles length calculation		
Name	Sign	Formula
Length of top (dividing, bottom) rails	Lr	$Lr = Ld - 24 \text{ mm}$

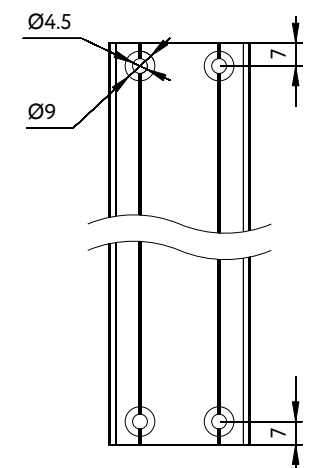
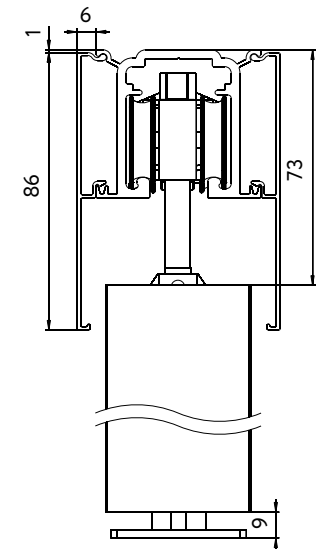
Calculation of panel height according to the type of panel		
Panel type	Sign	Formula
Chipboard, 10 mm	Hip	$Hip = Hd - 33 \text{ mm}$
Chipboard, 8 mm	Hip	$Hip = Hd - 35 \text{ mm}$
Glass/mirror, 4 mm	Hip	$Hip = Hd - 36 \text{ mm}$

Calculation of panel width according to the type of panel		
Panel type	Sign	Formula
Chipboard, 10 mm	Lip	$Lip = Ld - 8 \text{ mm}$
Chipboard, 8 mm	Lip	$Lip = Ld - 10 \text{ mm}$
Glass/mirror, 4 mm	Lip	$Lip = Ld - 11 \text{ mm}$

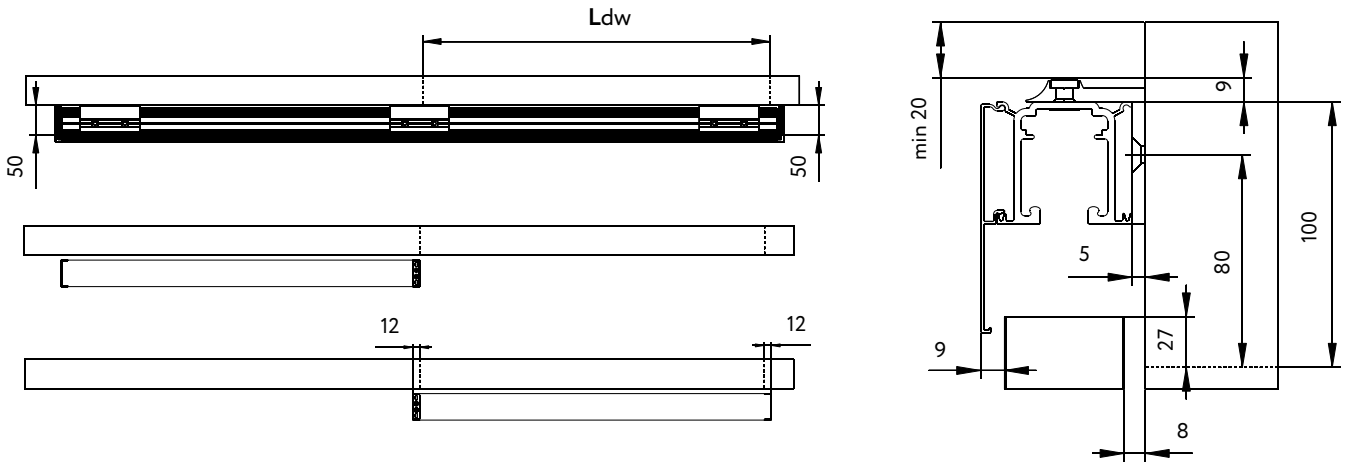
**Dividing rail**

One dividing rail reduces height and width of the panel in the possible combinations by the following values:		
Chipboard (10 mm) / Chipboard (10 mm)	Chipboard (8 mm) / Chipboard (8 mm)	Mirror (4 mm) / Mirror (4 mm)
<b>2 mm</b>	<b>4 mm</b>	<b>5 mm</b>
Chipboard (10 mm) / Chipboard (8 mm)	Chipboard (10 mm) / Mirror (4 mm)	Chipboard (8 mm) / Mirror (4 mm)
<b>3 mm</b>	<b>3.5 mm</b>	<b>4.5 mm</b>

Name	Sign
Doorway height	Hdw
Doorway width	Ldw
Door height	Hd
Door width	Ld
Panel height	Hip
Panel width	Lip
Length of top (dividing, bottom) rails	Lr
Number of doors	N
Profile height	Hprof

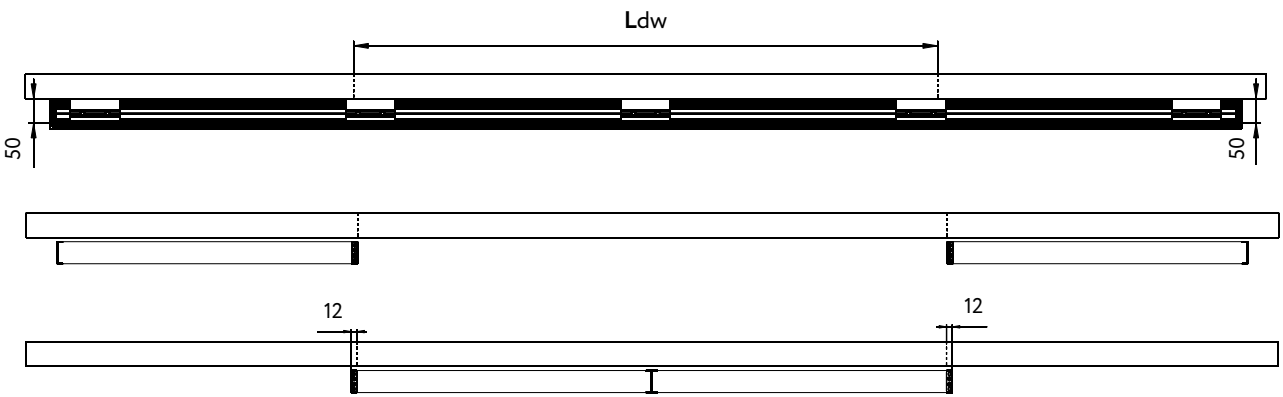


Single-door wall-mounted



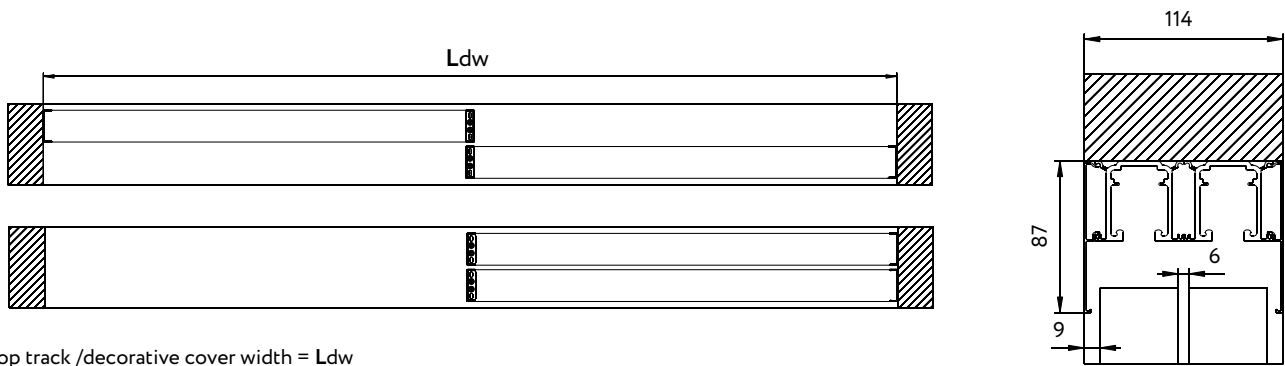
Top track /decorative cover width =  $2 \times Ldw + 36$  mm (1 pc each)  
 Cover width = 50 mm (2 pcs)

Two-door wall-mounted



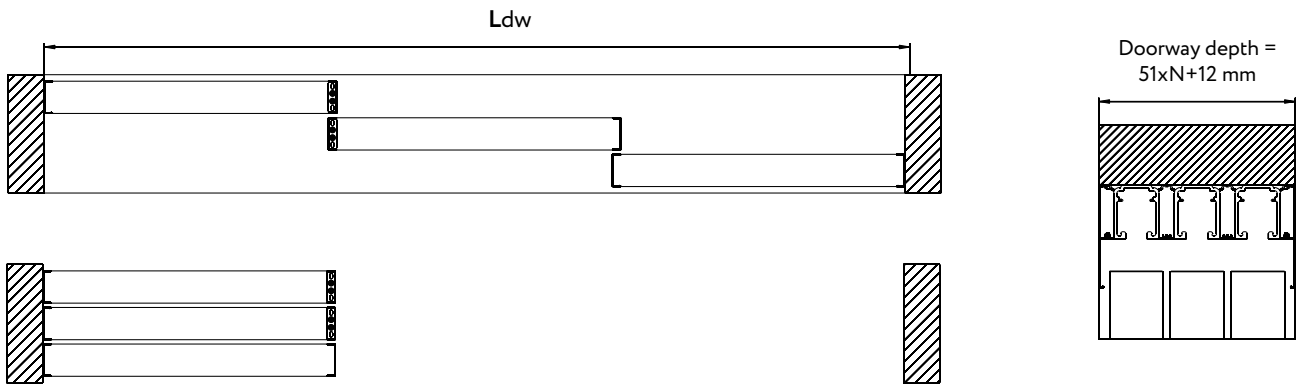
Top track /decorative cover width =  $2 \times Ldw + 24$  mm (1 pc each)  
 Cover width = 50 mm (2 pcs)

Two-doors in the doorway



Top track /decorative cover width =  $Ldw$

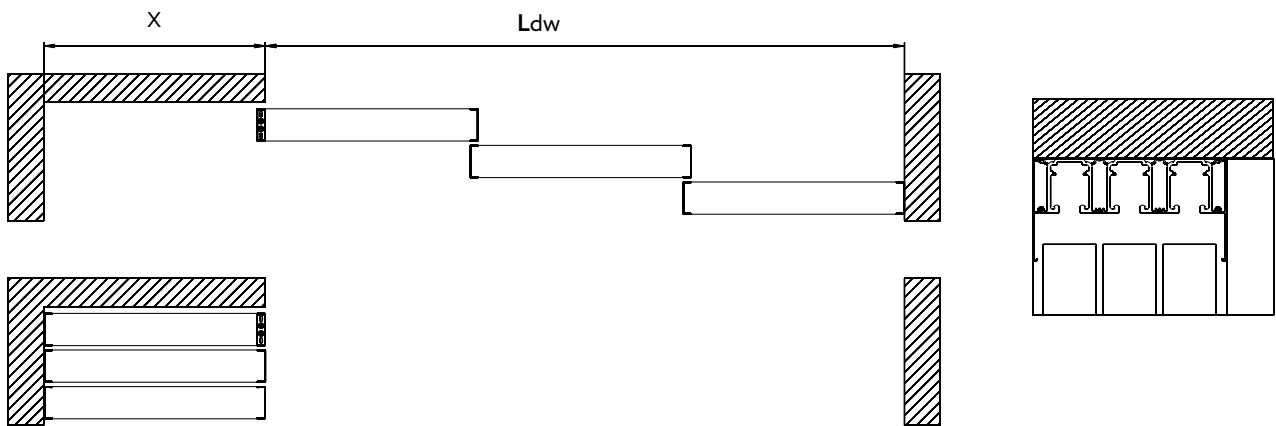
**Sequential opening (doors in the doorway)**



Top track /decorative cover width =  $Ldw$

There is shown the installation of three doors, the last door is active. The number of doors for this installation option is not limited. The last door can be active or stationary.

**Sequential opening (rollback behind the doorway)**

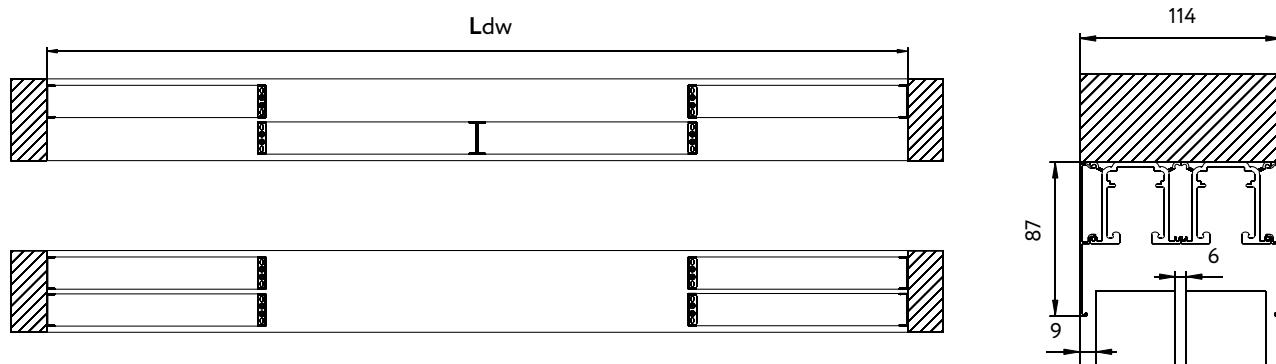


$\min X = Ldw$

Top track /decorative cover width =  $Ldw + X$

There is shown the installation of three doors. The number of doors for this installation option is not limited.

**Four-doors in the doorway**

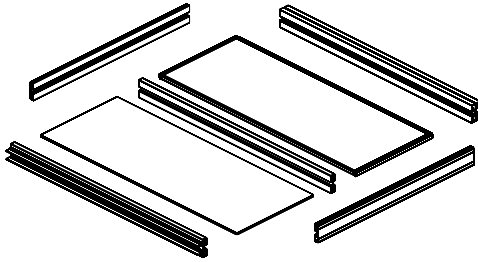


Top track /decorative cover width =  $Ldw$

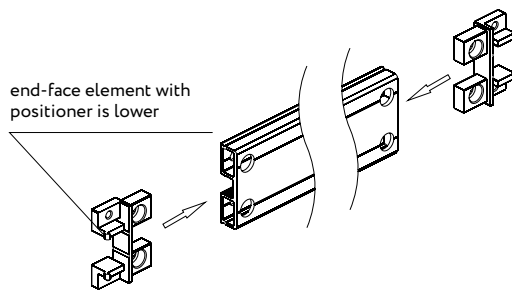
There is shown the installation with all doors active. The outer doors can be stationary.

## Door assembly

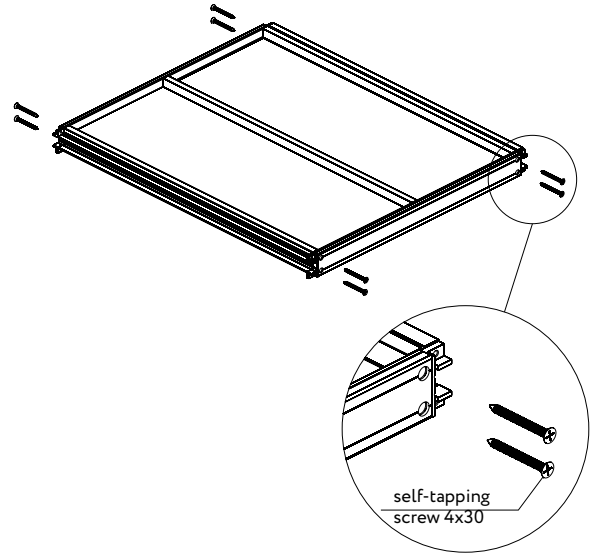
1 Cut the profile and the insert according to the design using the calculation table. After this, place the appropriate gasket on the door insert with a thickness of 4 mm or 8 mm.



2 Drill the vertical profile and install the end piece into the edges.



3 Place all the profiles on the insert. Fix the vertical profile to the frames with 4x30 self-tapping screws.

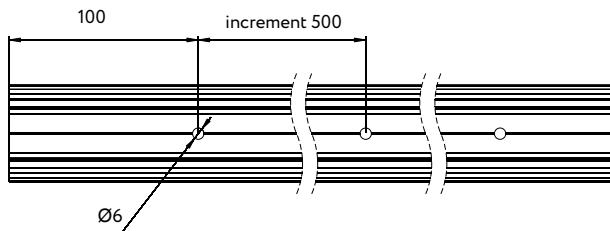


We recommend tightening all horizontal frames with a vertical profile.

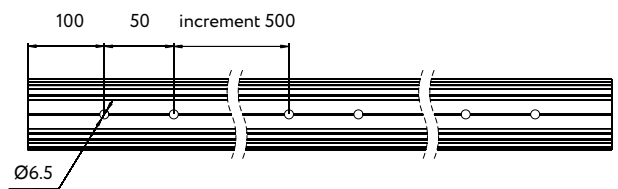
## Door installation

1 Mark and drill holes in the track.

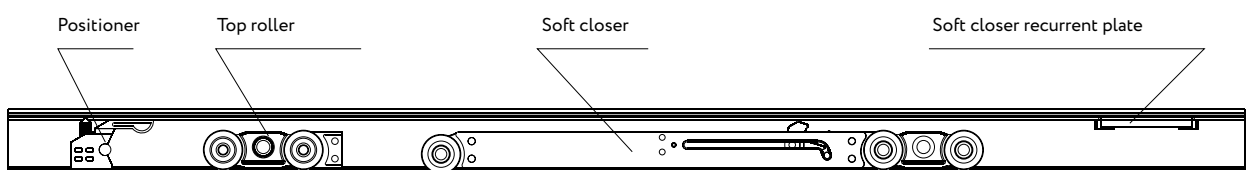
Mounting in the opening



Wall mounting



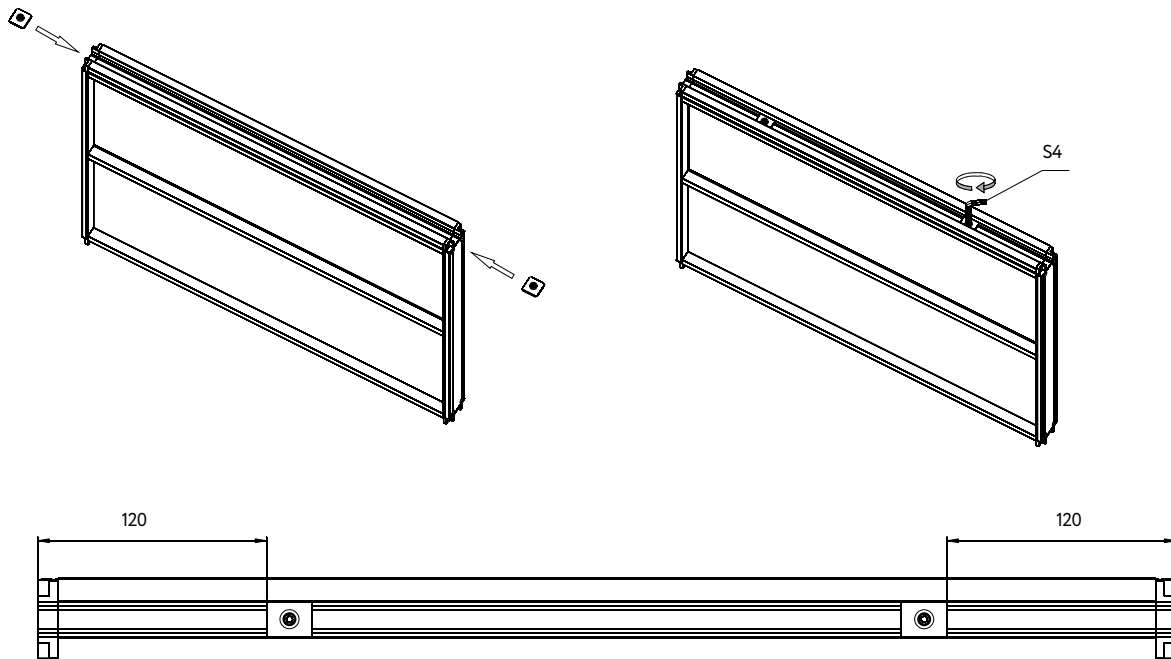
2 Place the accessories into the track and secure the track to the wall. The positioner is installed on the side of the door where there is no soft closer.



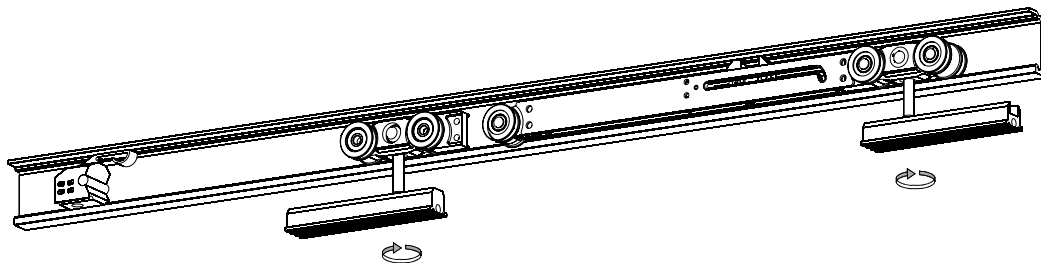
Be sure to cock the soft closer before installation in the track.



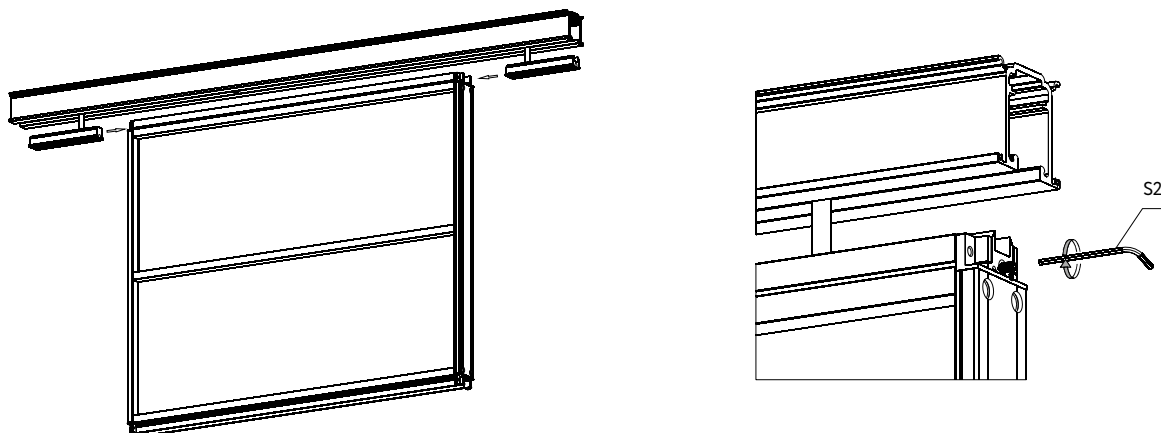
- 3 Install and secure the fastening positioners for the top roller in the upper door frame with a hex key.



- 4 Screw the top roller mounts a few turns into the accessories in the top track. Leave in the position as shown in the picture.

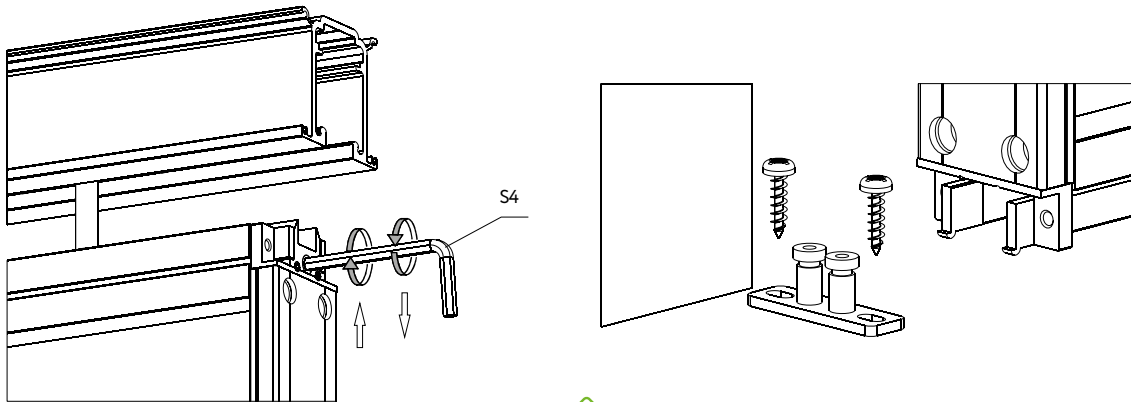


- 5 Place the fasteners into the upper door frame. If necessary, lift the edge of the door. Secure the fasteners with the set screws using a hex wrench.



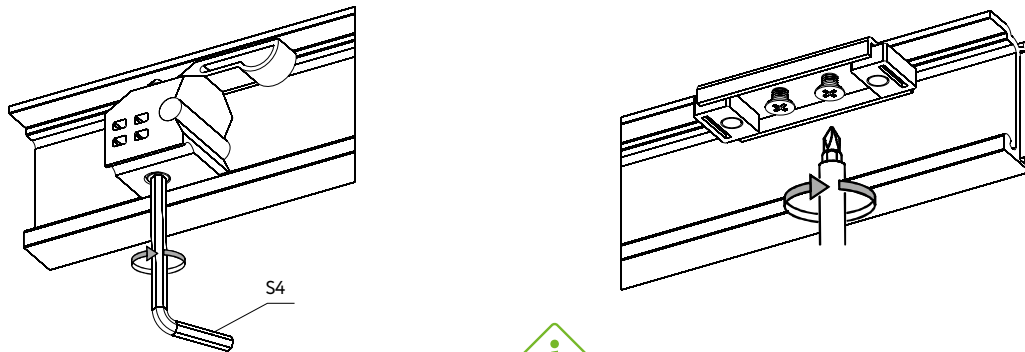
## Door installation

- 6 Adjust the door height. Mark and screw the bottom roller to the floor. The position of the roller is shown in the design installation options.



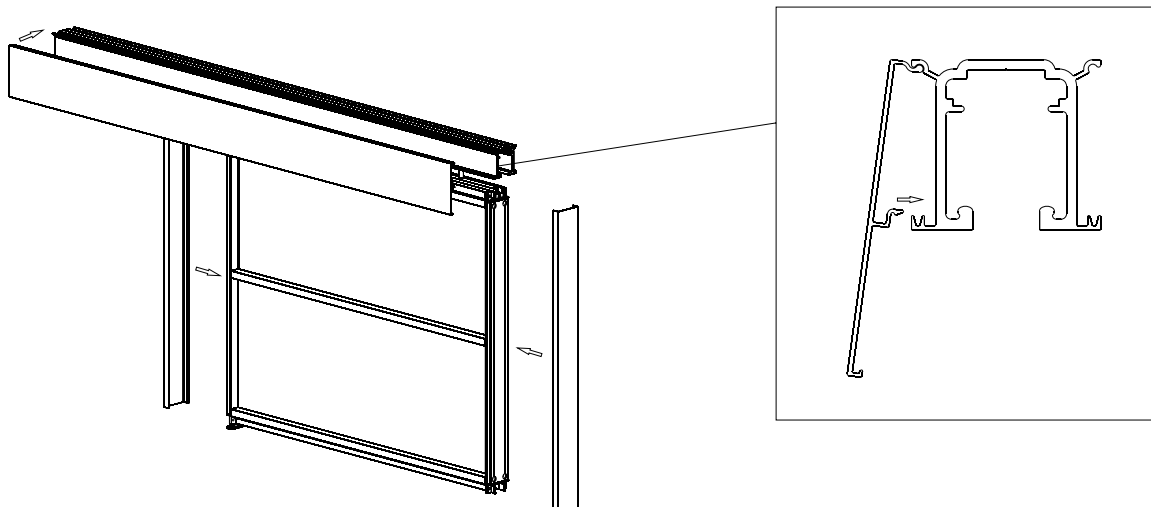
Adjustment range  $\pm 5$  mm in height

- 7 Fix the positioner and the soft closer recurrent plate in the track, having previously determined their position.



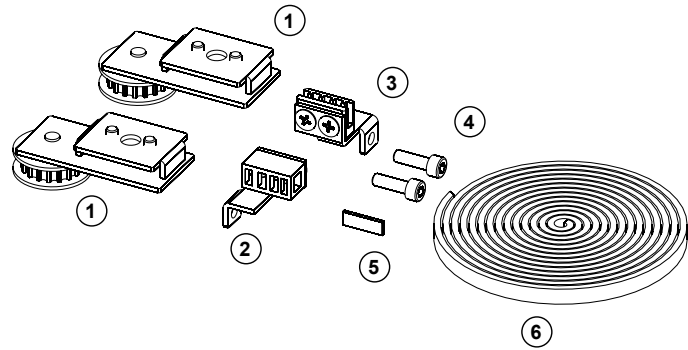
We recommend installing the recurrent plate after fixing the track.

- 8 Put on the decorative covers of the vertical profile and the top track cover.



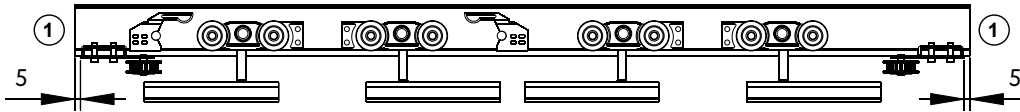
## Installation of synchronous mechanism on top hung doors

1. Side pulley for the track
2. Belt connector
3. Belt retainer
4. Screws
5. Plate
6. Belt



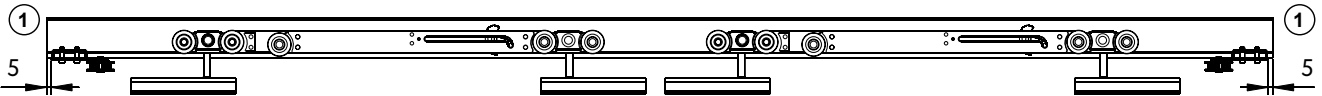
- 1** Place the accessories into the track. Fix the track to the ceiling or wall.

### Doors without soft closer



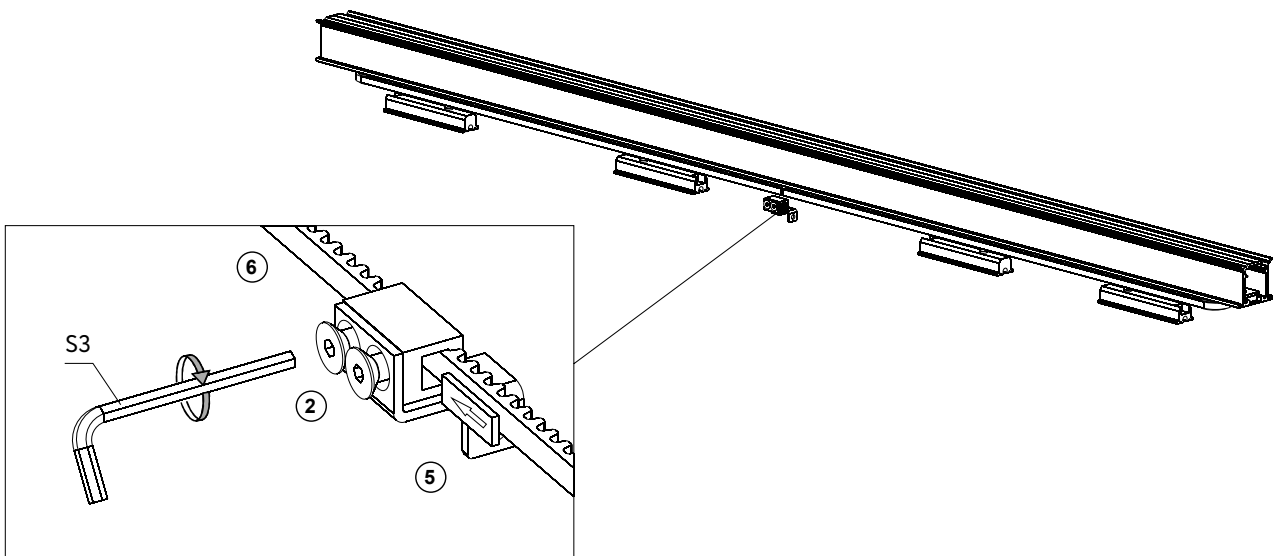
For doors without a soft closer with a synchronous opening mechanism, the blind zone when opening doors is 25 mm.

### Doors with soft closer

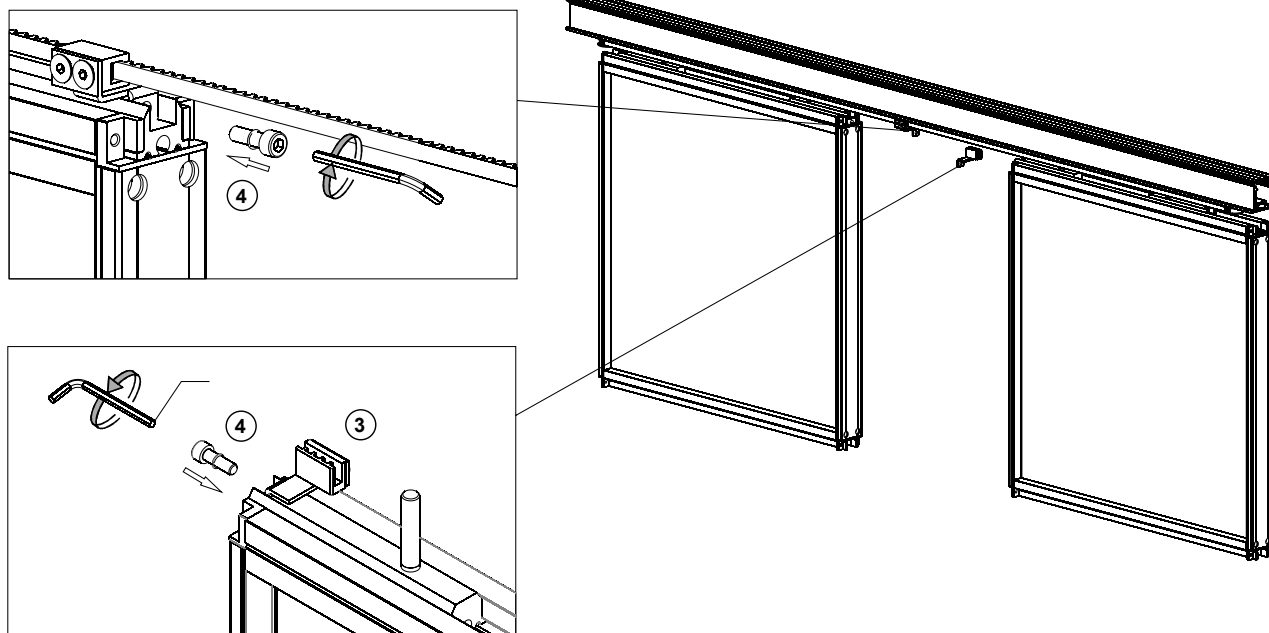


Be sure to cock the soft closer before installation in the track.

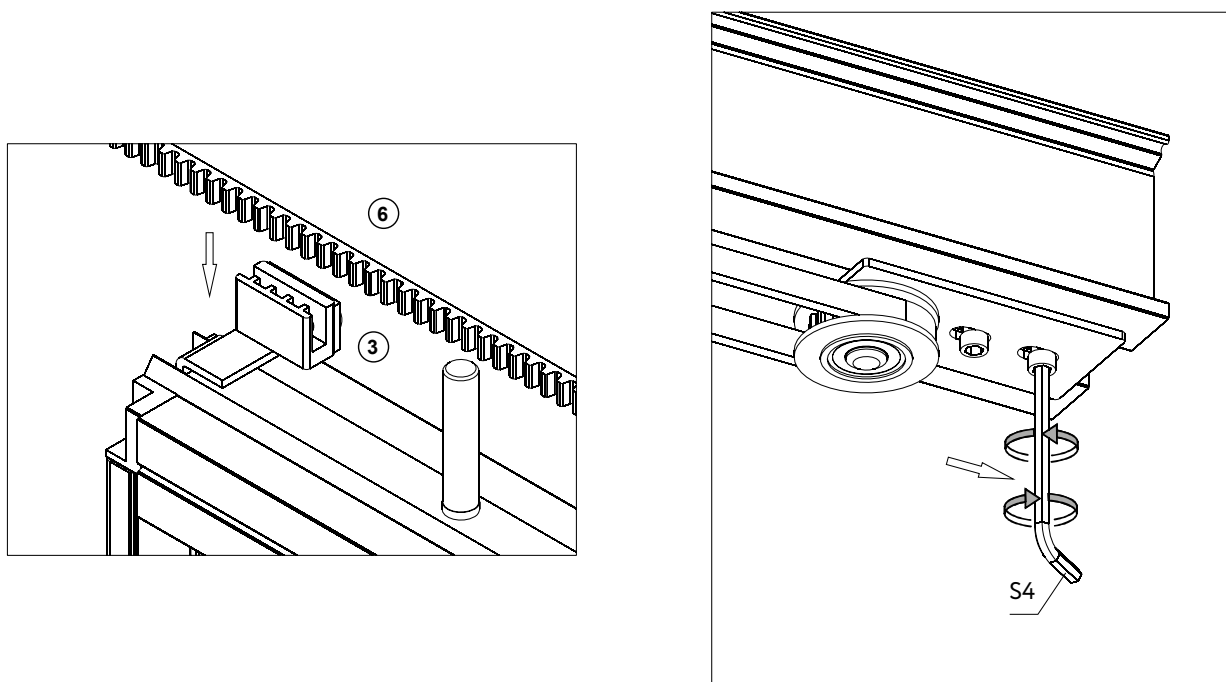
- 2** Pass the belt around the rollers, cut off the required amount and secure both edges of the belt in the retainer using a plate. The belt is clamped in the retainer without overlapping.



3 Hang and adjust doors. Fix the two belt retainers to the mortgages.



4 Position the doors in the center and place the belt inside the connector. If necessary, adjust the belt tension by moving the roller. Adjust soft closers, positioners and install decorative covers.



NEW

## GRACE System Fixed Partition

The system is suitable for dividing space and zoning rooms. The partition is attached between the floor and the ceiling, is quickly installed without damaging the walls and can be easily moved or dismantled. The design serves as a mobile wall, is safe and practical.



  
**3200 mm**  
Max door  
height

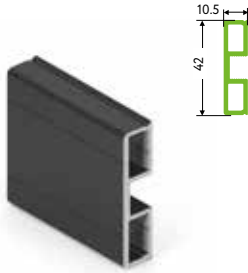
  
**500-1200 mm**  
Door  
width

  
up to **50 kg**  
Door  
weight

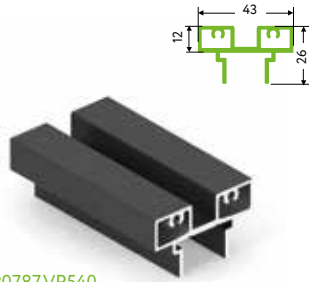
  
Two axis  
adjustment

GRACE System. Profile range

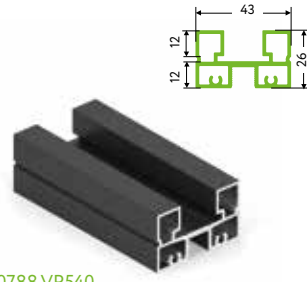
NEW



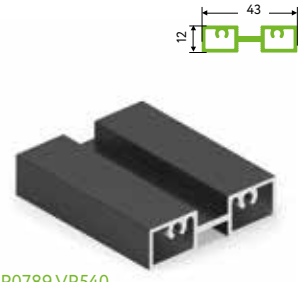
OP0738.VP540  
**Stile GRACE**  
10 pcs per package



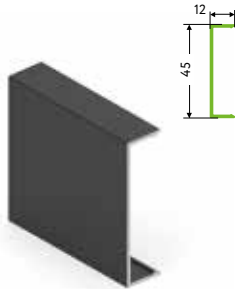
OP0787.VP540  
**Bottom rail**  
10 pcs per package



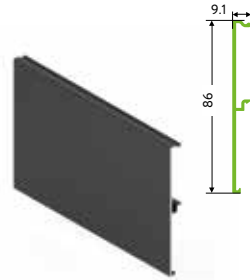
OP0788.VP540  
**Top rail**  
10 pcs per package



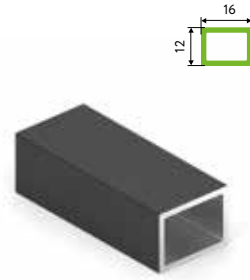
OP0789.VP540  
**Dividing rail**  
10 pcs per package



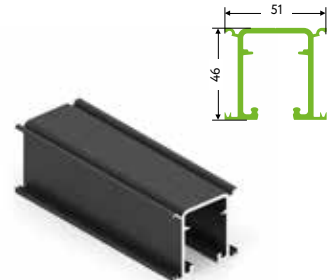
OP0739.VP540  
**Vertical profile cover**  
10 pcs per package



OP0846.VP540  
**Decorative cover**  
10 pcs per package



OP0790.VP540  
**Adhesive divider**  
10 pcs per package



OP0847.VP540  
**Top track**  
10 pcs per package

GRACE System. Accessories

NEW



OP0013.VR000  
**Fixed partition kit**  
In the set: bottom mortgage - 2 pcs; top mortgage - 2 pcs; top plate - 2 pcs; bottom plate - 2 pcs; key - 1 pc.  
30 sets per package  
Color: black



OP0001.VR000  
**Vertical profile plug**  
In the set: lower - 2 pcs; upper - 2 pcs.  
30 sets per package  
Color: black



AA0084.VM100  
**Silicon Gasket U Shape, Multi-purpose**  
Colors: black, transparent  
4 mm, 100 m/roll



AA8884.VM200, AA8885.VM240, AA8886.VM250, AA8888.VM320  
**Silicon Gasket U Shape**  
4 mm - 200 m/roll  
5 mm - 240 m/roll  
6 mm - 250 m/roll  
8 mm - 320 m/roll



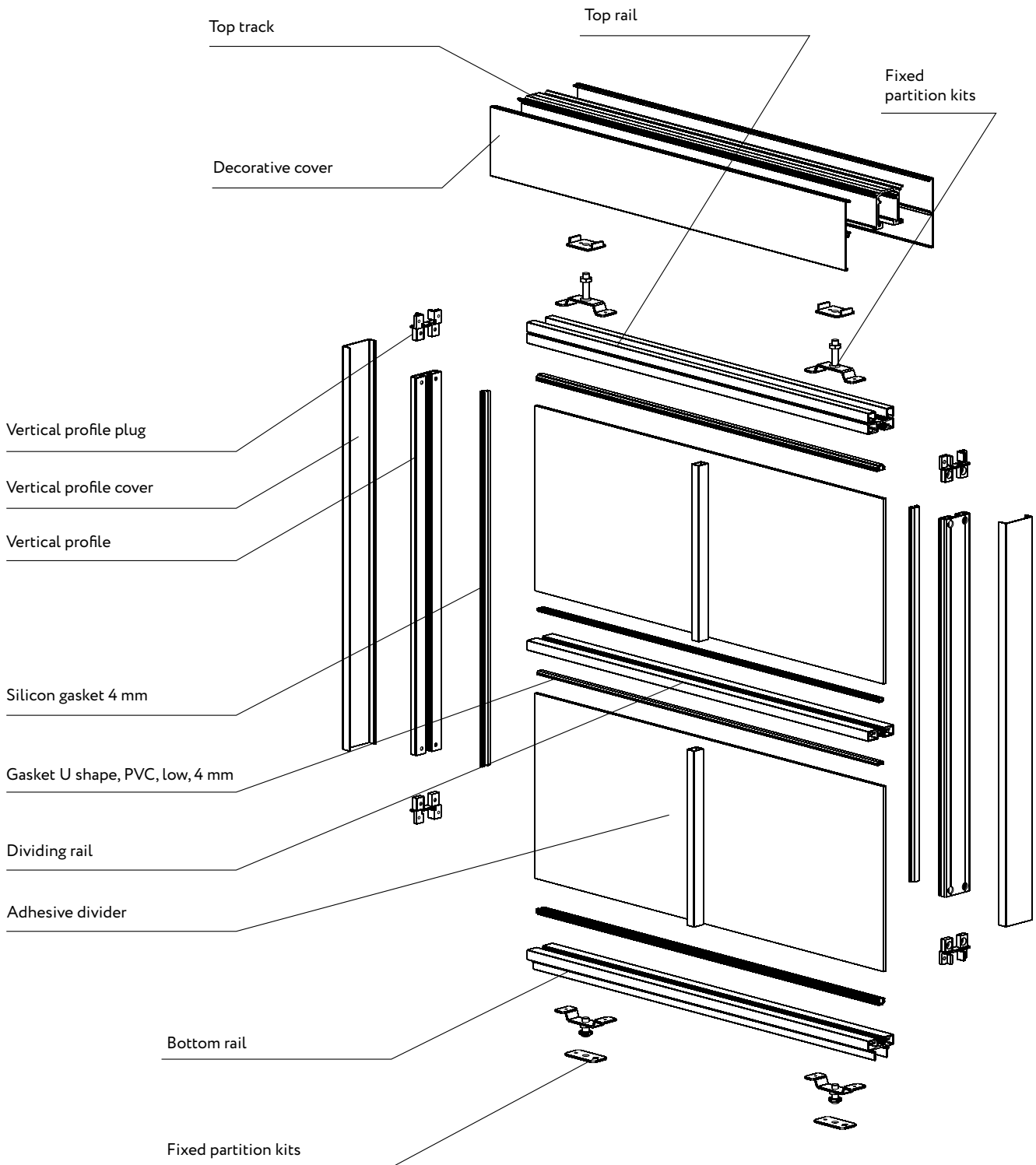
AV0064.VM100, AV0063.VM100, AV0069.VM100  
**Gasket U shape, PVC, low, 4 mm, 5 mm, 8 mm**  
Color: transparent, black  
100 m/roll



OP0430.VP000.ZN0EP.CH (4 x30 mm)  
**Self-tapping screw with countersunk head**  
300 pcs per package

Recommended sizes and weights of doors and partitions			
	Door height, mm	Door width, mm	Door weight, kg
Fixed partition	up to 3200	up to 1200	up to 50

Door assembly scheme



## Doors calculation

**Door sizes calculation according to the doorway parameters for sliding system**

Name	Sign	Formula
Door height / Vertical profile cover	Hd	$Hd = Hd_w - 82 \text{ mm}$
Vertical profile	Hprof	$Hprof = Hd_w - 32 \text{ mm}$
Door width	Ld	$Ld = Ldw$

**Horizontal profiles length calculation**

Name	Sign	Formula
Length of top (dividing, bottom) rails	Lr	$Lr = Ld - 24 \text{ mm}$

**Calculation of panel height according to the type of panel**

Panel type	Sign	Formula
Chipboard, 10 mm	Hip	$Hip = Hd - 33 \text{ mm}$
Chipboard, 8 mm	Hip	$Hip = Hd - 35 \text{ mm}$
Glass/mirror, 4 mm	Hip	$Hip = Hd - 36 \text{ mm}$

**Calculation of panel width according to the type of panel**

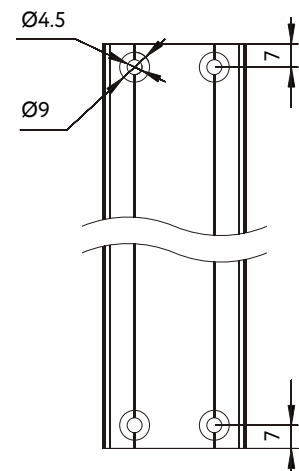
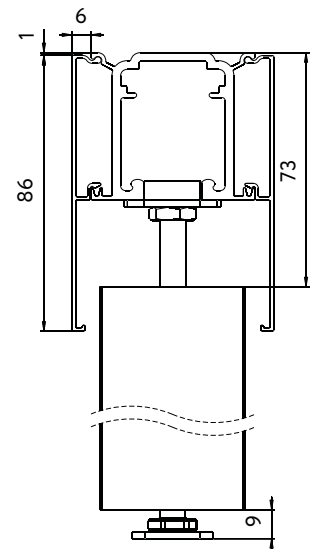
Panel type	Sign	Formula
Chipboard, 10 mm	Lip	$Lip = Ld - 8 \text{ mm}$
Chipboard, 8 mm	Lip	$Lip = Ld - 10 \text{ mm}$
Glass/mirror, 4 mm	Lip	$Lip = Ld - 11 \text{ mm}$

Name	Sign
Doorway height	Hdw
Doorway width	Ldw
Door height	Hd
Door width	Ld
Panel height	Hip
Panel width	Lip
Length of top (dividing, bottom) rails	Lr
Number of doors	N
Profile height	Hprof

## Dividing rail

One dividing rail reduces height and width of the panel in the possible combinations by the following values:

Chipboard (10 mm) / Chipboard (10 mm)	Chipboard (8 mm) / Chipboard (8 mm)	Mirror (4 mm) / Mirror (4 mm)
<b>2 mm</b>	<b>4 mm</b>	<b>5 mm</b>
Chipboard (10 mm) / Chipboard (8 mm)	Chipboard (10 mm) / Mirror (4 mm)	Chipboard (8 mm) / Mirror (4 mm)
<b>3 mm</b>	<b>3.5 mm</b>	<b>4.5 mm</b>

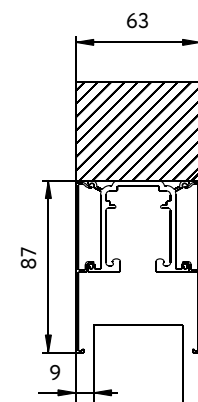


## Installation option



Top track /decorative cover width = Ldw

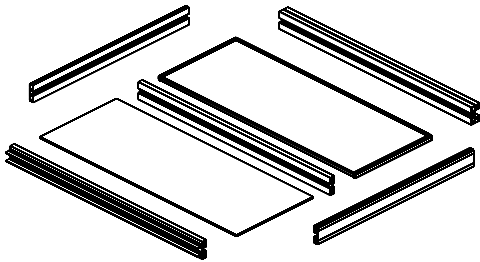
There is shown the installation of one door. The number of doors in the doorway is not limited.



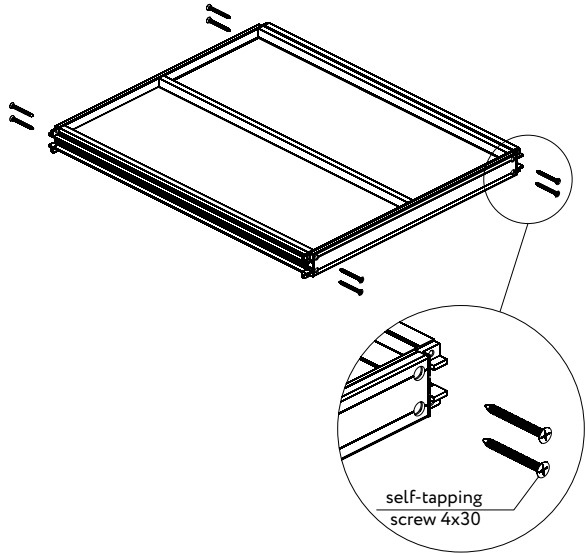


## Door assembly

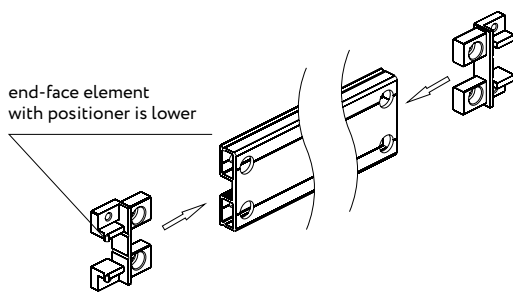
1 Cut the profile and the insert according to the design using the calculation table. After this, place the appropriate gasket on the door insert with a thickness of 4 mm or 8 mm.



3 Place all the profiles on the insert. Fix the vertical profile to the frames with 4x30 self-tapping screws.



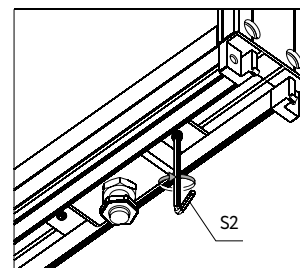
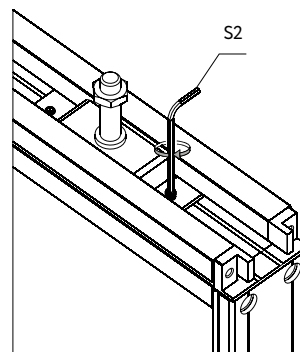
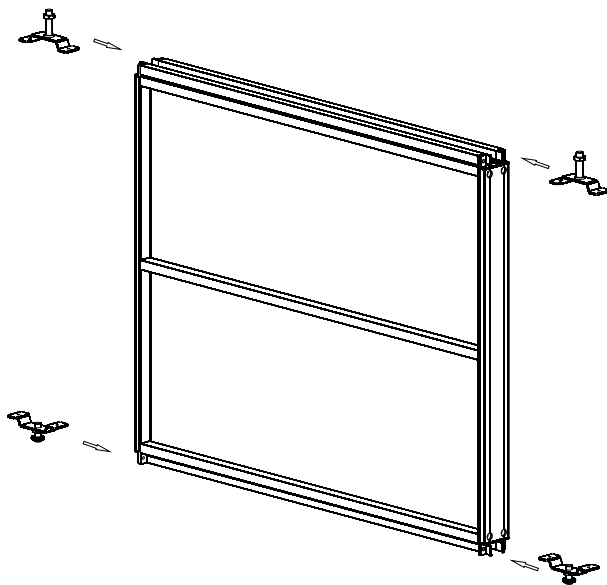
2 Drill the vertical profile and install the end piece into the edges.



We recommend tightening all horizontal frames with a vertical profile

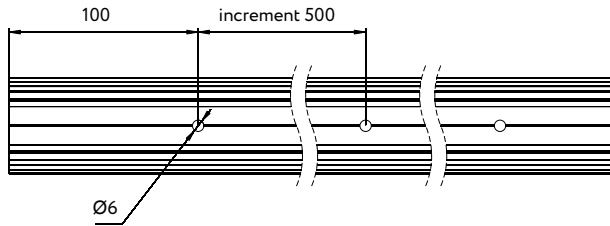
## Door installation

1 Place the accessories into the top and bottom rails. Fix them in a random location closer to the edge of the door.

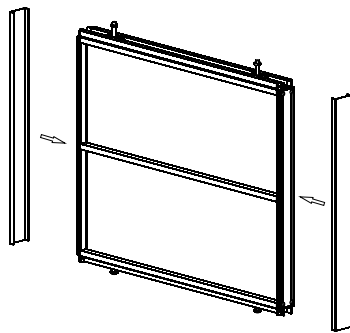


## Door installation

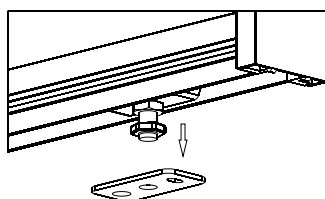
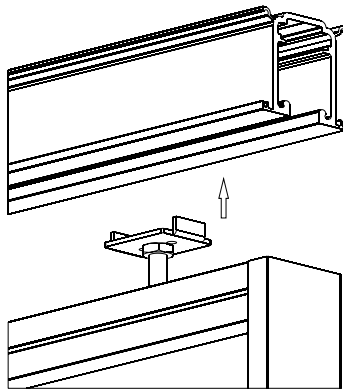
- 2 Mark and drill holes in the track.  
Fix the track to the wall.



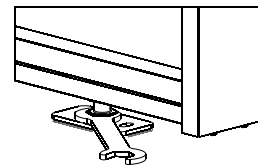
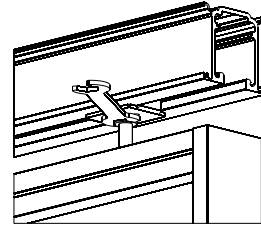
- 3 Put on the decorative covers of the vertical profile.



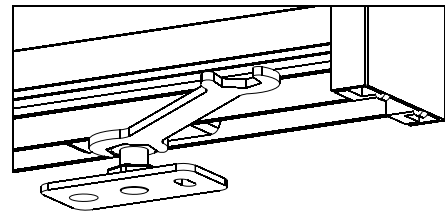
- 4 Place recurrent plates on the top screws and slide the door into the track. Place the lower flat recurrent plates under the bottom screws.



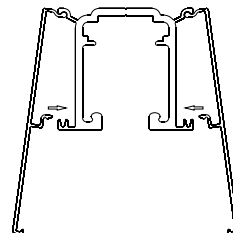
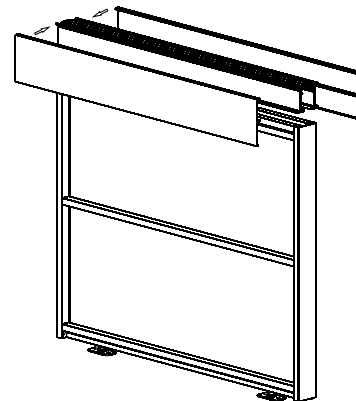
- 5 Place the door in the opening. Adjust the height using a special key. Mark and secure the bottom recurrent plate.



- 6 After re-installing the door and making final adjustments to the door, secure the nut at the bottom.



- 7 Put on the top track covers.



# Shelf System

A very stylish and durable aluminum system, made up with a set of profiles and fasteners .

It can serve as a display shelf in the living room or the hallway. The shelf can also be used for zoning the available space or as a smart addition to walk-in wardrobes.



  
**600 mm**  
Shelf  
depth

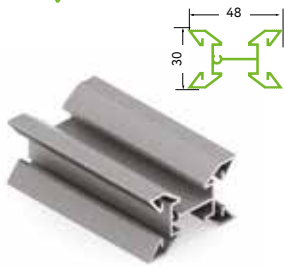
  
**1200 mm**  
Shelf  
length

  
up to **30 kg**  
Shelf  
load

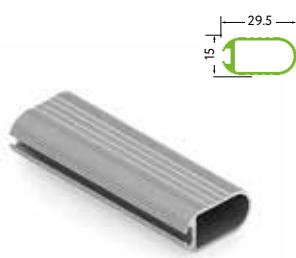


Interior:  
*Black Sandy Color  
Shelf System*

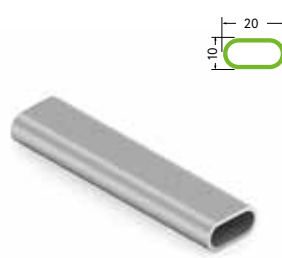
## Shelf System. Profile Range



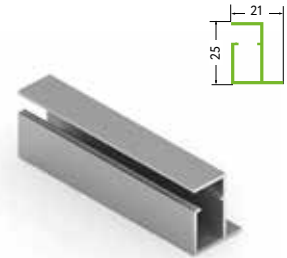
**SA0195.VP540**  
**Bearing Profile**  
6 pcs per pack



**SA0198.VP540**  
**Clothes Rod**  
20 pcs per pack



**SA0199.VP540**  
**Shoe Rack Rod**  
20 pcs per pack



**SA0196.VP540**  
**Shelf Profile**  
20 pcs per pack

**Recommendation:**  
All anodizing and powder coating colors from Standard System EXW China are available.

## Shelf System. Accessories



**SA0020.VP000**  
**Leveler**  
The set includes: Leveler, Adjustment Element with Screw, Adjustment Ferrule (Plastic)  
100 pcs in the pack



**SA0032.VP000**  
**Wall Mount**  
150 pcs in the pack



**SA0023.VP000**  
**Shelf Profile Clamp**  
The set includes: Shelf Profile Clamp, Screw - 1 pc., Internal Screw - 1 pc.  
150 pcs in the pack



**SA0021.VP000**  
**Clothes Rod Support**  
The set includes: Clothes Rod Support, Screw - 1 pc., Internal Screw - 1 pc.  
300 pcs in the pack



**SA0029.VP000**  
**Connector 90° for Bearing Profile**  
130 pcs in the pack



**SA0026.AR000**  
**Shoe Rack Brackets**  
The set includes: Screw - 1 pc., Internal Screw - 1 pc. Support for the Rack.  
30 pcs in the pack



**SA0030.VP000**  
**Bearing Profile End Cover**  
100 pcs in the pack



**SA0022.VR000**  
**Shelf Profile End Covers**  
The set includes 2 pcs (1 right + 1 left). For one shelf two sets are needed.  
500 pcs in the pack



**SA0033.VM200**  
**Clothes Rod Gasket**  
Colors: grey, black  
200 m / roll

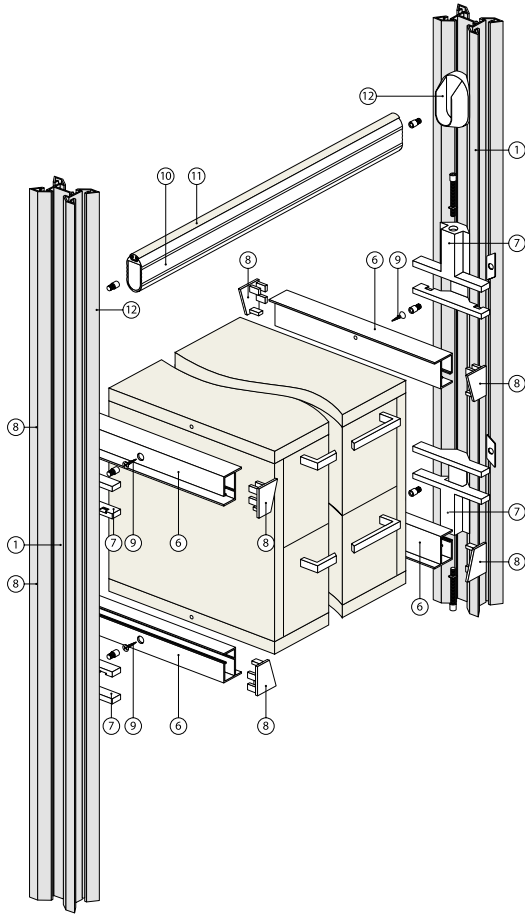


**SA0262.AR000**  
**Shoe Rack Rod End Covers**  
2 pcs in 1 set

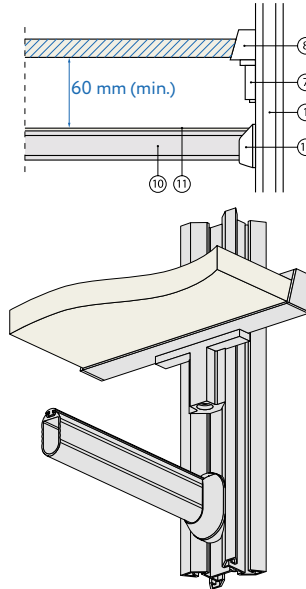
Permissible sizes and loads	
Section width between bearing profiles (LDSP 16 mm)	up to 900 mm
Shelf depth	up to 600 mm
Load on a pair of shelf profile	up to 25 kg
Load on a shoe rack rod	up to 10 kg/m

Shelf System. Assembly and Installation Guide

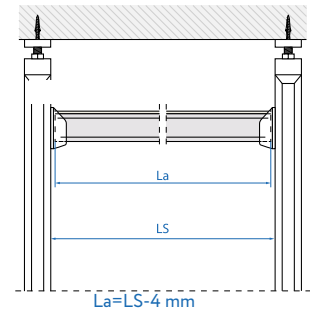
Drawers and clothes rod installation



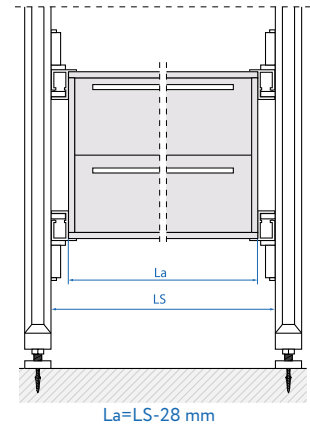
Clothes rod height position



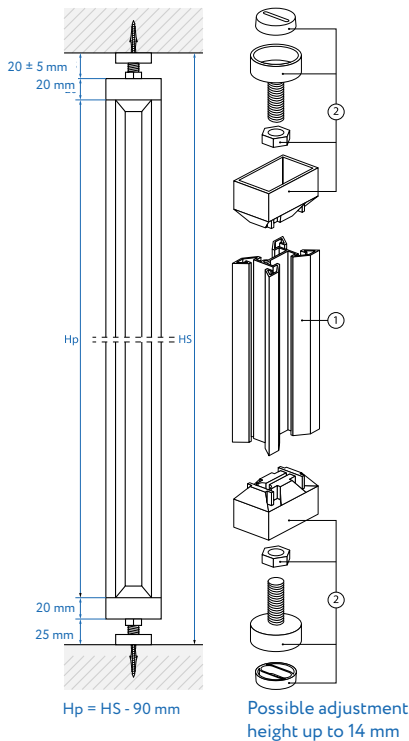
Clothes rod length calculation



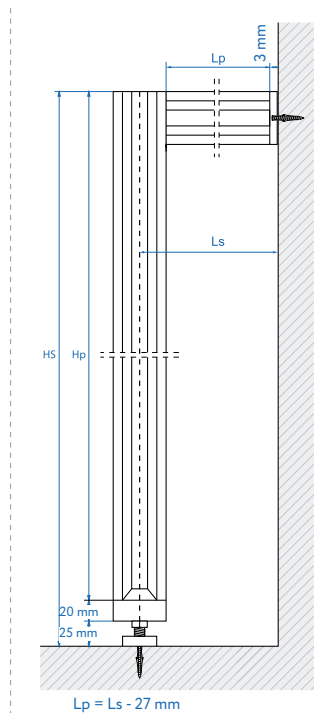
Drawer length calculation



“Floor-ceiling” fixation

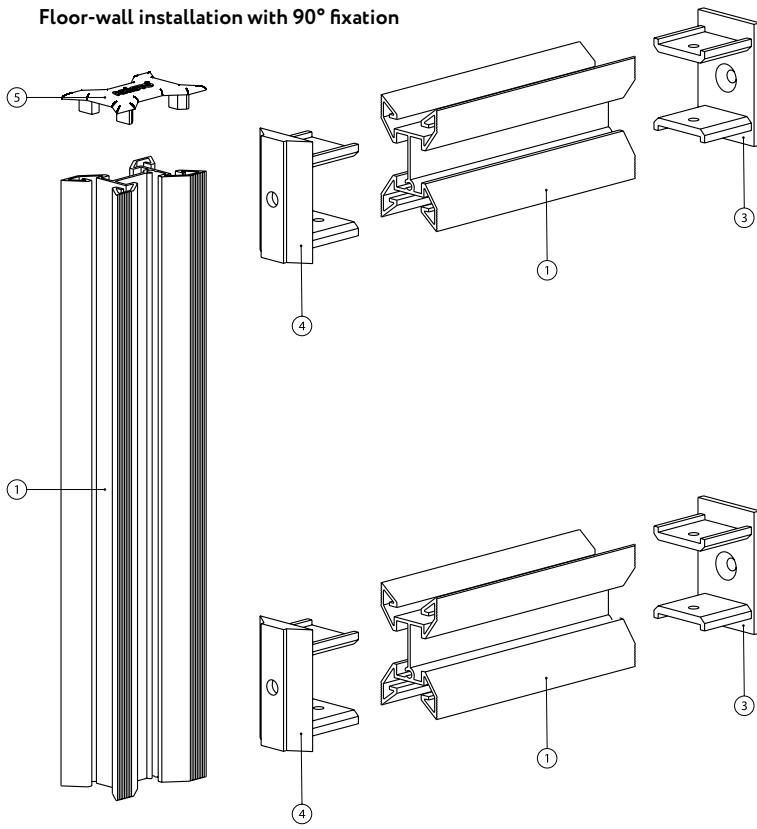


“New wall” fixation

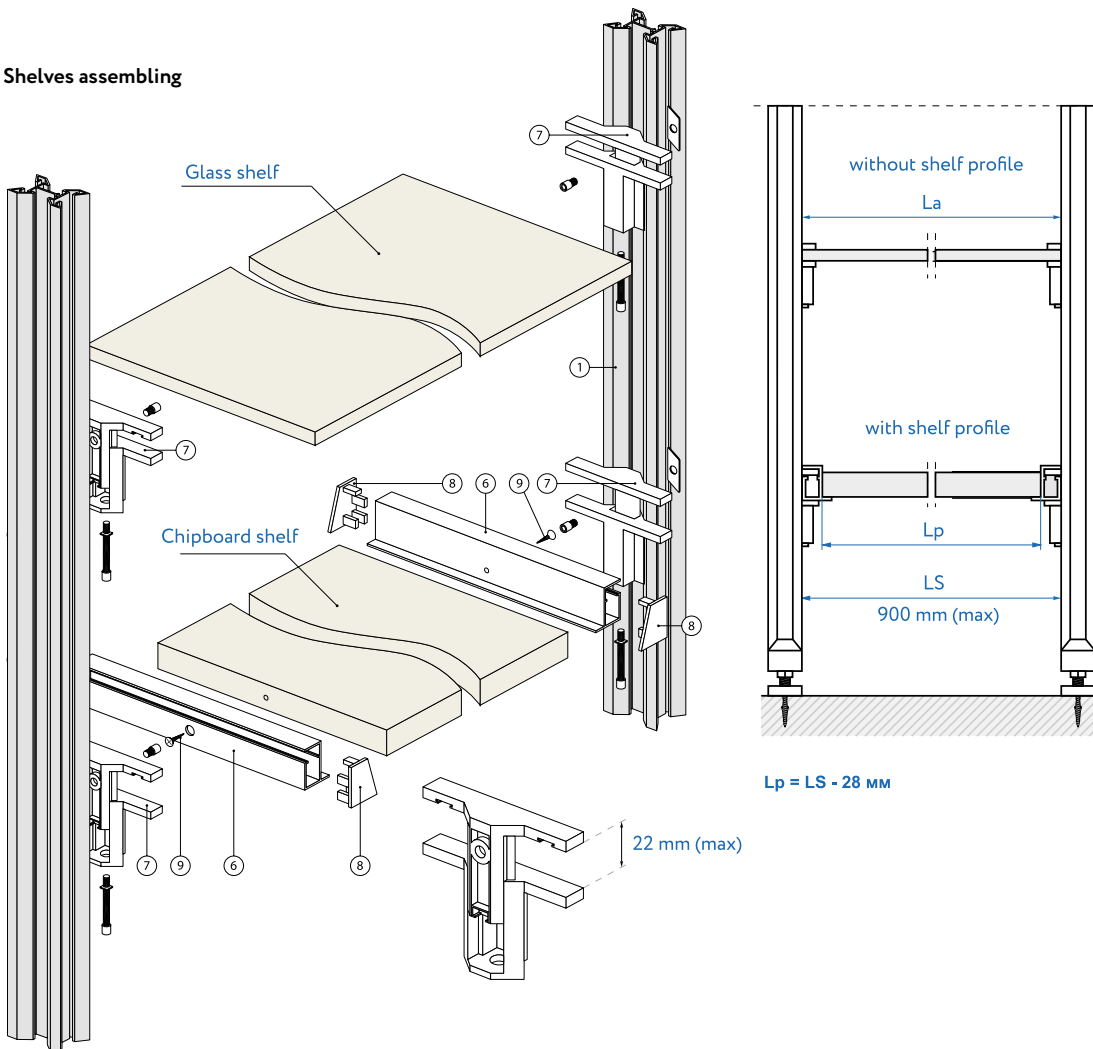


1. Bearing Profile
2. Leveler
3. Wall Mount
4. Connector 90° for bearing profile
5. Bearing Profile End Cover
6. Shelf Profile
7. Shelf Profile Clamp
8. Shelf Profile End Covers
9. Screw
10. Clothes Rod
11. Clothes Rod Gasket
12. Clothes Rod Support

Floor-wall installation with 90° fixation

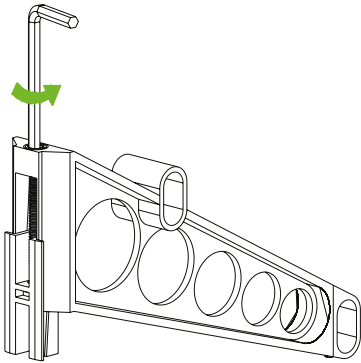


Shelves assembling

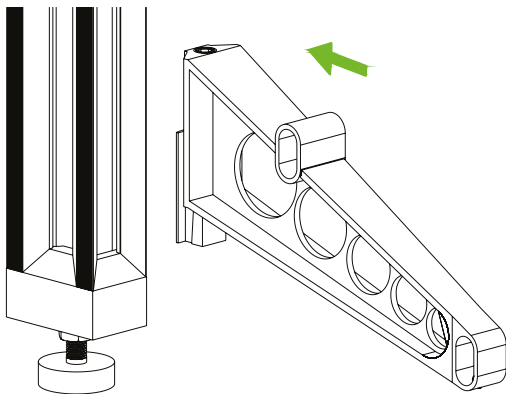


### Shoe Rack Bracket Installation

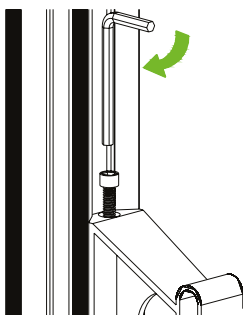
- 1 Pre-fix the screw with 2-3 turns only.



- 2 Connect the bracket to the profile.

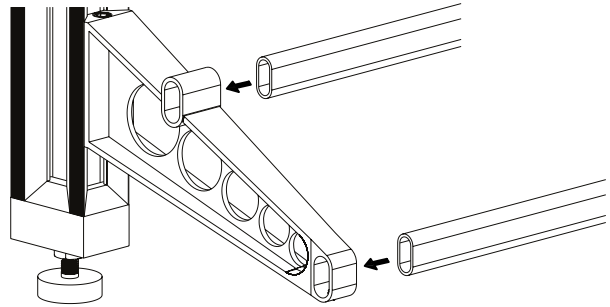


- 3 Finish by fixing the screw until it is not loose anymore.

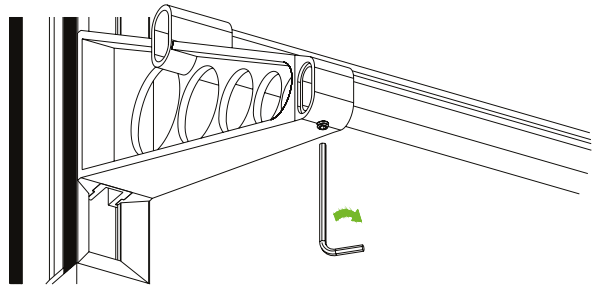


### Shoe Rack Rod Installation

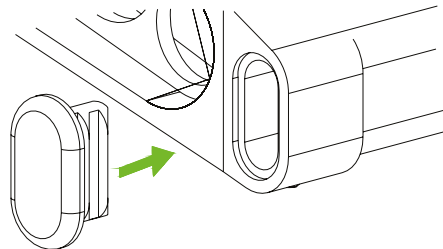
- 1 Insert two Shoe Rack Rods in the designated holes of the bracket.



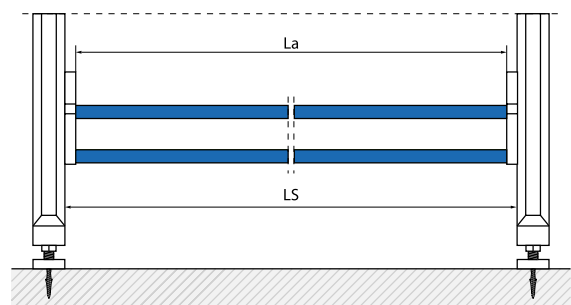
- 2 Fix the lower rod with a screw.



- 3 Insert the end covers in the designated holes of the shoe rack brackets.



### Length Calculation for the Shoe Rack Rod



$$La = LS + 42 \text{ mm}$$





## QB System

NEW



QB is a frame-modular system consisting of a square profile and a patented universal cubic connector.

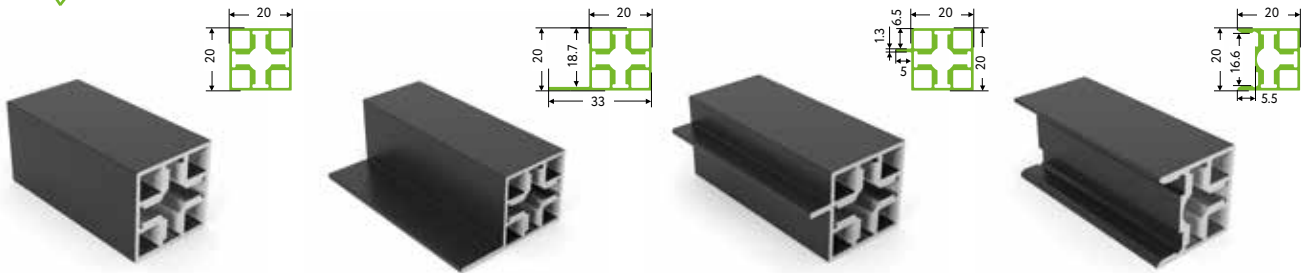
QB is a unique system because there is used a single universal profile connector, which fully replaces plenty of fittings used in other systems.

The special cross-sectional shape of the profiles and their variety make it possible to create plenty of options for furniture designs.

The possibility of integrating lighting into a profile awakens imagination and inspires the creation of unique products.

QB System. Profile range

NEW



QB0786.VP540

**Stile QB base**

10 pcs per package

QB0816.VP540

**Stile QB for chipboard**

10 pcs per package

QB0815.VP540

**Stile QB for glass**

10 pcs per package

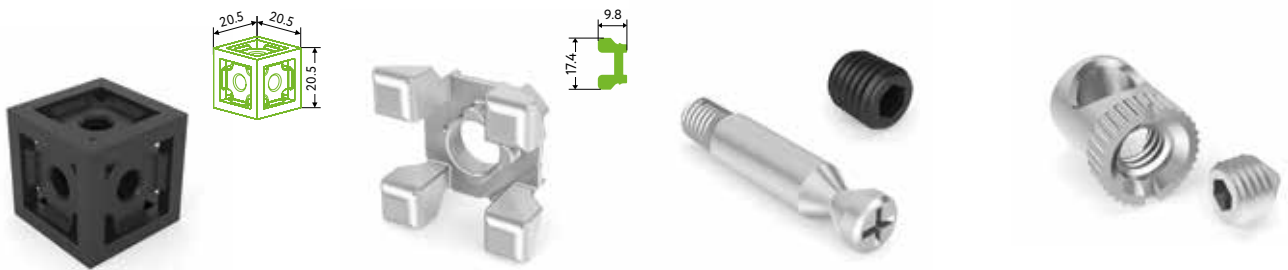
QB0814.VP540

**Stile QB for LED-strip or chipboard 16mm**

10 pcs per package

QB System. Accessories

NEW



QB0004.VP000

**QB Universal connector for profile**

10 pcs per package

QB0005.VP000

**QB connector retainer**

150 pcs per package  
Color: zinc

QB0001.VP000 /  
QB0008.VP000.BKSPS.CH

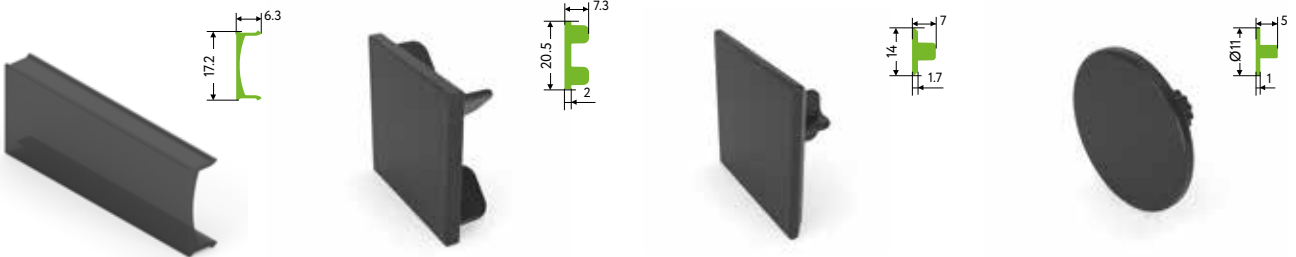
**QB Tapered tie rod M6x34/  
QB Conical tie screw M6x8, S3**

100 pcs per package  
Color: zinc

QB0613.VR000

**QB Screw + barrel for screw tie M6x13**

1 pc per package  
Color: zinc



QB0075.VP270

**QB Profile diffuser**

1 pc per package

QB0003.VP000

**QB Profile plug**

100 pcs per package

QB0002.VP000

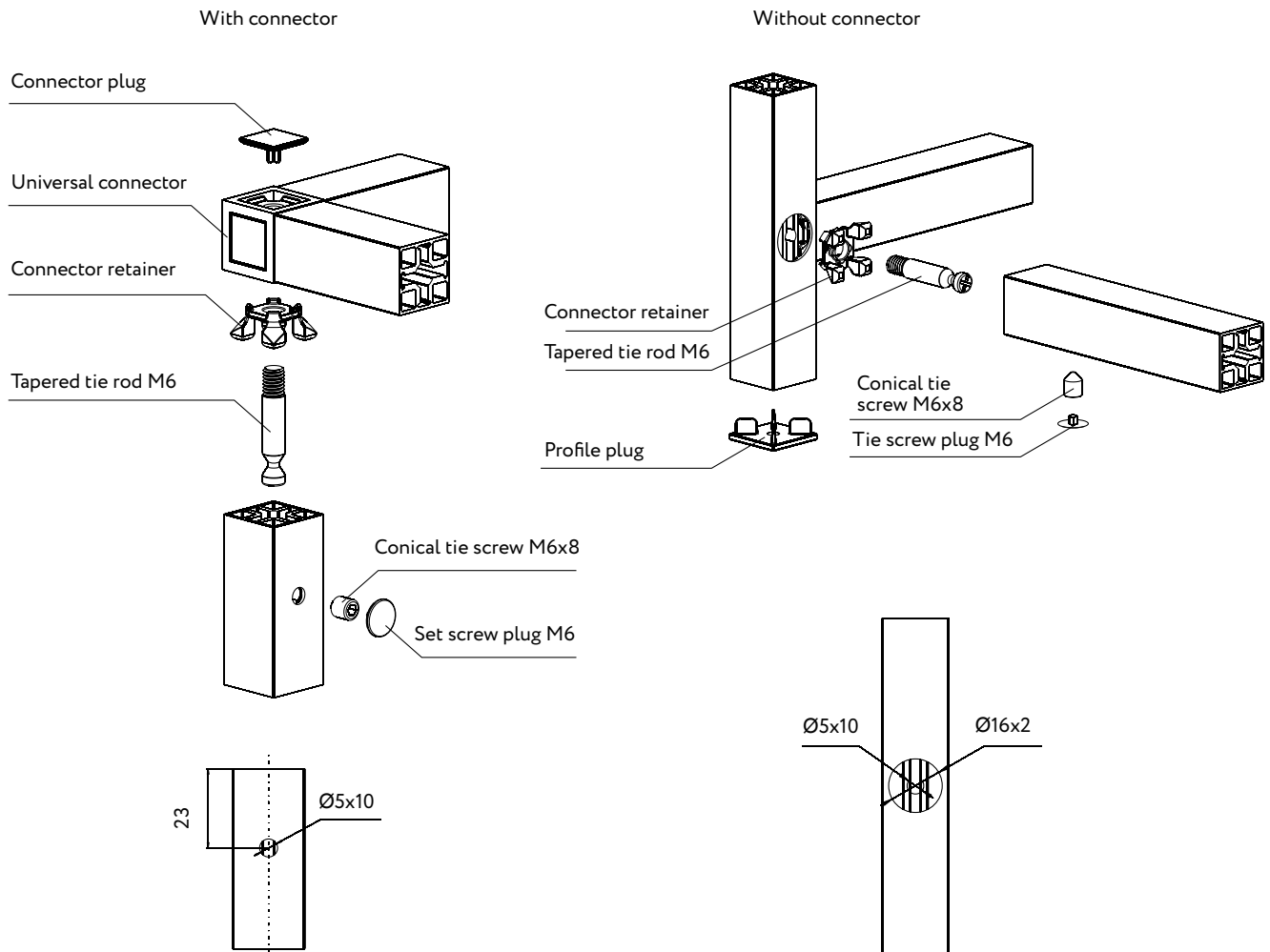
**QB Connector plug**

100 pcs per package

QB0007.VP000.BK0PC.CH

**QB Set screw plug M6**

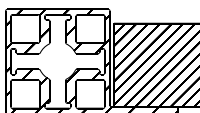
100 pcs per package



Chipboard filling 16 mm

With the profile for chipboard

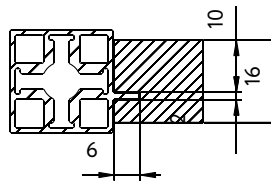
A-A



Shelf width = X - 42  
Shelf depth = Y - 42

With the profile for glass

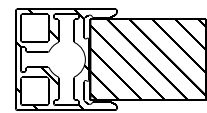
A-A



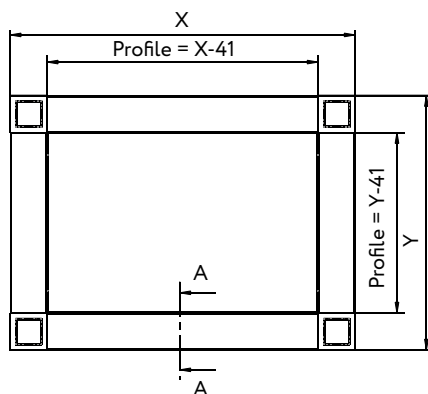
Shelf width = X - 42  
Shelf depth = Y - 41

With the profile for LED-strip

A-A



Shelf width = X - 42  
Shelf depth = Y - 30

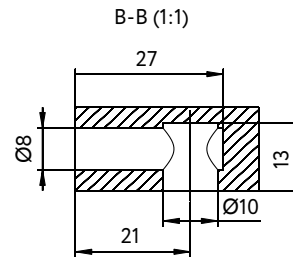
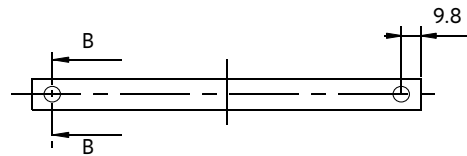
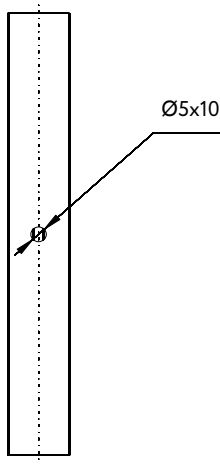
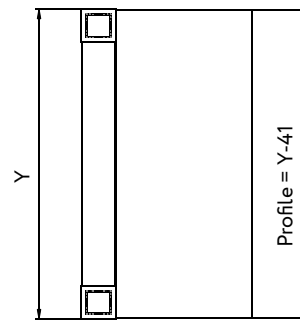
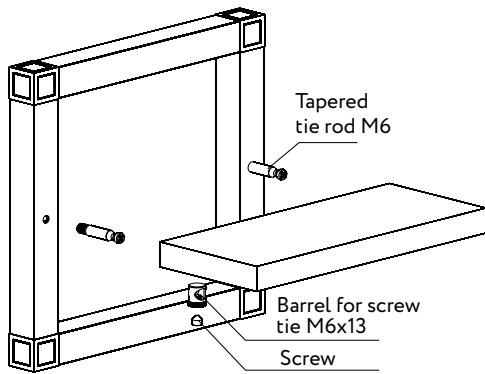


Technical information

Recommended dimensions and loads	
Height of one cell of the floor structure	150 mm - 600 mm
Depth of one cell of the floor structure	150 mm - 600 mm
Width of one cell of the floor structure	150 mm - 900 mm
Load on a shelf of the floor structure	up to 15 kg
Height of one cell of the suspended structure	150 mm - 500 mm
Depth of one cell of the suspended structure	150 mm - 400 mm
Width of one cell of the suspended structure	150 mm - 900 mm
Total load on the suspended structure	up to 20 kg

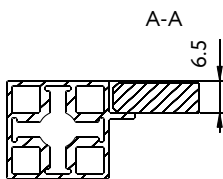
Assembly

Option with conical tie



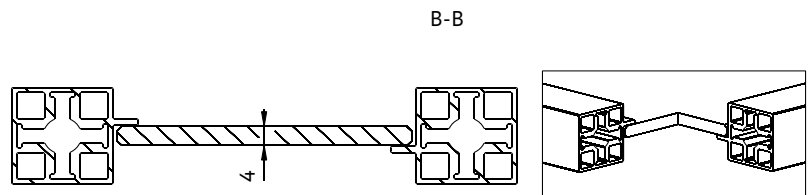
Glass filling

Option with the profile for glass on two sides

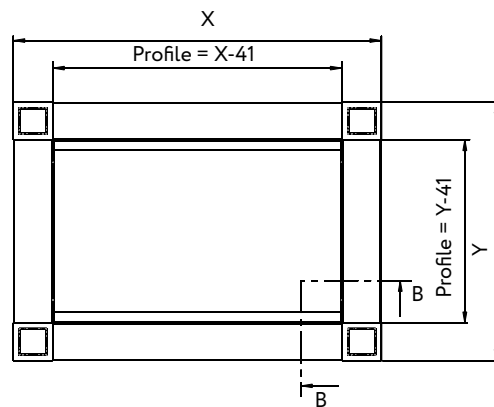
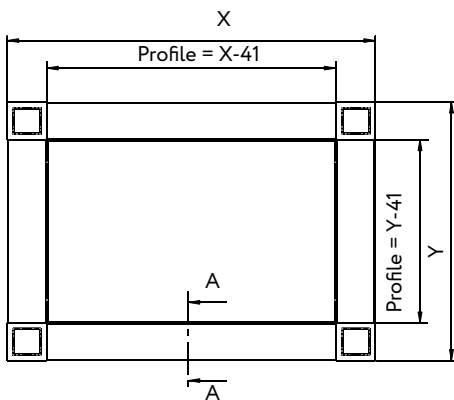


Shelf width = X - 42  
Shelf depth = Y - 42

Option with the profile for glass on four sides

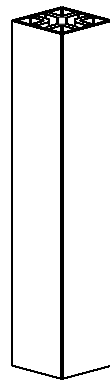
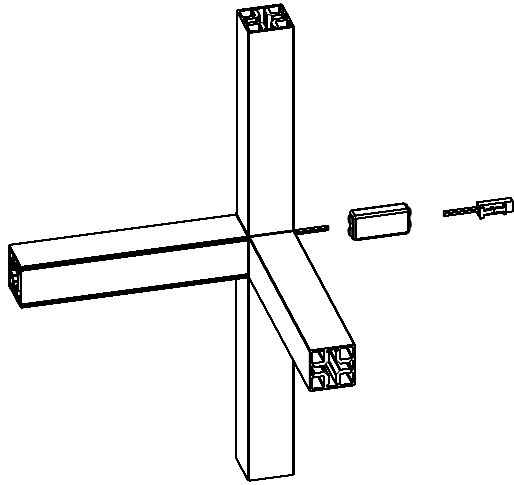
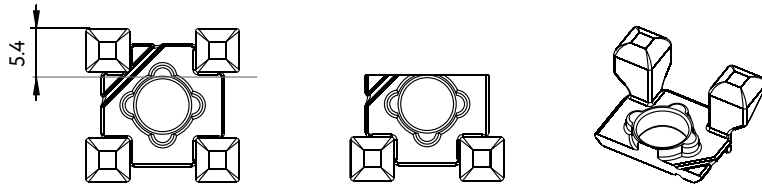


Shelf width = X - 42  
Shelf depth = Y - 42

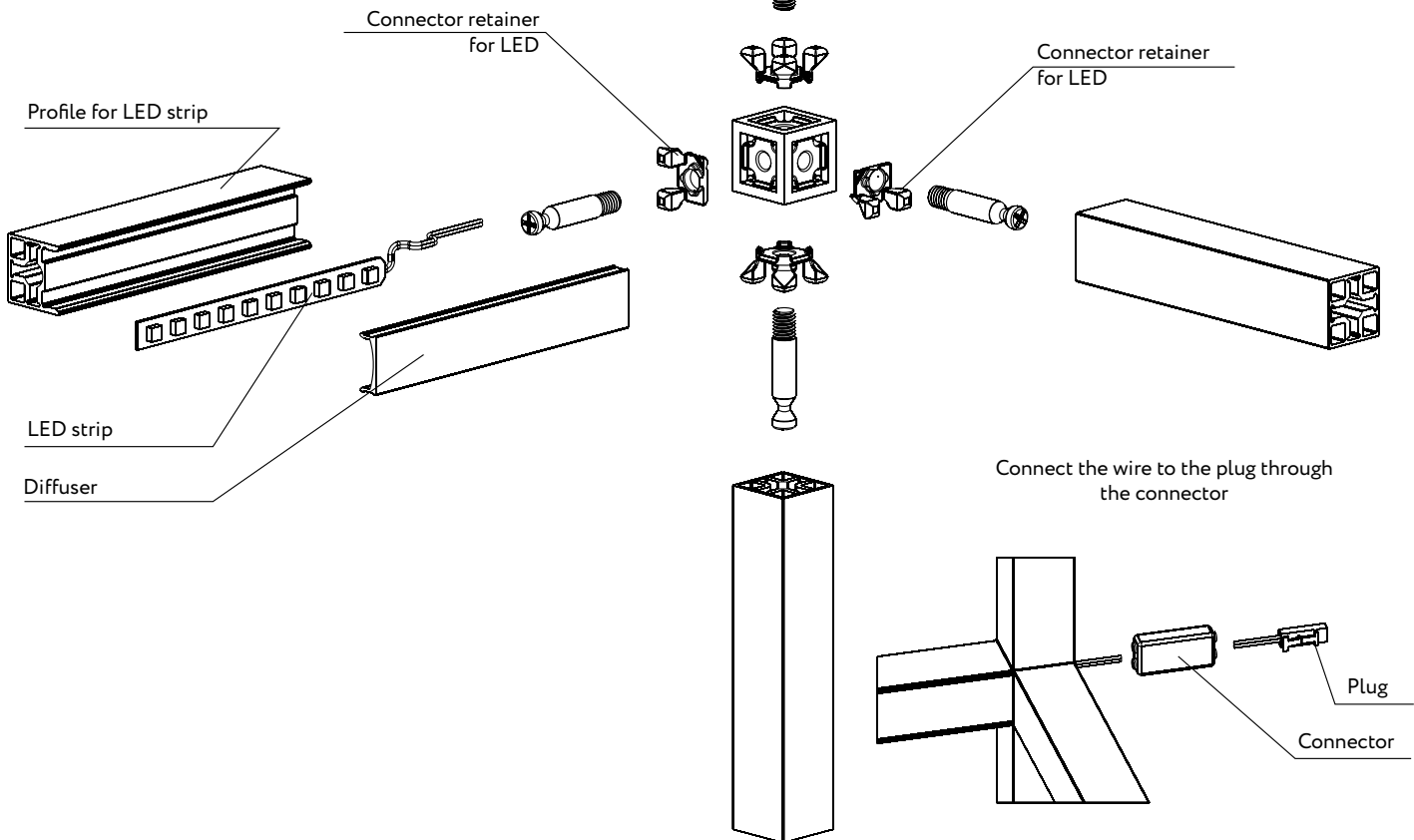
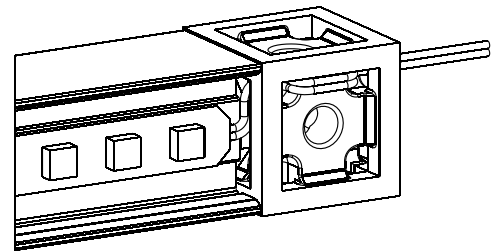


Fixing the LED strip on the side profile

Prepare the required amount of LED strip fasteners

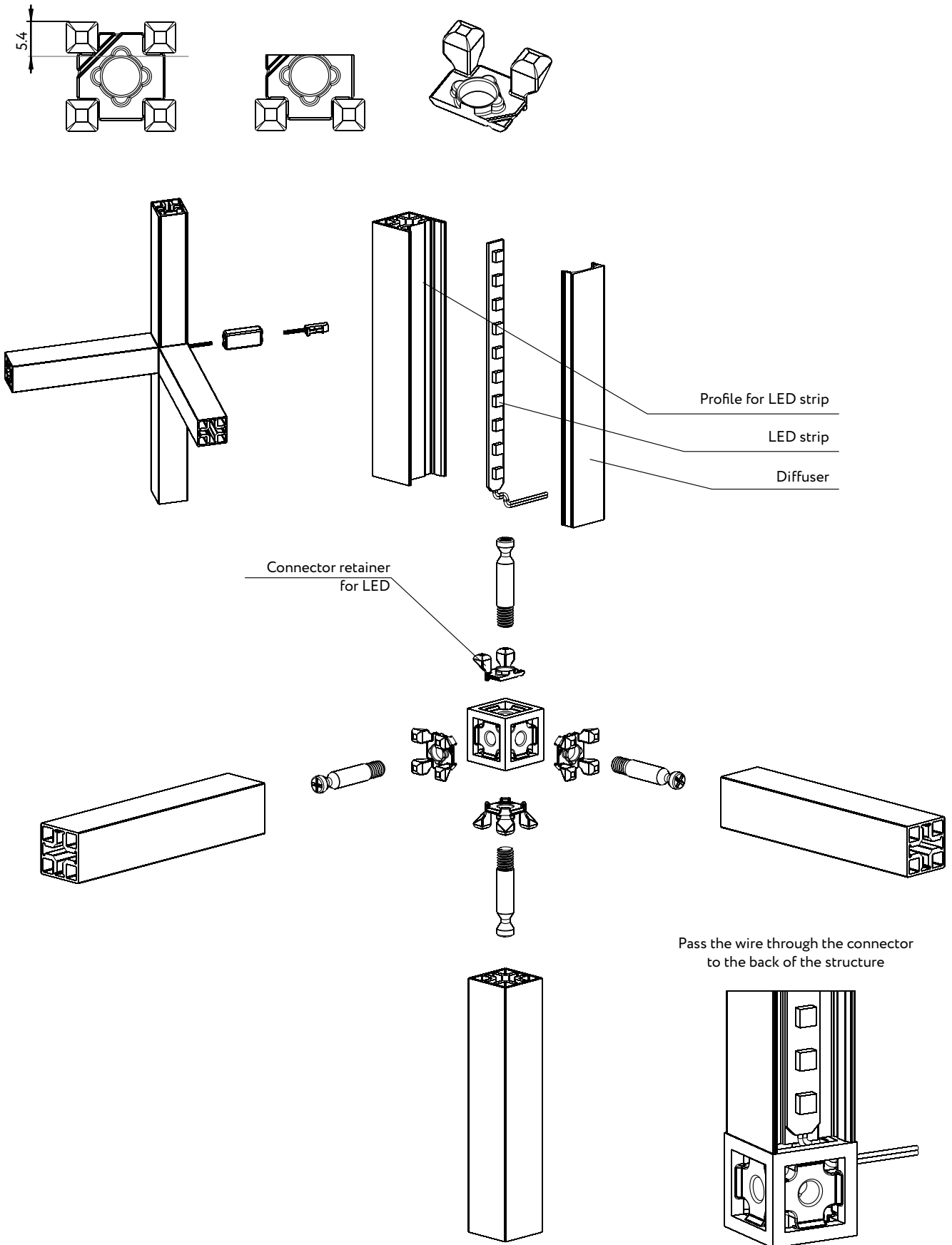


Pass the wire through the connector to the back of the structure



Fixing the LED strip to the back profile

Prepare the required amount of LED strip fasteners



## Storage System

Offers a convenient, functional, adjustable and stylish solution to store clothes in various rooms. The system adjusts to any project and easily customizes for different dimensions and locations.

A wide range of interchangeable elements favors various usage of the system: Walk-in closets, garages, loggias, niches and sets with built-in sliding door cabinets.

To reach a stylish and modern touch, we recommend you try our Storage System in matt black.





Storage  
System



Interior:  
*Aristo Storage System*  
*Black Color*  
*Wooden Decor: Dark*



# ARISTO Order Formula

## Bearing Track

The basic component of the system. The only thing that is attached directly to the wall.

## Multi-purpose Hook

To hang anything you need.

## Top-hung Rail

The base to install other parts on.

## Wire Shelf Divider

Delimits space and divides the shelf into cells. Compact zoning.

## Wire Shelf Plank

Nobility, comfort and beauty of solid wood.

## Clothes Rod

For clothes on hangers.

## Mirror Decor

The mirror is convenient and also visually expands the dressing room, creates an aesthetic look and adds more space.

## Tie Holder

Specially designed for storing neckties, scarves and other accessories.

## Accessories Shelf

Small things and accessories are in order.

## Accessories Shelf w/ Soft Closer

In the cells you can place everything you need for everyday use and enjoy the convenience of the design.

## Wooden Shelf

Decorates the elements of the dressing room and serves as a convenient storage space.

## Side Hooks

A functional usage of each centimeter of the space.

## Pull-out Basket Frame

For putting meshed baskets inside.

## Frame for the facade

A new decorative element in which decorating elements allow you to decorate a Wooden Shelf in an original way or stylishly arrange an Accessories Shelf.

## Basket frame w/ Soft closer

Full extension - to see and easily reach all the contents of the basket

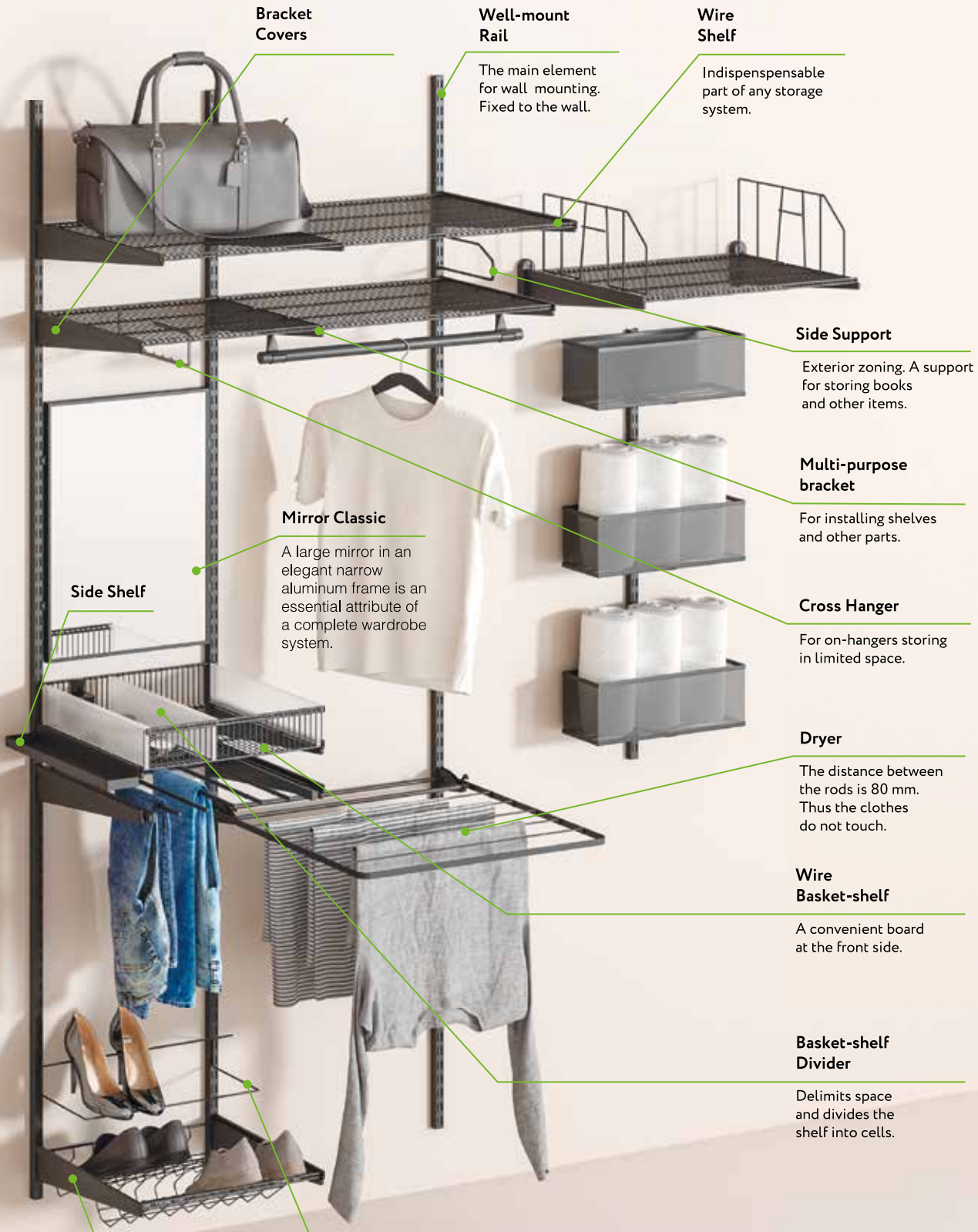
## Baskets

The best solution for easy storage: visibility, review, capacity. Three sizes and heights are available: 85 mm, 185 mm, 285 mm.

## Shoe Rack - 2 Levels

For high heels. Fits up to 6 pairs of shoes.





**Bracket Covers**

**Well-mount Rail**

**Wire Shelf**

The main element for wall mounting. Fixed to the wall.

Indispensable part of any storage system.

**Side Support**

Exterior zoning. A support for storing books and other items.

**Multi-purpose bracket**

For installing shelves and other parts.

**Cross Hanger**

For on-hangers storing in limited space.

**Dryer**

The distance between the rods is 80 mm. Thus the clothes do not touch.

**Wire Basket-shelf**

A convenient board at the front side.

**Basket-shelf Divider**

Delimits space and divides the shelf into cells.

**Mirror Classic**

A large mirror in an elegant narrow aluminum frame is an essential attribute of a complete wardrobe system.

**Side Shelf**

**Pull-out Shoe Rack**

For storing flat shoes. Fits up to 6 pairs of shoes.

**Shoe Rack - 1 level**

# HOW TO CHOOSE ARISTO STORAGE SYSTEM?

IT IS REALLY EASY!

1

## Choose the Most Suitable Mounting for Your Project:

### Top-hung Configuration:

Simple and quick installation: just drill a few holes! The basic component of the system is the (horizontal) Bearing Track WA0285. This is the only element in this type of mounting that is mounted to the wall directly. The (vertical) Top-hung Rails WA0284 hang on the Bearing Track. All the various elements (brackets, shelves, pull-out racks, etc.) are attached to the Top-hung Rails. This is the most simple and most popular type of installation, with minimal damage to the walls: ideal for rented housing.

### Wall-mounting:

#### ■ For Non-standard Locations

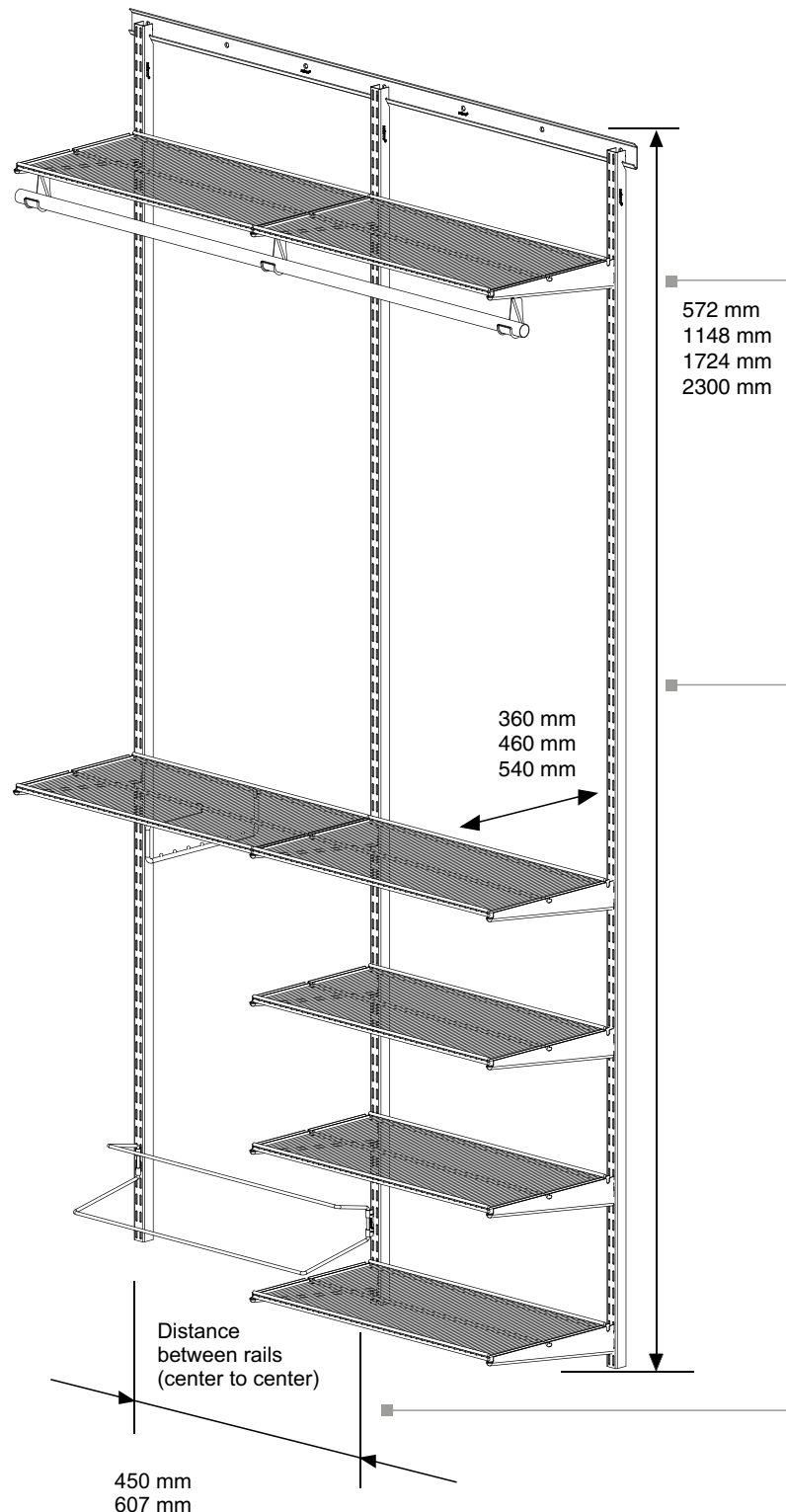
In this type of mounting the weight is carried by the (vertical) Wall-mount Rails WA0283. They are directly mounted to the wall without using a (horizontal) Bearing Track WA0285, only with screws. Such a solution is preferable in non-standard locations, i.e. walls with irregular protrusions, pipes, in the attic, under a staircase; wherever the installation of a (horizontal) Bearing Track is not possible. An additional advantage is the overall cost reduction of the storage system.

### Side Mounting:

#### ■ For Cabinets

Not even enough space to install the rails? You can use our special Side Holders for the installation in cabinets and narrow niches. Just fix the Side Holders on the side walls and attach the fixed or the pull-out elements in the same way as with the brackets.

The installation of elements (brackets, shelves, pull-out racks, etc.) to the rails is identical in both different configurations.



Are you looking for a perfect storage system? Here is what you need: Aristo Storage System. Design your or your customer's project according to its unique features and requirements.

## 2

### Choosing the Dimensions:

#### Height:

**572, 1148, 1724 or 2300 mm**

The height of your project is determined by the length of the rails. Keep in mind, you always have the opportunity to reduce the length, sawing off part of the rail with a hacksaw.

#### Depth: 360 mm, 460 mm or 540 mm

360 mm – ideal for shallow niches and grooves;  
460 mm – standard and most popular depth;  
540 mm – the maximum possible depth, convenient for upper shelves and storage of large items.



For your convenience, we have introduced the concept of "Series" within our Storage System. Each series defines itself through its distinct depth: The depth can be 360, 460 or 540 mm (i.e., Series 360, Series 460 and Series 540). All shelves and elements follow this logic. You may choose the most convenient series for your project. More details you find on the following pages. ”

#### Section Width: 450 mm and 607 mm

The section width is determined by the elements you choose. If you choose steel elements, then the distance between the rails (center to center) is 450 mm or 550 mm, if you choose wooden decor elements you need 607 mm instead.

#### Flexible Dimensions: 30 to 1830 mm

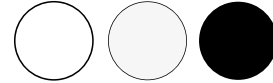
If widths of 450 or 607 mm are not convenient for your particular project, you may choose the dimensions freely. We offer shelves and rods of different dimensions. You can also cut parts as short as needed.

## 3

### Selecting a Suitable Design:

Pragmatism and simplicity for outbuildings and utility rooms: white, metallic, black.

We also recommend steel in matt black for modern and elegant loft-style interior architecture.



Warmth and coziness for a walk-in closet, a bedroom or any other place inside your home: with wooden decors in wood light, wood dark and wood white



## 4

### Choosing Suitable Elements

Please see the following pages for details.

## Storage System. Color Chart



**Metallic**



**White**



**Black**

## Storage System. Baskets for Racks, Cabinets and Shelves



**WA0271.VP008**

**Basket 85 mm**

527×427×85 mm  
10 pcs per pack  
Colors: Metallic, White, Black



**WA0272.VP018**

**Basket 185 mm**

527×427×185 mm  
8 pcs per pack  
Colors: Metallic, White, Black



**WA0273.VP028**

**Basket 285 mm**

527×427×285 mm  
6 pcs per pack  
Colors: Metallic, White, Black



**WA0391.VP008**

**Basket 85 mm**

369×427×85 mm  
1/10 pcs per pack  
Colors: Metallic, White, Black



**WA0392.VP018**

**Basket 185 mm**

369×427×185 mm  
1/10 pcs per pack  
Colors: Metallic, White, Black



**WA0322.VR045**

**Linings for Wire Basket, L=450, Metallic**

10×445×45 mm  
10/50 pcs per pack  
Colors: Metallic



**WA0322.VR035**

**Linings for Wire Basket, L=350, Metallic**

10×345×45 mm  
10/50 pcs per pack  
Colors: Metallic

## Storage System. Top-hung Mount



**WA0487.VP190**

**Bearing Track H27, L=1909**

1909×10×27 mm  
1/6 pcs per pack  
Colors: Metallic, White, Black



**WA0487.VP130**

**Bearing Track H27, L=1300**

1300×10×27 mm  
1/6 pcs per pack  
Colors: Metallic, White, Black



**WA0366.AP045**

**Bearing Track Cover, L=450**

450×11.2×29 mm  
1/6 pcs per pack  
Colors: Metallic, White, Black



**WA0366.AP060**

**Bearing Track Cover, L=607**

607×11.2×29 mm  
1/6 pcs per pack  
Colors: Metallic, White, Black

## Storage System. Universal Rail



**WA0397.VP057**

**Universal Rail L=572**

17×25×572 mm  
1/6 pcs per pack  
Colours: Metallic, White, Black



**WA0397.VP114**

**Universal Rail L=1148**

17×25×1148 mm  
1/6 pcs per pack  
Colours: Metallic, White, Black



**WA0397.VP172**

**Universal Rail L=1724**

17×25×1724 mm  
1/6 pcs per pack  
Colours: Metallic, White, Black



**WA0397.VP230**

**Universal Rail L=2300**

17×25×2300 mm  
1/6 pcs per pack  
Colours: Metallic, White, Black



## Side Holders

Side holders are fixed on the side walls of a cabinet. They are suitable for all elements mounted on brackets.



**WA0353.VR036**  
**Side Holders, Series 360**

310×33.5×8.9 mm  
1/20 pcs per pack  
Colors: Metallic, White, Black



**WA0353.VR046**  
**Side Holders, Series 460**

415×33.5×8.9 mm  
1/20 pcs per pack  
Colors: Metallic, White, Black



**WA0353.VR054**  
**Side Holders, Series 540**

500×33.5×8.9 mm  
1/20 pcs per pack  
Colors: Metallic, White, Black



## Storage System 450

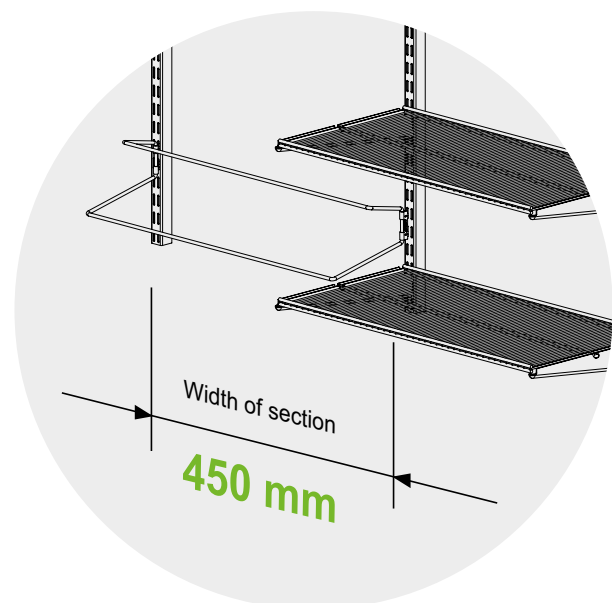
NEW

The new functional details for Storage System 450 mm wide favor for more various space planning based on ARISTO Storage System. It is especially helpful for small rooms or ones with non-standard walls.

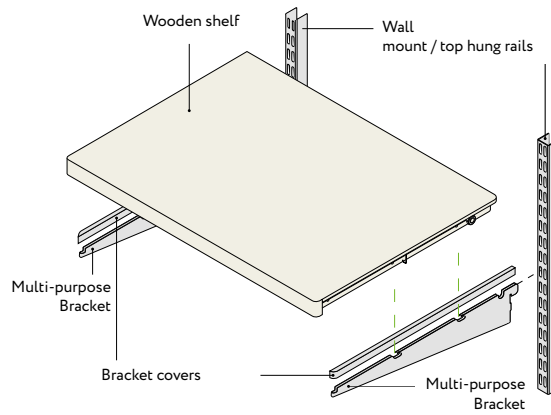
ARISTO Storage System 450 mm wide brings the atmosphere of order to your home and makes storing of clothes, shoes and accessories convenient. The hung parts leave quite a lot of space while keep a lot of belongings and widen the room visually.

### Advantages:

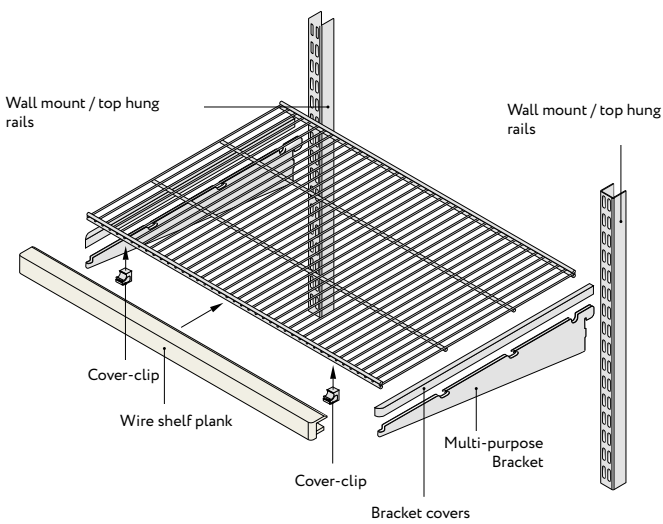
- a two-section wardrobe needs just 0.5 sq.m;
- fits little space;
- perfect for narrow niches;
- a winning choice for small flats;
- high quality coating resistant to mechanical exposures;
- easy-to-move and transport;
- easy self-assemble;
- stylish and modern design;
- classic and decor collections;
- compatible with all the on-sale items of ARISTO Storage System.



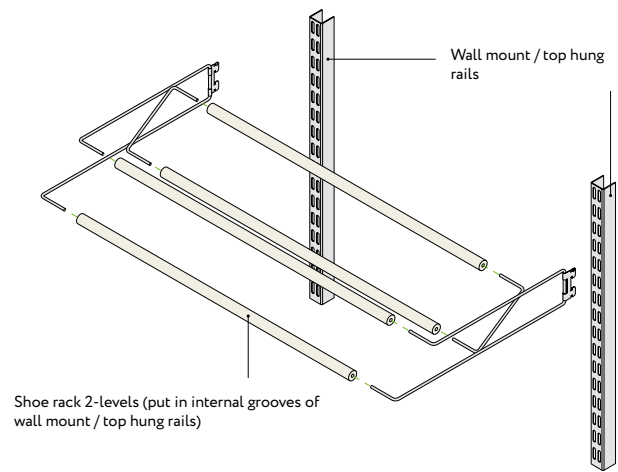
## Installation of Bracket and Shelf



## Wire Shelf Plank Installation



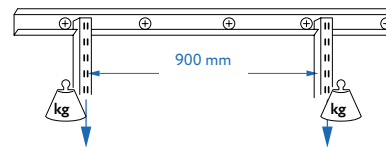
## Shoe Rack Installation



## Main Technical Specifications

Solid steel in combination with precious types of wood and high-quality synthetic materials are used as the materials of choice for this system. The steel is covered in a multifunctional epoxy-polyester hybrid lacquer powder coating, combining an elegant appearance with excellent properties of safety and durability. The coating is intended for indoor-use products such as household appliances, wire products, metal furniture, fittings and lighting devices. It is an environmentally friendly solution, and it is safe for use and safe to touch. The lacquering of our wooden products has similar features and we only choose high-grade materials.

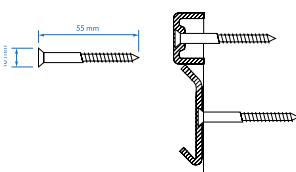
The maximal load for one suspension rail is 250 kg. However, the quality of the wall and of the installation are factors that must be taken into consideration. Therefore, the installation methods and the wall materials must comply with the following limitations:



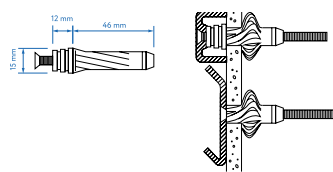
Wall material	Maximal load near the extreme screw	Maximum load in the middle of bearing track near the screw
Gypsum board, 13 mm	80 kg	110 kg
Double gypsum board, 26 mm	140 kg	180 kg
Chipboard, 12-16 mm	80 kg	110 kg
Wood	130 kg	240 kg
Foam concrete	60 kg	130 kg
Brick	120 kg	230 kg
Concrete	150 kg	250 kg

## Wardrobe System. Tracks and Rails Mounting

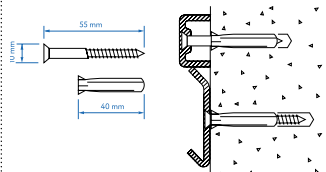
### Wood



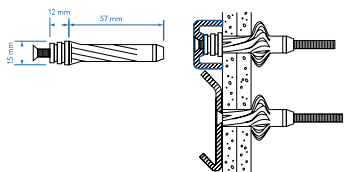
### Gypsum board



### Brick, concrete



### Double gypsum board





Maximal load on system elements		
Bearing Track (horizontal), Top-hung Configuration	Length 600 mm, 3 fixation points*	195 kg
	Length 1200 mm, 6 fixation points*	390 kg
	Length 1300 mm, 7 fixation points*	455 kg
	Length 2030 mm, 10 fixation points*	650 kg
Wall-mount Rail (vertical), Wall-mount Configuration	Length 572 mm, 2 fixation points*	60 kg
	Length 1148 mm, 4 fixation points*	100 kg
	Length 1724 mm, 4 fixation points*	140 kg
	Length 2300 mm, 6 fixation points*	180 kg

\*The hardware used for installation must ensure reliable fastening of the system elements to the wall.  
The use of screws less than 6×80 mm, anchors less than 6×60 mm is not recommended.

Maximal load on system elements		
Name of the system element	maximal distributed load	maximal distributed installation load together with a round rod
Clothes hanger	8 kg	-
Basket 85 mm	8 kg	-
Basket 185 mm	12 kg	-
Basket 285 mm	15 kg	-
Multi-purpose Bracket	20 kg	-
Side holders	40 kg	-
Wire shelf, L=607 mm	40 kg	25 kg
Wire shelf, L=900 mm	20 kg	15 kg
Wire shelf, L=1823 mm	80 kg***	40 kg***
Wire basketshelf, L=607 mm	40 kg	25 kg
Round rod, L=600 mm	15 kg	-
Round rod, L=1000 mm	25 kg	-
Round rod, L=1200 mm	25 kg**	-
Round rod, L=2000 mm	40 kg***	-

\*\* when mounted on 3 brackets

\*\*\* when mounted on 4 brackets.

We recommend to have at least 15 mm between the ends of the rails.

The standard distance between the brackets for the shelves is ~420 mm height.

The shoe rack needs about 250 mm free space above it (about 6 open slots) for easy storage and access.

Basket S (85 mm high), needs 3 free slots on hung rails (incl. the bracket).

Basket M (185 mm high), needs 6 free slots on hung rails (incl. the bracket).

Basket L (285 mm high), needs 10 free slots on hung rails (incl. the bracket).

The shelf for clothes (incl. the bracket) needs 3 free slots on hung rails. The pull-out rack for trousers needs 3 free slots on hung rails (incl. the bracket). Trousers usually need 760 mm free space below the rack.

If the system elements are 607 mm wide, then the distance between internal dimensions of rails should be 609.4 mm (Fig. 1).

If the system elements are 450 mm wide, then the distance between internal dimensions of rails should be 451.4 mm (Fig. 1).

If the system elements are 900 mm wide, then the distance between internal dimensions of rails should be 903.4 mm (Fig. 1).

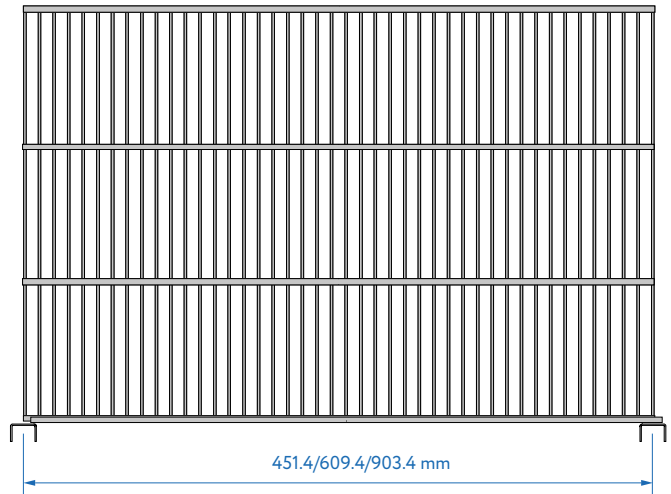


Fig. 1

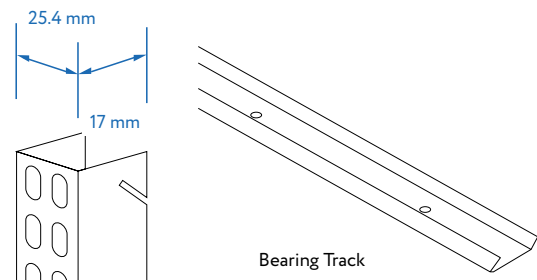


Fig. 2

### Two different Installation Mountings

#### Top-hung Configuration (Fig. 2)

The bearing track is fixed to the wall, the rails are then fixed to it. Holes on the track are located every 203 mm.

#### Wall-mount Configuration (Fig. 2)

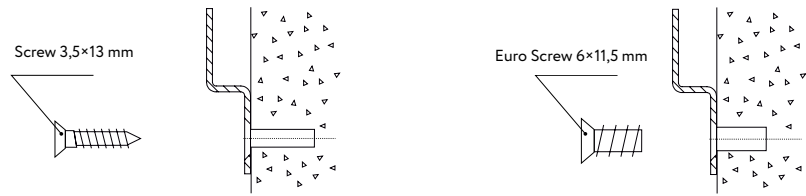
The rails are installed directly to the wall with screws.



There is no difference in functionality between the two installation configurations. The choice depends on the customer's preferences. The Wall-mount Configuration is more suitable for clients who accept to drill more holes into the wall. However, more importantly, this system can be a preferable solution for attics and log- or timber houses. If necessary, the Wall-mount Rail can be cut into smaller parts and used to create additional sections (e.g. for a mezzanine or under a roof).

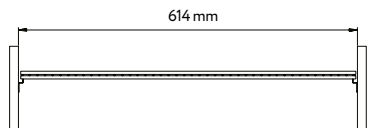
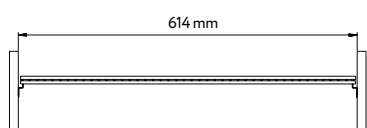
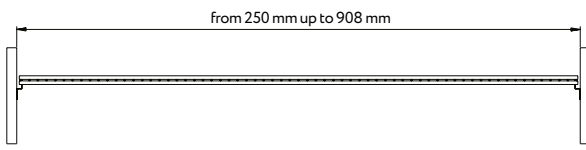
**Storage System. Side Holder Option**

Side Holders are installed on chipboard walls not less than 16 mm thick. Choose the required height of the shelf and mark all the needed holes. Fix the Side Holders.



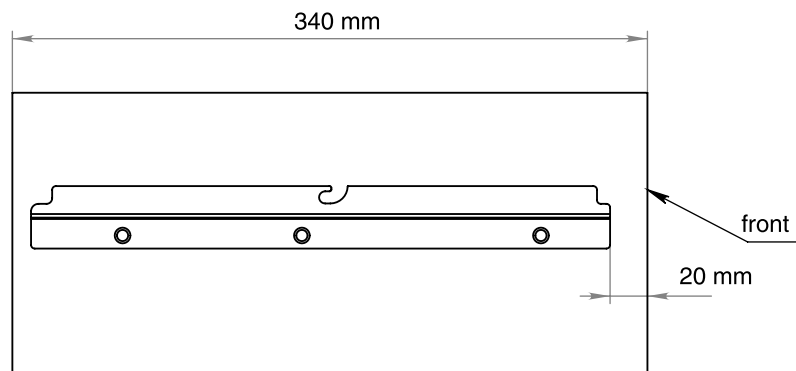
**Storage System. Side Holder - Series 360 (WA0353.VR036)**

**Side Holder Installation. Section Width**

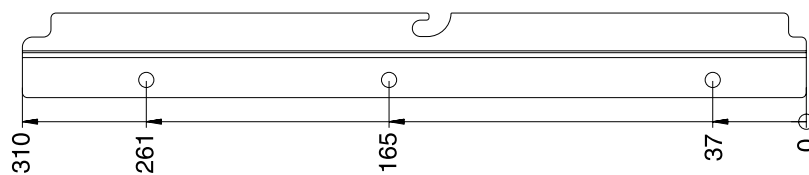
Section width		
Element	Element	Picture
Wire Shelf, Series 360, L=450	457 mm	
Wire Shelf, Series 360, L=607	614 mm	
Shelves with Non-standard Length Min. L = 242 mm Max. L = 900 mm	From 250 mm (Lshelf = 242 mm) up to 908 mm (Lshelf = 900 mm)	

14 mm is the distance between the cross wires of the Wire Shelves.

**Side Holder Installation. Section Depth**



**Scheme**



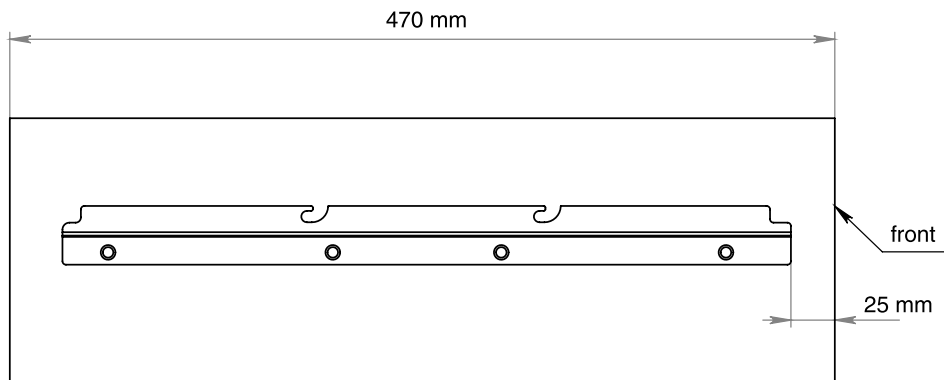
Schemes shows the minimum sizes of indents.

Side Holder Installation. Section Width

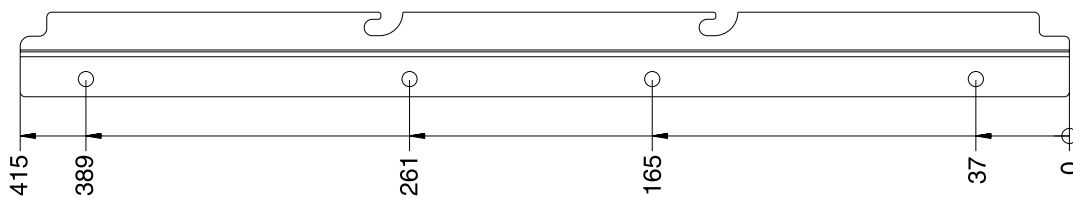
Section width		
Element	Element	Picture
Wire Shelf, Series 460, L=450	457 mm	
Wire Shelf, Series 460, L=550	556 mm	
Wire Shelf, Series 460, L=607	614 mm	
Shelves with Non-standard Length Min. L = 242 mm Max. L = 900 mm	From 250 mm (Lshelf = 242 mm)  up to 908 mm (Lshelf = 900 mm)	

14 mm is the distance between the cross wires of the Wire Shelves.

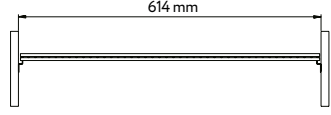
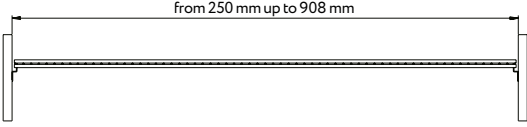
Side Holder Installation. Section Depth



Scheme

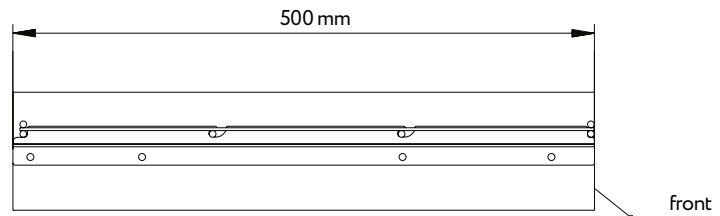


Side Holder Installation. Section Width

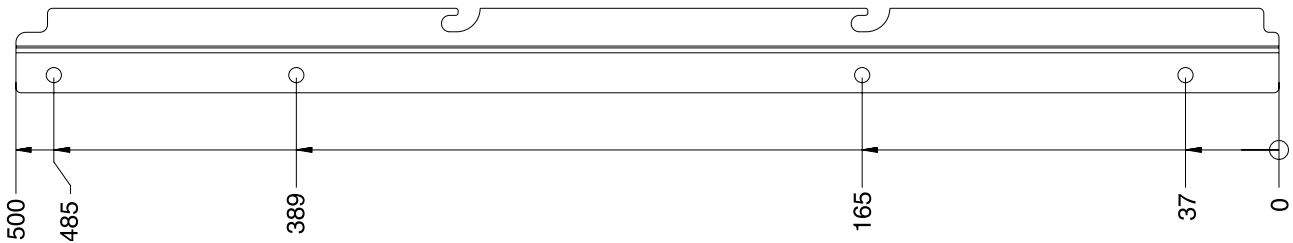
Section Width		
Element	Element	Picture
Wire Shelf, Series 540, L=607	614 mm	
Shelves with Non-standard Length Min L= 242 mm Max L= 900 mm	From 250 mm (Lshelf = 242 mm) up to 908 mm (Lshelf = 900 mm)	

14 mm is the distance between the cross wires of the Wire Shelves.

Side Holder Installation. Section Depth



Scheme



Storage System. Elements for Installation

Elements for installation on the shelf	
Element	Code
Wire Shelf Divider, Series 460	WA0340.VP046
Tie Holder, Series 460	WA0342.VP000
Cross Hanger, Series 460	WA0343.VP000
Cross Hanger, Series 360	WA0344.VP000
Multi-purpose Hooks	WA0309.VS000
Basket-shelf Dividers, Series 360	WA0645.VR036

Elements for installation on the shelf	
Element	Code
Basket-shelf Dividers, Series 460	WA0635.VR046
Basket-shelf Dividers, Series 460, Wood Light	WD0735.VR046
Basket-shelf Dividers, Series 460, Wood Dark	WD0734.VR046
Basket-shelf Dividers, Series 360, Wood Light	WD0745.VR036
Basket-shelf Dividers, Series 360, Wood Dark	WD0744.VR036



The table shows the minimal space needed at the back and the front (edge of the Side Holder to front or back side of the carcass).

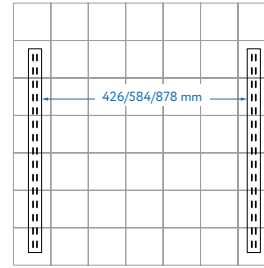
## Things You Should Know When Designing a Storage System

After receiving the room dimensions and your customer's individual requirements, you should pay attention to the following:

If the system elements are 607 mm wide, then the internal distance between the rails should be 584 mm.

If the system elements are 450 mm wide, then the internal distance between the rails should be 426 mm.

If the system elements are 900 mm wide, then the internal distance between the rails should be 878 mm.

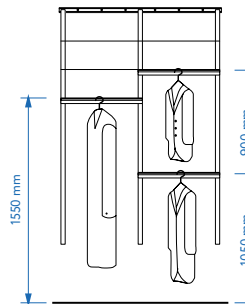


## Please Remember

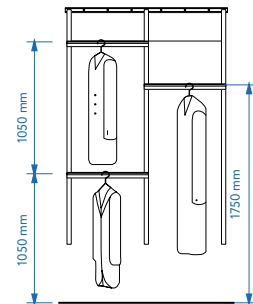
- Mesh Shelves, Top-hung and Wall-mount Rails can be cut to the required length by sawing off excess length.
- The standard distance between the brackets for the shelves is 420 mm height, but it can be changed according to the customer's wish.
- The Shoe Rack needs about 250 mm free space above it (about 6 open slots) for easy storage and access.
- Basket S (85 mm high), needs 3 free slots on Top-hung Rails (incl. the bracket).
- Basket M (185 mm high), needs 6 free slots on Top-hung Rails (incl. the bracket).
- Basket L (285 mm high), needs 10 free slots on Top-hung Rails (incl. the bracket).
- Pull-out Shelves for clothes need 3 free slots on Top-hung Rails (incl. the bracket).
- The Shelf for Clothes (incl. the bracket) needs 3 free slots on Top-hung Rails.
- The Pull-out Rack for Trousers needs 3 free slots on Top-hung Rails (incl. the bracket). Trousers usually need 760 mm free space below the rack.
- If you choose wall mounting, the distance between the axes (centers) of the wall-mounted rails should be 609.4 mm, for the shelves of 607 mm width.

## Height Recommendation for the Clothes Bar

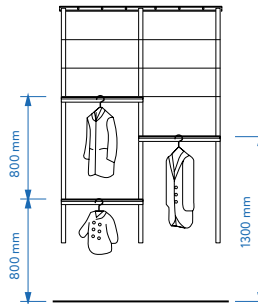
### Body Height < 175 mm



### Body Height > 175 mm



### Body Height (Children) < 150 mm



## Storage System. Melamine Shelves Installation

- 1 Install the Special-purpose Brackets into the slots of either Wall-mount or Top-hung Rails (Fig. 1).
- 2 Install the Special-purpose Braces into the brackets' gaps (Fig. 2).
- 3 Put the melamine shelf on top and mark the location where to connect with bracket and brace (Fig. 3). Do the same with all the shelves
- 4 Position the shelves in the asse Position the shelves according to the marks that you did before (Fig. 4).

- 5 Install Special-purpose Clamps in the chosen positions (Fig. 5).

- 6 Join adjacent shelves with braces (Fig. 6).

- 7 Insert the shelves into the brackets so that clamps and braces were located precisely in their slots (Fig. 7).

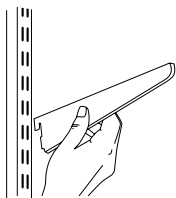


Fig. 1

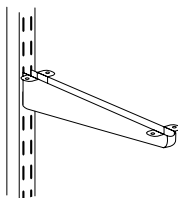


Fig. 2

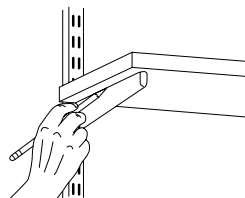


Fig. 3



Fig. 4

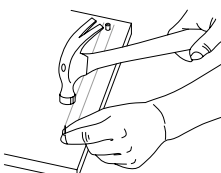


Fig. 5

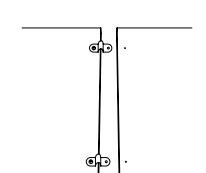


Fig. 6

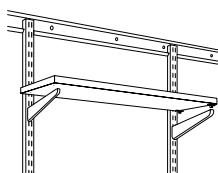
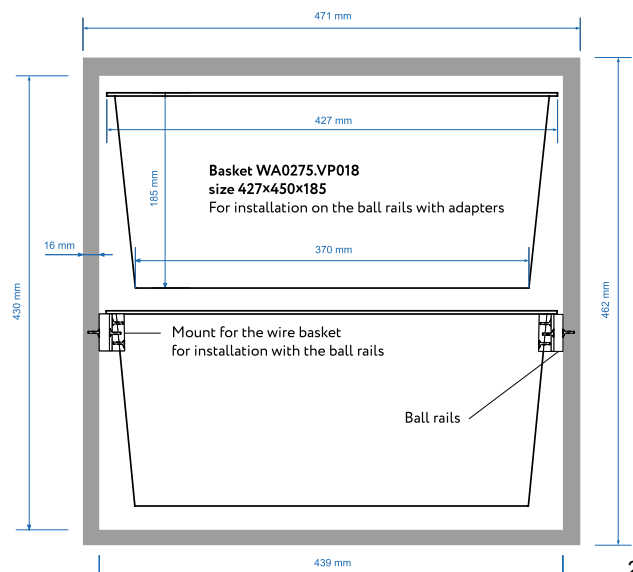


Fig. 7

## Cabinet assembly

Cabinet depth 470 mm  
Made from chipboard



**Storage System. Wire Shelves, Series 360**



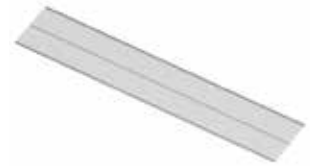
**WA0287.VP045**  
**Wire Shelf,**  
**Series 360, L=450**  
 450x305x14 mm  
 1/6 pcs per pack  
 Colors: Metallic, White, Black



**WA0287.VP060**  
**Wire Shelf,**  
**Series 360, L=607**  
 606x305x14 mm  
 6 pcs per pack  
 Colors: Metallic, White, Black



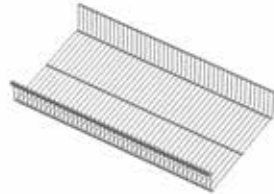
**WA0287.VP090**  
**Wire Shelf,**  
**Series 360, L=900**  
 900x305x14 mm  
 6 pcs per pack  
 Colors: Metallic, White, Black



**WA0287.VP182**  
**Wire Shelf,**  
**Series 360, L=1823**  
 1823x305x14 mm  
 6 pcs per pack  
 Colors: Metallic, White, Black



**WA0345.VP045**  
**Wire Basket-shelf,**  
**Series 360, L=450**  
 451x335x95 mm  
 1/6 pcs per pack  
 Colors: Metallic, White, Black



**WA0345.VP060**  
**Wire Basket-shelf,**  
**Series 360, L=607**  
 605x335x95 mm  
 6 pcs per pack  
 Colors: Metallic, White, Black



**WA0290.VP036**  
**Multi-purpose Bracket,**  
**Series 360**  
 12x333x56 mm  
 10/40 pcs per pack  
 Colors: Metallic, White, Black



**WA2934.VR036**  
**Bracket Covers,**  
**Series 360**  
 8x406x14 mm  
 50/400 pcs per pack  
 Colors: Metallic, White, Black

**Storage System. Wire Shelves, Series 460**



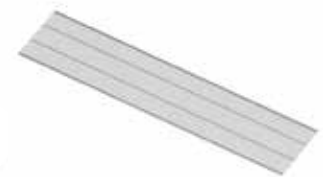
**WA0288.VP045**  
**Wire Shelf,**  
**Series 460, L=450**  
 451x406x14 mm  
 1/6 pcs per pack  
 Colors: Metallic, White, Black



**WA0288.VP060**  
**Wire Shelf,**  
**Series 460, L=607**  
 605x406x14 mm  
 6 pcs per pack  
 Colors: Metallic, White, Black



**WA0288.VP090**  
**Wire Shelf,**  
**Series 460, L=900**  
 900x406x14 mm  
 6 pcs per pack  
 Colors: Metallic, White, Black



**WA0288.VP182**  
**Wire Shelf,**  
**Series 460, L=1823**  
 1823x406x14 mm  
 6 pcs per pack  
 Colors: Metallic, White, Black



**WA0335.VP045**  
**Wire Basket-shelf,**  
**Series 460, L=450**  
 451x437x95 mm  
 1/6 pcs per pack  
 Colours: Metallic, White, Black



**WA0335.VP060**  
**Wire Basket-shelf,**  
**Series 460, L=607**  
 605x437x95 mm  
 6 pcs per pack  
 Colors: Metallic, White, Black



**WA0291.VP046**  
**Multi-purpose Bracket,**  
**Series 460**  
 12x436x74 mm  
 10/40 pcs per pack  
 Colors: Metallic, White, Black

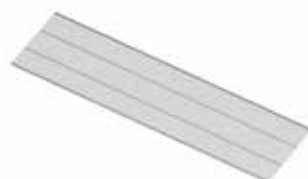


**WA2956.VR046**  
**Bracket Covers,**  
**Series 460**  
 8x424x16 mm  
 50/200 pcs per pack  
 Colors: Metallic, White, Black

**Storage System. Wire Shelves, Series 540**



**WA0289.VP060**  
**Wire Shelf,**  
**Series 540, L=607**  
 605x494x14 mm  
 6 pcs per pack  
 Colors: Metallic, White, Black



**WA0289.VP182**  
**Wire Shelf,**  
**Series 540, L=1823**  
 1823x494x14 mm  
 6 pcs per pack  
 Colors: Metallic, White, Black



**WA0292.VP054**  
**Multi-purpose Bracket,**  
**Series 540**  
 12x522x74 mm  
 10/40 pcs per pack  
 Colors: Metallic, White, Black



**WA2978.VR054**  
**Bracket Covers,**  
**Series 540**  
 8x501x16 mm  
 50/200 pcs per pack  
 Colors: Metallic, White, Black

Storage System. Additional Elements for Melamine Shelves



**WA0310.VS000**  
Special-purpose Braces

45x12x15 mm  
The set includes: 6 pcs+12 screws  
1/50/200 pcs per pack  
Colors: Metallic, White



**WA0311.VS000**  
Special-purpose Clamps

8x20 mm  
10 pcs per set  
50/200 pcs per pack



NEW

**WA0498.VP030**  
Special-purpose Bracket,  
L=300

12x290x56 mm  
1/40 pcs per pack  
Colors: Metallic, White, Black



NEW

**WA0499.VP040**  
Special-purpose Bracket,  
L=400

12x390x56 mm  
1/40 pcs per pack  
Colors: Metallic, White, Black



**WA0336.VP049**  
Special-purpose Bracket,  
L=490

12x490x73 mm  
1/40 pcs per pack  
Colors: Metallic, White, Black

Storage System. Wall Mount



**WA0369.VR000**  
Wall-mount Plates

108x40x17 mm  
2 pcs per set  
80 sets per pack  
Colors: Metallic, White, Black



**WA0339.VP000**  
Wall Rail End Cover

25x17x16 mm  
100 pcs per pack  
Colors: Metallic, White, Black

Storage System. Pull-out Elements, Series 460



**WA0389.VP045**  
Pull-out Basket Frame,  
Series 460, L=450

448x432x29 mm  
1/5 pcs per pack  
Colours: Metallic, White, Black



**WA0390.VP045**  
Pull-out Basket Frame w/ Soft  
Closer, Series 460, L=450

448x445x47 mm  
1/5 pcs per pack  
Colours: Metallic, White, Black



**WA0387.VP060**  
Pull-out basket frame,  
series 460, L=607

607x432x29 mm  
1/5 pcs per pack  
Colors: Metallic, White, Black



**WA0371.VP060**  
Basket Frame w/ Soft Closer,  
Series 460, L=607

607x445x47 mm  
5 pcs per pack  
Colors: Metallic, White, Black



**WA0410.VP045**  
Pull-out Trousers Rack,  
Series 460, L=450

448x437x29 mm  
1/5 pcs per pack  
Colours: Metallic, White, Black



**WA0393.VP045**  
Pull-out Trousers Rack w/ Soft  
Closer, Series 460, L=450

448x445x47 mm  
1/5 pcs per pack  
Colours: Metallic, White, Black



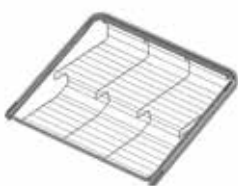
**WA0411.VP060**  
Pull-out trousers rack,  
series 460, L=607

607x437x25 mm  
1/5 pcs per pack  
Colors: Metallic, White, Black



**WA0385.VP060**  
Pull-out trousers rack w/soft  
closer, series 460, L=607

607x445x47 mm  
1/5 pcs per pack  
Colors: Metallic, White, Black



**WA0412.VP045**  
Pull-out Shoe Rack,  
Series 460, L=450

448x432x95 mm  
1/5 pcs per pack  
Colours: Metallic, White, Black



**WA0394.VP045**  
Pull-out Shoe Rack, w/ Soft  
Closer, Series 460, L=450

448x445x107 mm  
1/5 pcs per pack  
Colours: Metallic, White, Black



**WA0413.VP060**  
Pull-out shoe rack,  
series 460, L=607

607x432x95 mm  
1/5 pcs per pack  
Colors: Metallic, White, Black

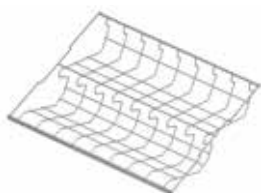


**WA0386.VP060**  
Pull-out shoe rack w/soft  
closer, series 460, L=607

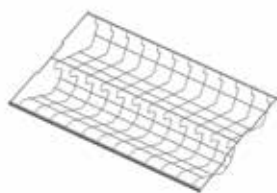
607x445x107 mm  
1/5 pcs per pack  
Colors: Metallic, White, Black



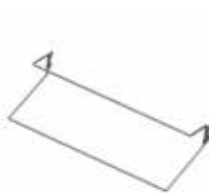
Storage System. Pull-out Elements, Series 460



**WA0352.VP045**  
**Static Shoe Rack,**  
**Series 460, L=450**  
 450x410x98 mm  
 1/5 pcs per pack  
 Colors: Metallic, White, Black



**WA0352.VP060**  
**Static Shoe Rack,**  
**Series 460, L=607**  
 608x410x98 mm  
 1/5 pcs per pack  
 Colors: Metallic, White, Black



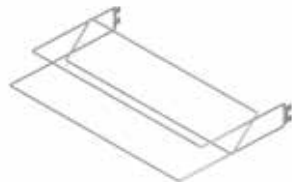
**WA0396.VP045**  
**Shoe Rack - 1 Level,**  
**L=450**  
 442x203x96 mm  
 1/10 pcs per pack  
 Colors: Metallic, White, Black



**WA0304.VP060**  
**Shoe Rack - 1 Level,**  
**L=607**  
 600x203x96 mm  
 1/10 pcs per pack  
 Colors: Metallic, White, Black



**WA0395.VP045**  
**Shoe Rack - 2 Levels,**  
**L=450**  
 442x379x88 mm  
 1/10 pcs per pack  
 Colors: Metallic, White, Black



**WA0350.VP060**  
**Shoe Rack - 2 Levels,**  
**L=607**  
 600x379x88 mm  
 1/10 pcs per pack  
 Colors: Metallic, White, Black

Storage System. Decor Elements



**WD0404.VP045**  
**Wooden Shelf,**  
**Series 460, L=450**  
 449x441x32 mm  
 1/5 pcs per pack  
 Colors:  
 Wood Dark/Metallic



**WD0405.VP045**  
**Wooden Shelf,**  
**Series 460, L=450**  
 449x441x32 mm  
 1/5 pcs per pack  
 Colors:  
 Wood Light/Metallic



**WD0406.VP045**  
**Wooden Shelf,**  
**Series 460, L=450**  
 449x441x32 mm  
 1/5 pcs per pack  
 Colors:  
 Wood White/White



**WD0328.VP060**  
**Wooden Shelf,**  
**Series 460, L=450**  
 606x441x32 mm  
 1/5 pcs per pack  
 Colors: Wood Dark/Metallic



**WD0329.VP060**  
**Wooden Shelf,**  
**Series 460, L=607**  
 606x441x32 mm  
 1/5 pcs per pack  
 Colors: Wood Light/Metallic



**WD0375.VP060**  
**Wooden Shelf,**  
**Series 460, L=607**  
 606x441x32 mm  
 1/5 pcs per pack  
 Color: Wood White/White



**WD0744.VR036**  
**Basket-shelf Dividers,**  
**Series 360, Wood Dark**  
 10x324x90 mm  
 2 pcs per pack  
 1/10 sets per pack  
 Colors: Wood Dark



**WD0745.VR036**  
**Basket-shelf Dividers,**  
**Series 360, Wood Light**  
 10x324x90 mm  
 2 pcs per pack  
 1/10 sets per pack  
 Colors: Wood Light



**WD0378.VR046**  
**Basket-shelf Dividers,**  
**Series 360, Wood White**  
 10x324x90 mm  
 2 pcs per pack  
 1/10 sets per pack  
 Colors: Wood White



**WD0734.VR046**  
**Basket-shelf Dividers,**  
**Series 460, Wood Dark**  
 10x425x90 mm  
 2 pcs per pack  
 1/10 sets per pack  
 Colors: Wood Dark



**WD0735.VR046**  
**Basket-shelf Dividers,**  
**Series 460, Wood Light**  
 10x425x90 mm  
 2 pcs per pack  
 1/10 sets per pack  
 Colors: Wood Light



**WD0379.VR036**  
**Basket-shelf Dividers,**  
**Series 460, Wood White**  
 10x425x90 mm  
 2 pcs per pack  
 1/10 sets per pack  
 Colors: Wood White



**WD0468.VP060**  
**Accessories shelf facade,**  
**series 460, L=607**  
 606x442x82 mm  
 1/3 pcs per pack  
 Colors:  
 Wood Dark/Metallic



**WD0469.VP060**  
**Accessories shelf facade,**  
**series 460, L=607**  
 606x442x82 mm  
 1/3 pcs per pack  
 Colors:  
 Wood Light/Metallic



**WD0470.VP060**  
**Accessories shelf facade,**  
**series 460, L=607**  
 606x442x82 mm  
 1/3 pcs per pack  
 Colors:  
 Wood White/White



**WD0382.VP000**  
**Accessories Shelf Cover**  
 561x412x6 mm  
 1/3 pcs per pack  
 Color: Wood Dark



**WD0383.VP000**  
**Accessories Shelf Cover**  
 561x412x6 mm  
 1/3 pcs per pack  
 Color: Wood Light



**WD0377.VP000**  
**Accessories Shelf Cover**  
 561x412x6 mm  
 1/3 pcs per pack  
 Color: Wood White



**WD0384.VP000**  
**Accessories Shelf Cover, Glass**  
 561x412x5 mm  
 1/3 pcs per pack



**WD0414.VP045**  
**Pull-out Basket Frame,**  
**Series 460, L=450**  
 447x447x38 mm  
 1/5 pcs per pack  
 Colors:  
 Wood Dark/Metallic  
 Wood Dark/Black



**WD0415.VP045**  
**Pull-out Basket Frame,**  
**Series 460, L=450**  
 447x447x38 mm  
 1/5 pcs per pack  
 Colors:  
 Wood Light/Metallic  
 Wood Light/White  
 Wood Light/Black



**WD0416.VP045**  
**Pull-out Basket Frame,**  
**Series 460, L=450**  
 447x447x38 mm  
 1/5 pcs per pack  
 Colors:  
 Wood White/White



**WD0407.VP045**  
**Basket Frame w/ Soft Closer,**  
**Series 460, L=450**  
 447x456x51 mm  
 1/5 pcs per pack  
 Colors:  
 Wood Dark/Metallic  
 Wood Dark/Black



**WD0408.VP045**  
**Basket Frame w/ Soft Closer,**  
**Series 460, L=450**  
 447x456x51 mm  
 1/5 pcs per pack  
 Colors:  
 Wood Light/Metallic  
 Wood Light/White  
 Wood Light/Black



**WD0300.VP060**  
**Pull-out Basket Frame,**  
**Series 460, L=607**  
 606x447x38 mm  
 1/5 pcs per pack  
 Colors: Wood Dark/Metallic



**WD0301.VP060**  
**Pull-out Basket Frame,**  
**Series 460, L=607**  
 606x447x38 mm  
 1/5 pcs per pack  
 Colors: Wood Light/Metallic  
 Wood Light/White



**WD0360.VP060**  
**Basket Frame w/ Soft Closer,**  
**Series 460, L=607**  
 606x456x51 mm  
 1/5 pcs per pack  
 Colors: Wood Dark/Metallic  
 Wood Dark/Black



**WD0361.VP060**  
**Basket Frame w/ Soft Closer,**  
**Series 460, L=607**  
 606x456x51 mm  
 1/5 pcs per pack  
 Colors: Wood Light/Metallic  
 Wood Light/White  
 Wood Light/Black



**WD0372.VP060**  
**Basket Frame w/ Soft Closer,**  
**Series 460, L=607**  
 606x456x51 mm  
 1/5 pcs per pack  
 Color:  
 Wood White/White



**WD0305.VP060**  
**Shoe Rack - 2 Levels,**  
**L=607**  
 600x384x98 mm  
 1/8 pcs per pack  
 Colors:  
 Wood Dark/Metallic



**WD0306.VP060**  
**Shoe Rack - 2 Levels,**  
**L=607**  
 600x384x98 mm  
 1/8 pcs per pack  
 Colors:  
 Wood Light/Metallic  
 Wood Light/White



**WD0427.VP607**  
**Facade 85 mm**

447x450x35 mm  
1/3 pcs per pack  
Colors: Wood White/White



**WD0426.VP607**  
**Facade 85 mm**

447x450x35 mm  
1/3 pcs per pack  
Colors: Wood Light/Metallic



**WD0425.VP607**  
**Facade 85 mm**

447x450x35 mm  
1/3 pcs per pack  
Colors: Wood Dark/Metallic



**WD0430.VP607**  
**Facade 185 mm**

447x450x35 mm  
1/3 pcs per pack  
Colors: Wood White/White



**WD0429.VP607**  
**Facade 185 mm**

447x450x35 mm  
1/3 pcs per pack  
Colors: Wood Light/Metallic



**WD0428.VP607**  
**Facade 185 mm**

447x450x35 mm  
1/3 pcs per pack  
Colors: Wood Dark/Metallic



**WD0433.VP607**  
**Facade 285 mm**

450x455x51 mm  
1/3 pcs per pack  
Colors: Wood White/White



**WD0432.VP607**  
**Facade 285 mm**

450x455x51 mm  
1/3 pcs per pack  
Colors: Wood Light/Metallic



**WD0431.VP607**  
**Facade 285 mm**

450x455x51 mm  
1/3 pcs per pack  
Colors: Wood Dark/Metallic



**WD0436.VP607**  
**Facade used under Accessories Shelf, 85 mm**

450x455x51 mm  
1/3 pcs per pack  
Colors: Wood White/White



**WD0435.VP607**  
**Facade used under Accessories Shelf, 85 mm**

450x455x51 mm  
1/3 pcs per pack  
Colors: Wood Light/Metallic



**WD0434.VP607**  
**Facade used under Accessories Shelf, 85 mm**

450x455x51 mm  
1/3 pcs per pack  
Colors: Wood Dark/Metallic



**WD0439.VP607**  
**Facade used under Accessories Shelf, 185 mm**

449x441x32 mm  
1/3 pcs per pack  
Colors: Wood White/White



**WD0438.VP607**  
**Facade used under Accessories Shelf, 185 mm**

449x441x32 mm  
1/3 pcs per pack  
Colors: Wood Light/Metallic



**WD0437.VP607**  
**Facade used under Accessories Shelf, 185 mm**

449x441x32 mm  
1/3 pcs per pack  
Colors: Wood Dark/Metallic



**WD0442.VP607**  
**Facade used under Accessories Shelf, 285 mm**

449x32x32 mm  
1/3 pcs per pack  
Colors: Wood White/White



**WD0441.VP607**  
**Facade used under Accessories Shelf, 285 mm**

449x32x32 mm  
1/3 pcs per pack  
Colors: Wood Light/Metallic



**WD0440.VP607**  
**Facade used under Accessories Shelf, 285 mm**

449x32x32 mm  
1/3 pcs per pack  
Colors: Wood Dark/Metallic



**WD0424.VP607**  
**Facade Frame, Series 460, L=607**

600x430x51 mm  
1/5 pcs per pack  
Colors: Wood White/White



**WD0422.VP607**  
**Facade Frame, Series 460, L=607**

600x430x51 mm  
1/5 pcs per pack  
Colors: Wood Dark/Metallic  
Wood Dark/Black



WD0423.VP607

**Facade Frame,  
Series 460, L=607**

600x430x51 mm

1/5 pcs per pack

Colors: Wood Light/Metallic

Wood Light/White

Wood Light/Black



Interior:

ARISTO Storage System

White Color

Wooden Decor: Wood Light



Interior:  
 Aristo Storage System  
 White Color  
 Wooden Decor: Wood Light



**WD0417.VP045**  
**Pull-out Trousers Rack,**  
**Series 460, L=450**  
 447x446x38 mm  
 1/5 pcs per pack  
 Colors: Wood Dark/Metallic  
 Wood Dark/Black



**WD0418.VP045**  
**Pull-out Trousers Rack,**  
**Series 460, L=450**  
 447x446x38 mm  
 1/5 pcs per pack  
 Colors: Wood Light/Metallic  
 Wood Light/White  
 Wood Light/Black



**WD0419.VP045**  
**Pull-out Trousers Rack,**  
**Series 460, L=450**  
 447x446x38 mm  
 1/5 pcs per pack  
 Colors: Wood White/White



**WD0302.VP060**  
**Pull-out Trousers Rack,**  
**Series 460, L=607**  
 606x446x38 mm  
 1/5 pcs per pack  
 Colors: Wood Dark/Metallic



**WD0303.VP060**  
**Pull-out Trousers Rack,**  
**Series 460, L=607**  
 606x446x38 mm  
 1/5 pcs per pack  
 Colors: Wood Light/Metallic  
 Wood Light/White



**WD0362.VP060**  
**Trousers Rack w/ Soft Closer,**  
**Series 460, L=607**  
 606x456x51 mm  
 1/5 pcs per pack  
 Colors: Wood Dark/Metallic  
 Wood Dark/Black



**WD0363.VP060**  
**Trousers Rack w/ Soft Closer,**  
**Series 460, L=607**  
 606x456x51 mm  
 1/5 pcs per pack  
 Colors: Wood Light/Metallic  
 Wood Light/White  
 Wood Light/Black



**WD0373.VP060**  
**Trousers Rack w/ Soft Closer,**  
**Series 460, L=607**  
 606x456x51 mm  
 1/5 pcs per pack  
 Color: Wood White/White

Storage System. Décor Elements



**WD0398.VP045**  
**Wire Shelf Plank,**  
**L=450**  
 449x32x32 mm  
 1/20 pcs per pack  
 Colors: Wood Dark



**WD0399.VP045**  
**Wire Shelf Plank,**  
**L=450**  
 449x32x32 mm  
 1/20 pcs per pack  
 Colors: Wood Light



**WD0400.VP045**  
**Wire Shelf Plank,**  
**L=450**  
 449x32x32 mm  
 1/20 pcs per pack  
 Colors: Wood White



**WD0324.VP060**  
**Wire Shelf Plank,**  
**L=607, Wood Dark**  
 605x32x32 mm  
 1/20 pcs per pack  
 Colors: Wood Dark



**WD0325.VP060**  
**Wire Shelf Plank,**  
**L=607, Wood Light**  
 605x32x32 mm  
 1/20 pcs per pack  
 Colors: Wood Light



**WD0374.VP060**  
**Wire Shelf Plank,**  
**L=607, Wood White**  
 605x32x32 mm  
 1/20 pcs per pack  
 Colors: Wood White

Interior:  
 Aristo Storage System  
 White Color  
 Wooden Decor: Wood Light





**WA0340.VP046**  
**Wire Shelf Divider, Series 460**  
 197x380x20 mm  
 10/60 pcs per pack  
 Colors: Metallic, White, Black



**WA0341.VP000**  
**Side Support**  
 13x216x93 mm  
 10/120 pcs per pack  
 Colors: Metallic, White, Black



**WA0342.VP000**  
**Tie Holder, Series 460**  
 88x388x136 mm  
 10/30 pcs per pack  
 Colors: Metallic, White



**WA0343.VP000**  
**Clothes Hanger, Series 460**  
 8x388x88 mm  
 10/60 pcs per pack  
 Color: Chrome



**WA0344.VP000**  
**Clothes Hanger, Series 360**  
 8x288x88 mm  
 10/80 pcs per pack  
 Color: Chrome



**WA0309.VS000**  
**Multi-purpose Hooks**  
 23x32x80 mm  
 3 pcs per set  
 25/100 sets per pack  
 Colors: Metallic, White, Black



**WA0308.VR000**  
**Round Rod Suspensions**  
 35x35x85 mm  
 2 pcs per set  
 20/100 sets per pack  
 Colors: Metallic, White, Black



**WA0349.VP036**  
**Side Hooks, Series 360**  
 39x35x315 mm  
 6/60 pcs per pack  
 Colors: Metallic, White, Black



**WA0349.VP046**  
**Side Hooks, Series 460**  
 39x35x416 mm  
 6/60 pcs per pack  
 Colors: Metallic, White, Black



**WA0348.VP036**  
**Side Shelf, Series 360**  
 86x41x316 mm  
 6/36 pcs per pack  
 Colors: Metallic, White, Black



**WA0348.VP046**  
**Side Shelf, Series 460**  
 86x41x418 mm  
 6/36 pcs per pack  
 Colors: Metallic, White, Black



**WA0351.VP000**  
**Cross Bracket for Basket**  
 75x220x5 mm  
 12 pcs per pack  
 Colors: Metallic, White, Black



**WA0645.VR036**  
**Basket-shelf Dividers, Series 360, Transparent**  
 11x333x96 mm  
 2 pcs per set  
 40 sets per pack



**WA0635.VR046**  
**Basket-shelf Dividers, Series 460, Black**  
 11x435x96 mm  
 2 pcs per set  
 40 sets per pack



**WA0358.VP000**  
**Multi-purpose Basket**  
 147x424x141 mm  
 12 pcs per pack  
 Colors: Metallic, White, Black



**WA0357.VP060**  
**Clothes Dryer Rack**  
 67x645x607 mm  
 Dryer Rack - 1 pc, Bracket - 2 pcs  
 5 sets per pack  
 Colors: Metallic, White, Black



**WA0180.VP200**  
**Round rod**  
 2000x25 mm  
 1/10 pcs per pack  
 Color : Black



**WA0026.VR000**  
**Round Rod End Covers, Black**  
 20x25x20 mm  
 2 pcs per set  
 50 pcs per pack



**WA0201.VR000**  
**Round Rod End Covers, Chrome**  
 15x25x25 mm  
 50 pcs per pack



**WA0180.VP300**  
**Round Rod, L=3000, Chrome**  
 3000x25 mm  
 Thickness 1 mm  
 1/10 pcs per pack

**Storage System. Accessories for Shelves**



**WA0318.VP036**  
**Wire Shelf Cover, Series 360**  
 18x309x19 mm  
 20/100 pcs per pack  
 Colors: Metallic, White, Black



**WA0318.VP046**  
**Wire Shelf Cover, Series 460**  
 18x410x19 mm  
 20/100 pcs per pack  
 Colors: Metallic, White, Black



**WA0318.VP054**  
**Wire Shelf Cover, Series 540**  
 18x499x19 mm  
 20/100 pcs per pack  
 Colors: Metallic, White, Black

**Mirrors**



NEW

**WD0446.VP060**  
**Mirror in a wooden frame, L=607**  
 600x16x570 mm  
 5 pcs per pack  
 Color: Wood Dark/Metallic  
 Wood Dark/Black



NEW

**WD0447.VP060**  
**Mirror in a wooden frame, L=607**  
 600x16x570 mm  
 5 pcs per pack  
 Color: Wood Light/White  
 Wood Light/Metallic  
 Wood Light/Black



NEW

**WD0448.VP060**  
**Mirror in a wooden frame, L=607**  
 600x16x570 mm  
 5 pcs per pack  
 Color: Wood White/White



NEW

**WD0443.VP060**  
**Under Mirror Shelf**  
 605x33x130 mm  
 5 pcs per pack  
 Color: Wood White, Wood Light, Wood Dark



NEW

**AA0421.VP057**  
**Mirror 4mm with protective film L=450**  
 442x21x570 mm  
 5 pcs per pack  
 Color: Black Matt, Silver Matt, White



NEW

**AA0420.VP057**  
**Mirror 4mm with protective film L=607**  
 600x21x570 mm  
 5 pcs per pack  
 Color: Black Matt, Silver Matt, White



NEW

**AA0421.VP114**  
**Mirror 4mm with protective film L=450**  
 442x21x1146 mm  
 5 pcs per pack  
 Color: Black Matt, Silver Matt, White



NEW

**AA0420.VP114**  
**Mirror 4mm with protective film L=607**  
 600x21x1146 mm  
 5 pcs per pack  
 Color: Black Matt, Silver Matt, White



NEW

**AA0421.VP172**  
**Mirror 4mm with protective film L=450**  
 442x21x1722 mm  
 5 pcs per pack  
 Color: Black Matt, Silver Matt, White



NEW

**AA0420.VP172**  
**Mirror 4mm with protective film L=607**  
 600x21x1722 mm  
 5 pcs per pack  
 Color: Black Matt, Silver Matt, White





## UTILITY ROOM STORAGE SYSTEM NEW

ARISTO storage system for utility room allows correct planning of the space and highlighting different zones: rarely used items, garden and hardware tools, sports equipment.

Hooks of the utility room storage system can withstand loads up to 23 kg. Wire shelves will not bend from the weight even of a heavy tool: each bracket can withstand up to 20 kg. If you plan to store more than 40 kg on the shelf, you can install additional brackets.

Steel is resistant to temperature fluctuations and does not deform over time.

NEW



AG0532.VP000.MG0PC.CN

**Special double hook,  
rail/wall mount**

80x185x327 mm  
Color: Metallic

NEW



AG0533.VP000.MG0PC.CN

**Wide hook,  
rail/wall mount**

167x122x232 mm  
Color: Metallic

NEW



AG0531.VP000.MG0PC.CN

**Straight double hook,  
rail/wall mount**

80x185x283 mm  
Color: Metallic

NEW



AG0536.VP000.MG0PC.CN

**Straight hook,  
rail/wall mount**

53x149x257 mm  
Color: Metallic

NEW



AG0535.VP000.MG0PC.CN

**Round double hook,  
rail/wall mount**

80x260x184 mm  
Color: Metallic

NEW



AG0530.VP000.MG0PC.CN

**Bike rack,  
rail/wall mount**

100x320x146 mm  
Color: Metallic

NEW



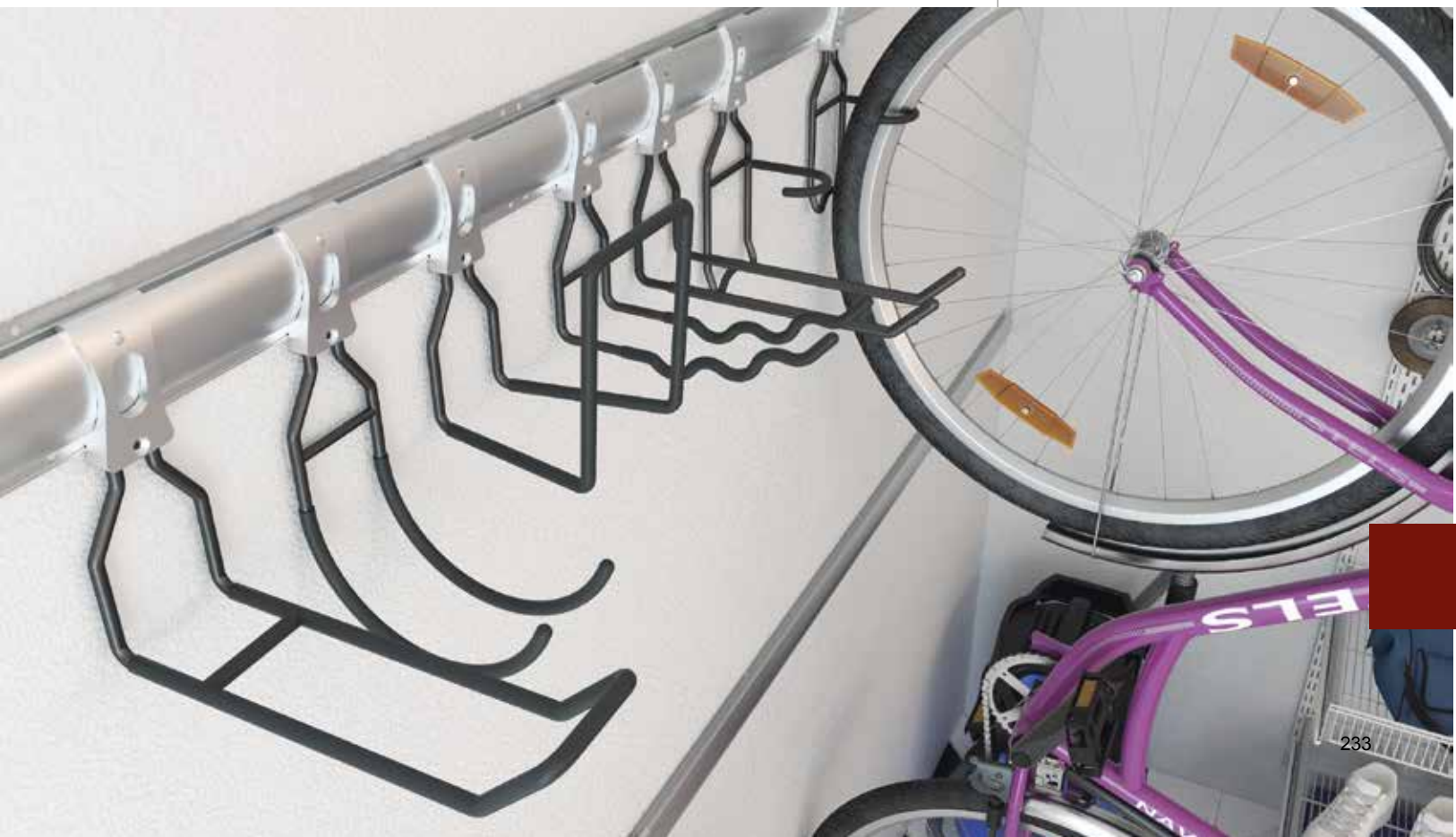
AG0503.VP076.MG0PC.CN  
AG0502.VP155.MG0PC.CN

**Bearing track**

760x18x80 mm  
1550x18x80 mm  
Color: Metallic

Interior:

*Utility Room Storage System  
With anti-slip coating*



Utility Room Storage System. Accessories for Perforated Panel

NEW



MA1201.VP000.MG0PC.CG  
**Small clamp for perforated panel**  
 33x42x38 mm  
 20/100 pcs per pack  
 Colors: Metallic, White, Black

NEW



MA1203.VP000.MG0PC.CG  
**Small clamp for perforated panel**  
 33x53x72 mm  
 20/100 pcs per pack  
 Colors: Metallic, White, Black

NEW



MA1204.VP000.MG0PC.CG  
**Double hook for perforated panel**  
 33x55x31 mm  
 20/100 pcs per pack  
 Colors: Metallic, White, Black

NEW



MA1206.VP000.MG0PC.CG  
**Radius hook for perforated panel**  
 45x29x66 mm  
 20/100 pcs per pack  
 Colors: Metallic, White, Black

NEW



MA1208.VP000.MG0PC.CG  
**Hook for perforated panel**  
 33x29x59 mm  
 20/100 pcs per pack  
 Colors: Metallic, White, Black

NEW



MA1207.VP000.MG0PC.CG  
**Long hook for perforated panel**  
 33x29x83 mm  
 20/100 pcs per pack  
 Colors: Metallic, White, Black

NEW



MA1205.VP000.MG0PC.CG  
**Double long hook for perforated panel**  
 36x55x82 mm  
 20/100 pcs per pack  
 Colors: Metallic, White, Black

NEW



MA1209.VP000.MG0PC.CG  
**Tray for perforated panel**  
 41x40x88 mm  
 20/100 pcs per pack  
 Colors: Metallic, White, Black

NEW



MA0503.VP011.MG0PC.CG  
**Key holder**  
 196x116x36 mm  
 20/100 pcs per pack  
 Colors: Metallic, White, Black

NEW



MA0504.VP039.MG0PC.CG  
**Tool holder**  
 10x395x40 mm  
 20/100 pcs per pack  
 Colors: Metallic, White, Black

NEW



MA0502.VP060.MG0PC.CG  
**Perforated panel**  
 254x601x17 mm  
 6 pcs per pack  
 Colors: Metallic, White, Black

Accessories

NEW



WA0515.VP000.MG0PC.CG  
**Iron holder**  
 200x386x204 mm  
 Colors: Metallic, White, Black

NEW



WA0516.VP000.MG0PC.CG  
**Vacuum cleaner holder**  
 334x339x79 mm  
 Colors: Metallic, White, Black

NEW



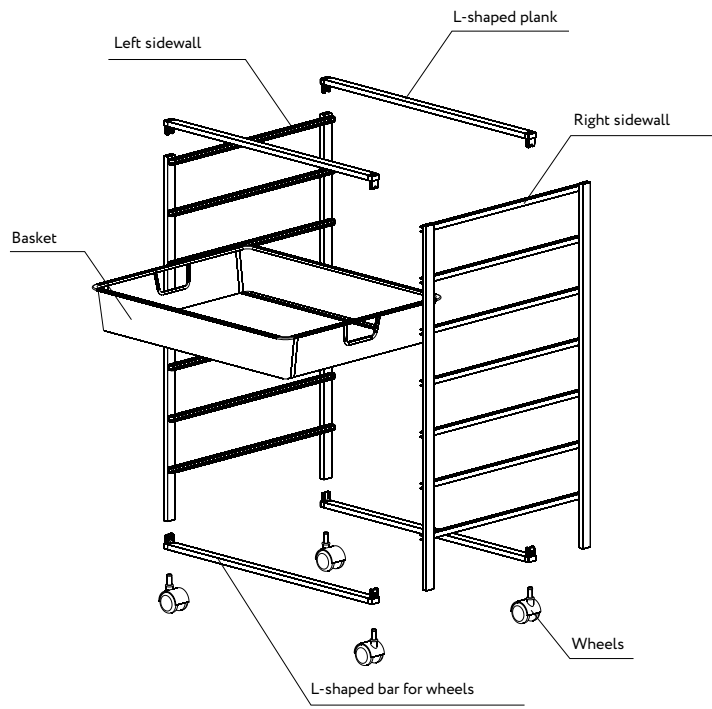
WA0476.VP000.MG0PC.CG  
**Under mirror holder**  
 600x133x49 mm  
 Colors: Metallic, White, Black

NEW



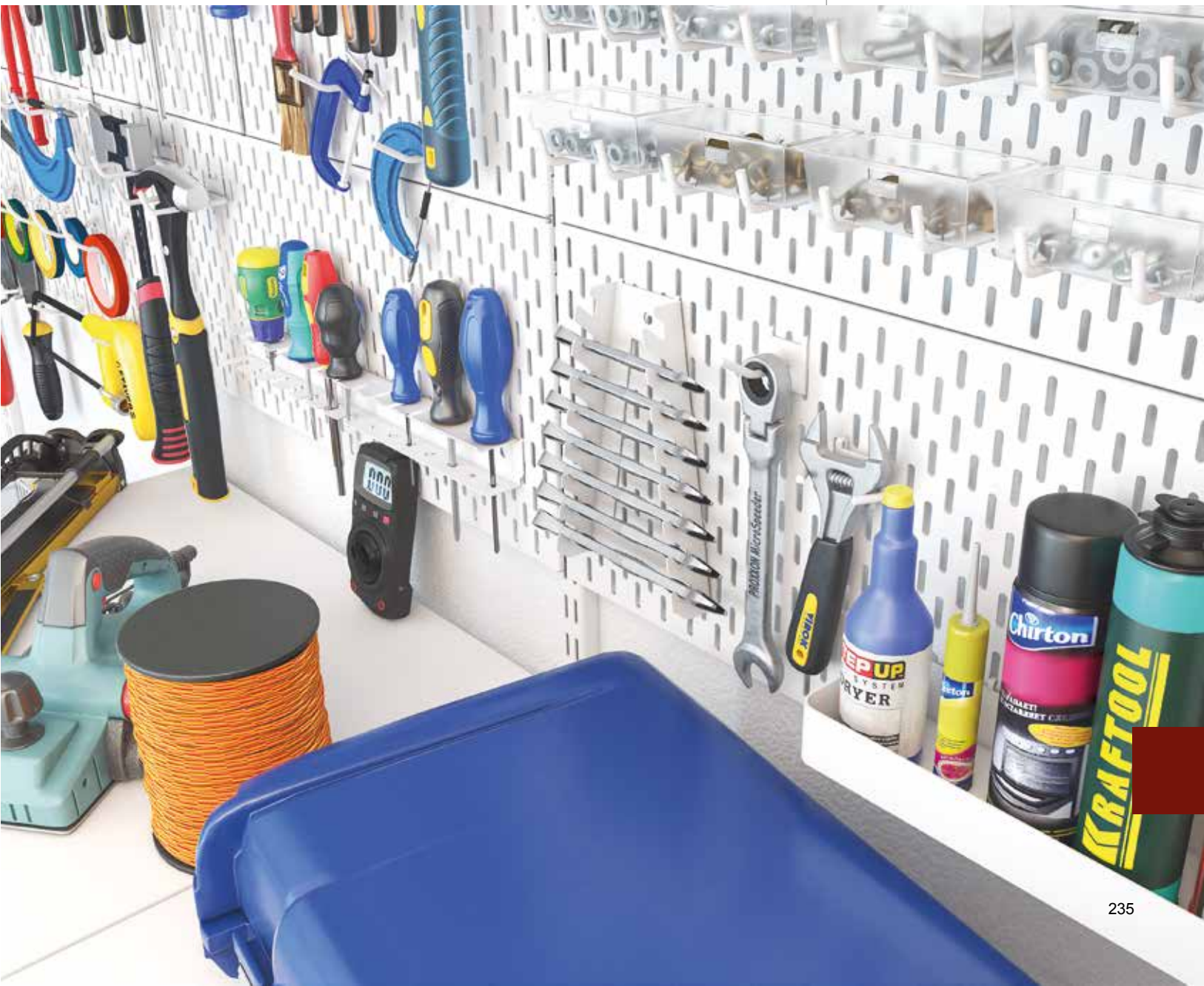
WA0492.VP000  
**Rack with 7 rails**  
 780x550x435 mm  
 Colors: Metallic, White, Black

## Assembling of Rack with 7 rails on wheels



### Interior:

Utility Room Storage System  
White color  
Perforated panel assembly





**International Markets**

ARISTO INTERNATIONAL LLC  
+971 4243 8 663 (ext. 120)  
sales@aristo.com  
Crystal Tower, 11th Floor, Al Asayel St,  
Business Bay, Dubai, UAE



**India / Indian Subcontinent**

KBROS ARISTO PVT LIMITED  
Mr. Thomas George (English, हिन्दी )  
+91 9663 636756  
sales@aristo-india.com  
244, KIADB, Phase 3, Bommasandra Industrial Estate  
Hosur Road, Bengaluru, Karnataka – 560099, India  
Website: aristo-india.com



For more information  
check out our website:

[aristo.com](https://aristo.com)

